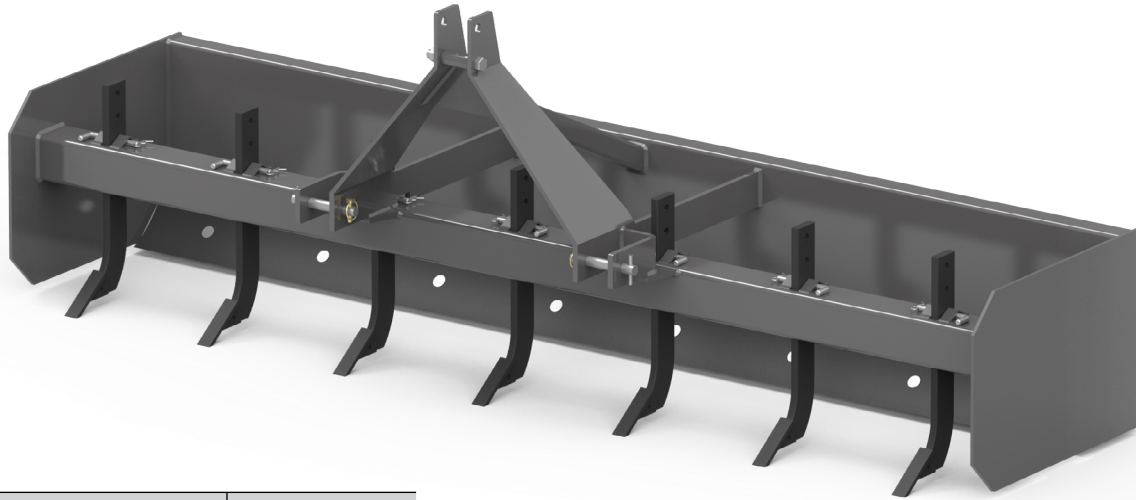
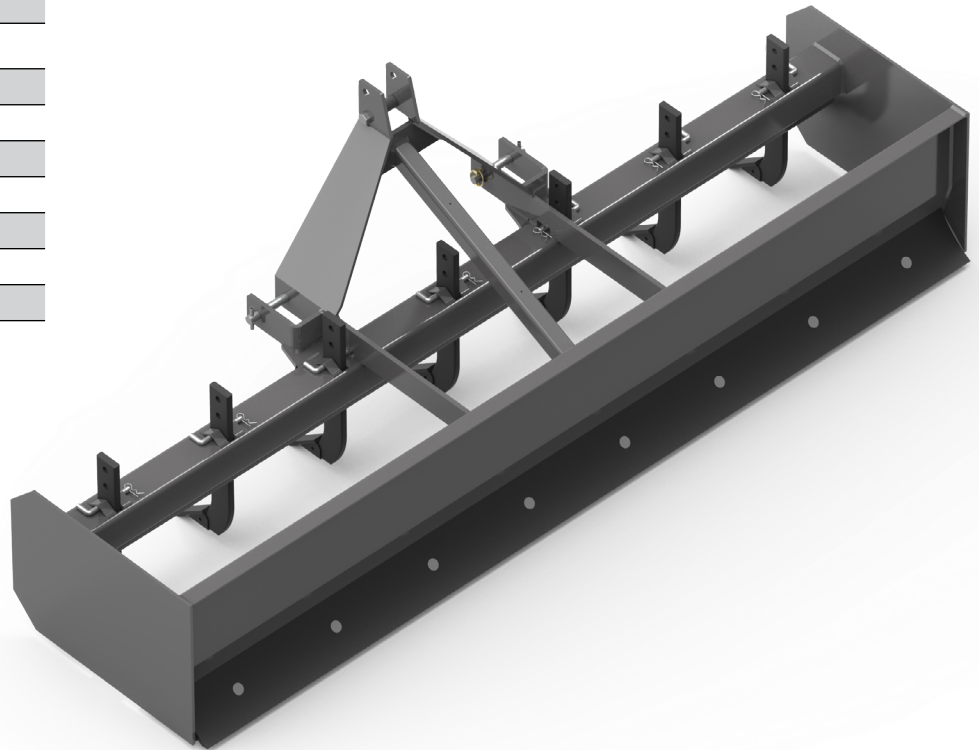


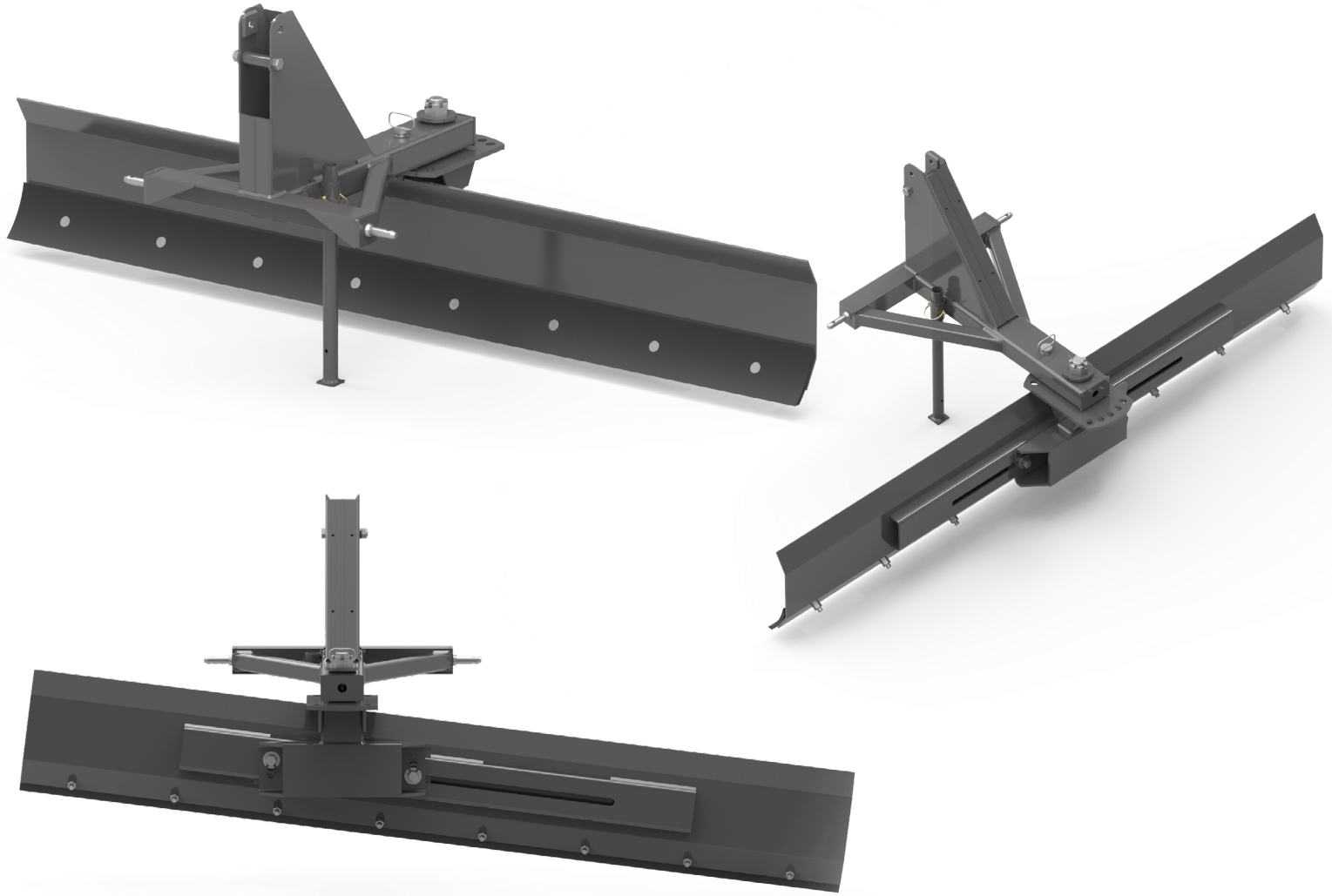
# 8' Box Blade



<b>Item#</b>	BB8MDID
<b>Tractor HP required</b>	60 max
<b>Approx. Weight</b>	611lb
<b>Working Width</b>	97"
<b>Height</b>	34"
<b>Height of Mold Board</b>	17"
<b>Depth of Bucket</b>	24"
<b>A-Frame Steel</b>	3/8"
<b>Hitch</b>	CAT1
<b>Quick Hitch Compatible</b>	yes
<b>Cutting Edges</b>	2
<b>Number of Shanks</b>	7
<b>Side Panels</b>	5/16"

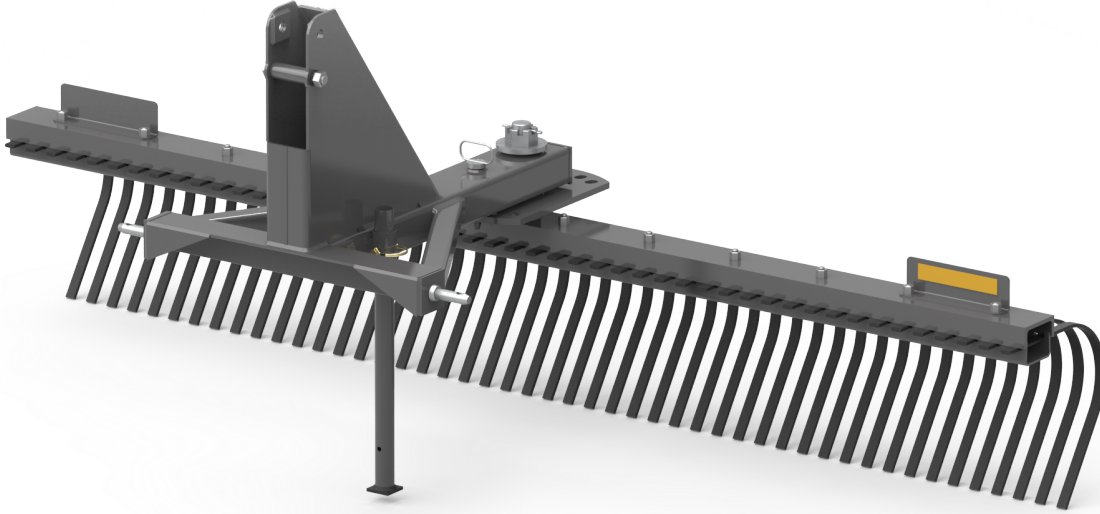


# 8' Angle Blade



<b>ITEM#</b>	GB8MDID
<b>HP REQUIRED</b>	20-60MAX
<b>APPROX. WEIGHT</b>	534LB
<b>WORKING WIDTH</b>	96"
<b>HEIGHT OF MOLDBOARD</b>	14.4"
<b>MOLD BOARD THICKNESS</b>	1/4"
<b>HITCH</b>	CAT1
<b>QUICK HITCH?</b>	YES
<b>CUTTING EDGES</b>	1
<b>ANGLING</b>	5 POSITION FORWARD AND BACKWARD 0, 15, 30DEGREES IN BOTH DIRECTIONS

# 8' Landscape Rake



Item#	LR8MDID
Hp Required	50 max
Approx. Weight	483lbs
Width	96"
Height	14,5"
Hitch	CAT1
Quick Hitch?	Yes
Number of Teeth	48
Teeth Spacing	1" apart, 2" on center
Angle and Position	5 Position forward and backward 0, 15, 30 degrees in both directions

