



# HAMMER POST DRIVER PRICE SHEET

## 1-Year Warranty

**⚠ WARNING** This product can expose you to chemicals known to the State of California to cause cancer and birth defects or other reproductive harm. For more information go to [www.P65Warnings.ca.gov/product](http://www.P65Warnings.ca.gov/product).

### TO PRICE A COMPLETE SYSTEM:

Hammer Model (pg. 1-2) \_\_\_\_\_

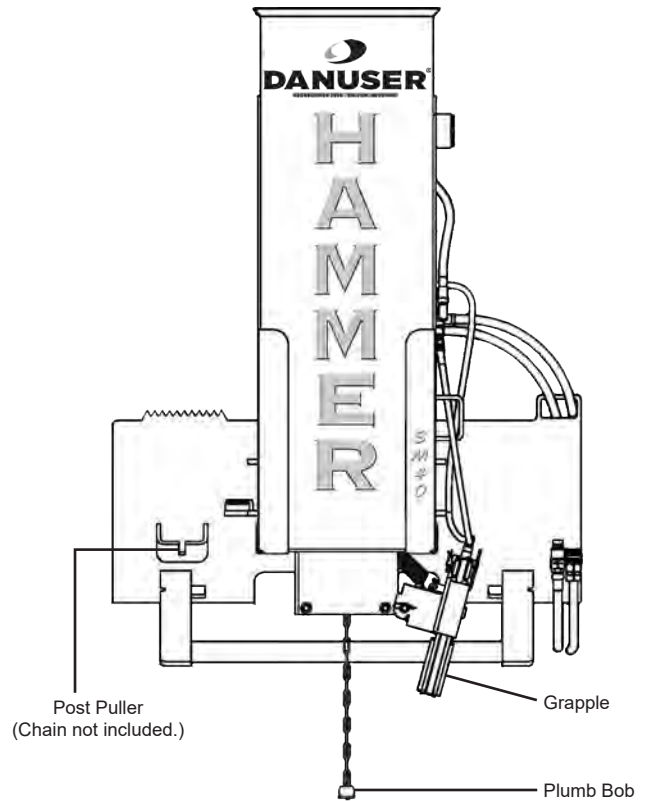
Optional Wiring Harness/  
Battery Wiring Harness (pg. 3) \_\_\_\_\_

Accessories (pg. 4) \_\_\_\_\_

Hose Kits (pg. 5) \_\_\_\_\_

Freight \_\_\_\_\_

**TOTAL** \_\_\_\_\_



### SKID-STEER MOUNT

PN	DESCRIPTION	WT.	PRICE
21000	<b>Hammer SM40</b> Hydraulic continuous chain drive, 300 lb. hammer weight (500 lbs. max.), 40" stroke, up to 35 strokes per minute, drives T-post up to railroad ties. Integrated post puller to be used with log chain. <b>Includes</b> hoses with 1/2" flush-face couplers (ISO 16028).	915	\$7,175.00
21000L	<b>Hammer SM40 Loaded</b> <b>Includes</b> factory-installed additional weight kit	1115	\$7,660.00
21001	<b>Hammer SM40 with Grapple</b> Grapple for one-man operation.	955	\$7,865.00
21001L	<b>Hammer SM40 with Grapple Loaded</b> <b>Includes</b> grapple and factory-installed additional weight kit	1155	\$8,350.00
21002	<b>Hammer SM40 with Tilt</b> Tilt left or right up to 20°. <b>Includes</b> diverter switch and cigarette lighter adapter that connects to a power port or cigarette lighter inside the cab.	1005	\$9,655.00
21002L	<b>Hammer SM40 with Tilt Loaded</b> <b>Includes</b> tilt and factory-installed additional weight kit	1205	\$10,145.00
21003	<b>Hammer SM40 with Grapple and Tilt</b>	1045	\$10,345.00
21003L	<b>Hammer SM40 with Grapple and Tilt Loaded</b> <b>Includes</b> grapple, tilt, and factory-installed additional weight kit	1245	\$10,835.00

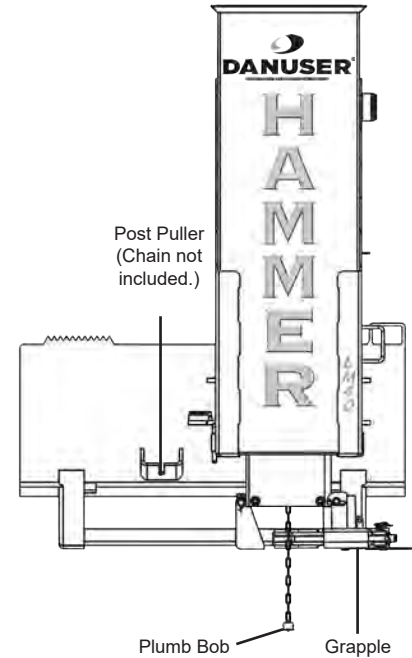
**NOTE:** If post/pipe diameter is 4" O.D. or smaller, PN 21212 or PN 21395 must be installed (see pg. 4).



## FRONT-END LOADER MOUNT - SKID-STEER QUICK ATTACH

For tractor-mounted Hammers, recommended 75 HP & above only. DO NOT exceed the tractor loader rated operating capacity. Use sufficient counterweights. See Front-End Loader Hose Kit, PN 196056 (pg. 5) to connect to rear tractor remotes.

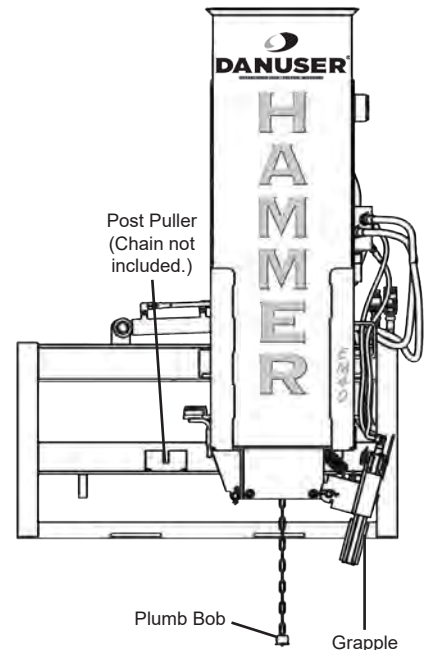
PN	DESCRIPTION	WT.	PRICE
21006	<b>Hammer LM40</b> Hydraulic continuous chain drive, 300 lb. hammer weight (500 lbs. max.), 40" stroke, up to 35 strokes per minute, drives T-post up to railroad ties. Integrated post puller to be used with log chain. <b>Includes</b> hoses with 1/2" flush-face couplers (ISO 16028).	948	\$7,310.00
21006L	<b>Hammer LM40 Loaded</b> <b>Includes</b> factory-installed additional weight kit	1148	\$7,800.00
21007	<b>Hammer LM40 with Grapple</b> Grapple for one-man operation.	991	\$8,000.00
21007L	<b>Hammer LM40 with Grapple Loaded</b> <b>Includes</b> grapple and factory-installed additional weight kit	1191	\$8,490.00
21008	<b>Hammer LM40 with Tilt</b> Tilt left or right up to 20°. <b>Includes</b> diverter switch and cigarette lighter adapter that connects to a power port or cigarette lighter inside the cab.	991	\$9,795.00
21008L	<b>Hammer LM40 with Tilt Loaded</b> <b>Includes</b> tilt and factory-installed additional weight kit	1191	\$10,285.00
21009	<b>Hammer LM40 with Grapple and Tilt</b>	1041	\$10,485.00
21009L	<b>Hammer LM40 with Grapple and Tilt Loaded</b> <b>Includes</b> grapple, tilt, and factory-installed additional weight kit	1241	\$10,975.00



NOTE: If post/pipe diameter is 4" O.D. or smaller, PN 21212 or PN 21395 must be installed (see pg. 4).

## FRONT-END LOADER MOUNT - EURO/GLOBAL QUICK ATTACH

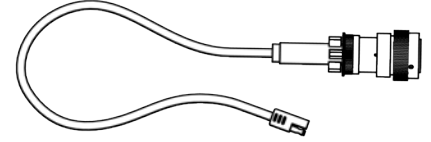
PN	DESCRIPTION	WT.	PRICE
21010	<b>Hammer EM40</b> Hydraulic continuous chain drive, 300 lb. hammer weight (500 lbs. max.), 40" stroke, up to 35 strokes per minute, drives T-post up to railroad ties. Integrated post puller to be used with log chain. <b>Includes</b> hoses with 1/2" flush-face couplers (ISO 16028).	948	\$7,410.00
21010L	<b>Hammer EM40 Loaded</b> <b>Includes</b> factory-installed additional weight kit	1148	\$7,900.00
21011	<b>Hammer EM40 with Grapple</b> Grapple for one-man operation.	991	\$8,100.00
21011L	<b>Hammer EM40 with Grapple Loaded</b> <b>Includes</b> grapple and factory-installed additional weight kit	1191	\$8,590.00
21012	<b>Hammer EM40 with Tilt</b> Tilt left or right up to 20°. <b>Includes</b> diverter switch and cigarette lighter adapter that connects to a power port or cigarette lighter inside the cab.	991	\$9,900.00
21012L	<b>Hammer EM40 with Tilt Loaded</b> <b>Includes</b> tilt and factory-installed additional weight kit	1191	\$10,390.00
21013	<b>Hammer EM40 with Grapple and Tilt</b>	1041	\$10,590.00
21013L	<b>Hammer EM40 with Grapple and Tilt Loaded</b> <b>Includes</b> grapple, tilt, and factory-installed additional weight kit	1241	\$11,080.00



**OPTIONAL WIRING HARNESSES**

For skid-steers equipped with attachment electrical connection only. Allows Hammer tilt function operation from vehicle joystick controls. 12" length. Replaces 12-volt auxiliary power port plug on SM40.

PN	DESCRIPTION	WT.	PRICE
21220-1	<b>Wiring Harness 8-Pin</b> Used on ASV, Caterpillar, Komatsu, Terex	2	\$192.00
21220-2	<b>Wiring Harness 14-pin</b> Used on Bobcat (prior to 1999), Case, JCB, Kubota, New Holland, Takeuchi, Volvo, Kiota	2	\$192.00
21220-3	<b>Wiring Harness 14-pin Deere</b> Used on John Deere	2	\$192.00
21220-4	<b>Wiring Harness 14-pin Caterpillar</b> Used on Caterpillar	2	\$192.00
21220-5	<b>Wiring Harness 14-pin</b> Used on Bobcat (1999 and current), Gehl	2	\$192.00
*21220-U1	<b>Wiring Harness 8-pin</b> Universal wiring harness. Contacts are crimped on wire but not installed in connector.	2	\$192.00
*21220-U2	<b>Wiring Harness 14-pin</b> Universal wiring harness. Contacts are crimped on wire but not installed in connector.	2	\$192.00

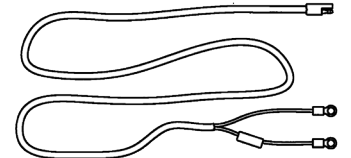


Danuser Machine Company, LLC takes care to ensure the accuracy of the information contained in this price sheet. We assume no liability for errors contained herein. It is the responsibility of the installer to ensure that all of the products are correct before installation. Proper assembly always requires that the installer use all instructions and safety procedures. We assume no liability for any errors made in product selection or installation.

\* Requires connector contacts be installed in a switchable +12 V pin location and ground pin location. Mapping of skid-steer connector pins required.

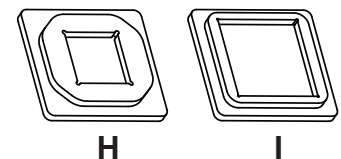
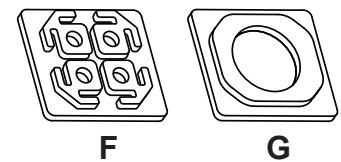
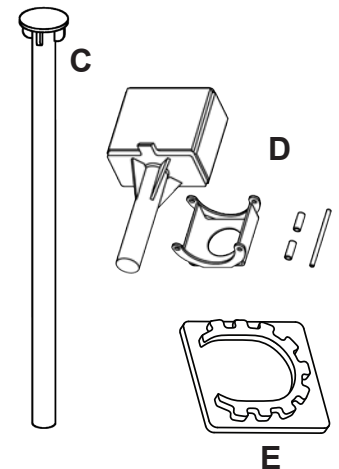
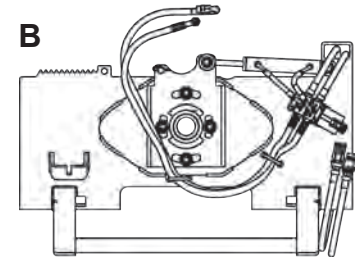
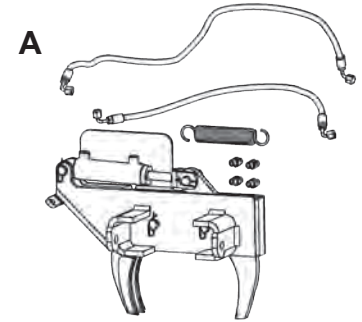
**BATTERY WIRING HARNESS**

PN	DESCRIPTION	WT.	PRICE
21253	<b>Wiring Harness - Battery Connection</b> Connects to vehicle battery to supply power for tilt function. Replaces auxiliary power port plug on SM40, LM40, or EM40 standard harness.	2	\$63.00



**ACCESSORIES**

REF.	PN	DESCRIPTION	WT.	PRICE
A	21004	<b>SM40 Grapple</b> Grapple for one-person operation, for SM40 Hammers only.	65	\$828.00
--	21014	<b>EM40 / LM40 Grapple</b> Grapple for one-person operation, for EM40 & LM40 Hammers only.	65	\$828.00
B	21005	<b>SM40 Tilt</b> May be added to SM40 Hammers only. Tilt left or right up to 20°. <b>Includes</b> diverter switch and cigarette lighter adapter that connects to a power port or cigarette lighter inside the cab.	200	\$2,662.00
--	21015	<b>LM40 Tilt</b> May be added to LM40 Hammers only. Tilt left or right up to 20°. <b>Includes</b> diverter switch and cigarette lighter adapter that connects to a power port or cigarette lighter inside the cab.	200	\$2,662.00
--	21016	<b>EM40 Tilt</b> May be added to EM40 Hammers only. Tilt left or right up to 20°. <b>Includes</b> diverter switch and cigarette lighter adapter that connects to a power port or cigarette lighter inside the cab.	195	\$2,894.00
C	21149	<b>T-Post Adapter</b> Must be added for driving T-posts.	22	\$173.00
D	21278	<b>Concrete Breaker Kit</b> May be added to all Hammer models to convert to a concrete breaker. Breaks up to 9" thick reinforced concrete. <b>Includes</b> 500 lb. breaker attachment, foot, and additional hardware for assembling.	534	\$2,467.00
E	21212	<b>Strike Plate - Horseshoe</b> Useful for driving smaller diameter pipe in difficult conditions. Aids in keeping the post centered in driver and reduces wear and tear on machine. Does not interfere with operation of the grapple. Works with posts 5" diameter and smaller including T-post adapter.	20	\$87.00
F	21280	<b>Strike Plate - Guard Rail</b> Recommended when driving 6" or 8" I beams. Aids in keeping the guard rail from twisting and shifting. Does not work with grapple.	20	\$100.00
G	21395	<b>Strike Plate - 5" Donut</b> In difficult driving conditions, more effective than Horseshoe Strike Plate in centering pipe. Reduces wear and tear on machine. Makes grappling of pipe more challenging. Works best with a helper to position pipe in Hammer. Preferred by fencing professionals. Works with posts 5" diameter and smaller including T-post adapter.	25	\$87.00
H	180005	<b>Strike Plate - 4" Square</b> Recommended when driving 4" square wood posts.	20	\$87.00
I	180007	<b>Strike Plate - 6" Square</b> Recommended when driving 6" square wood posts.	20	\$87.00
--	21163	<b>Additional Weight Kit</b> Add steel shot for additional driving force. (Up to 60% more power.)	200	\$421.00





**HOSE KITS**

PN	DESCRIPTION	WT.	PRICE
196056	<b>Front-End Loader Hose Kit</b> 1/2" hoses, 25' long, with 1/2" flush-face couplers (ISO 16028) on one end to connect to Hammer hoses, and ISO 7241 Series A couplers (compatible with ISO 5675 Pioneer couplers) on the opposite end to connect to tractor rear remotes. <b>Includes</b> bolt-on/weld-on mounting bracket.	18	\$482.00
186065	<b>Hose Extension Kit</b> Extends Hammer hoses 24" when needed on certain skid-steers (e.g. JCB, Volvo). <b>Includes</b> two 24" hoses and fittings.	3	\$70.00

**REPAIR PARTS & SAFETY SIGNS**

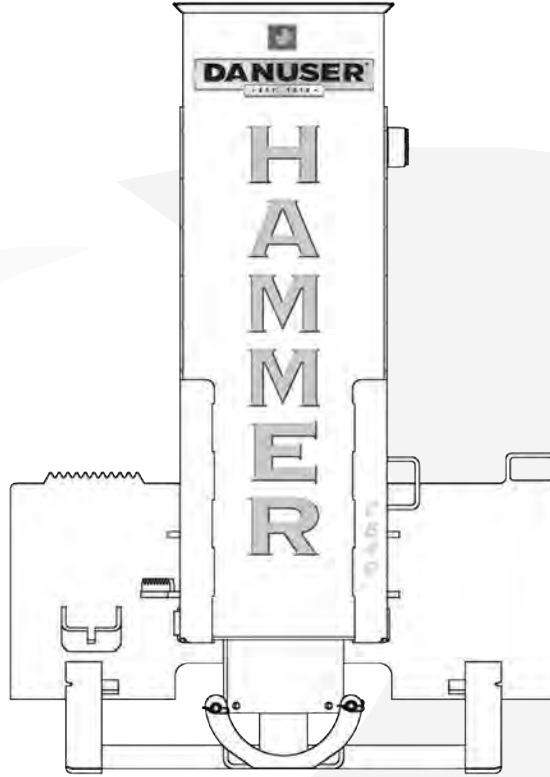
To find repair parts and safety signs, see Danuser's online Parts Catalog at [parts.danuser.com](http://parts.danuser.com).  
 The Parts Catalog includes all current attachment parts and decals in a user-friendly, accessible, and portable format.  
 Be sure to have model and serial number at hand to find the correct items.



# HAMMER CB40 PRICE SHEET

## 1-Year Warranty

**⚠ WARNING** This product can expose you to chemicals known to the State of California to cause cancer and birth defects or other reproductive harm. For more information go to [www.P65Warnings.ca.gov/product](http://www.P65Warnings.ca.gov/product).



PN	DESCRIPTION	WT.	PRICE
21017	<b>Hammer CB40 Concrete Breaker</b> Hydraulic continuous chain drive, 500 lb. hammer weight, 40" stroke, up to 35 strokes per minute. Can break up to 9" thick reinforced concrete. <b>Includes</b> 96" length hoses with 1/2" flush-face couplers (ISO 16028).	1,146	\$8,075.00

## REPAIR PARTS & SAFETY SIGNS

To find repair parts and safety signs, see Danuser's online Parts Catalog at [parts.danuser.com](http://parts.danuser.com).  
 The Parts Catalog includes all current attachment parts and decals in a user-friendly, accessible, and portable format.  
 Be sure to have model and serial number at hand to find the correct items.

F.O.B. FULTON, MISSOURI  
 Dollars are U.S. Dollars.

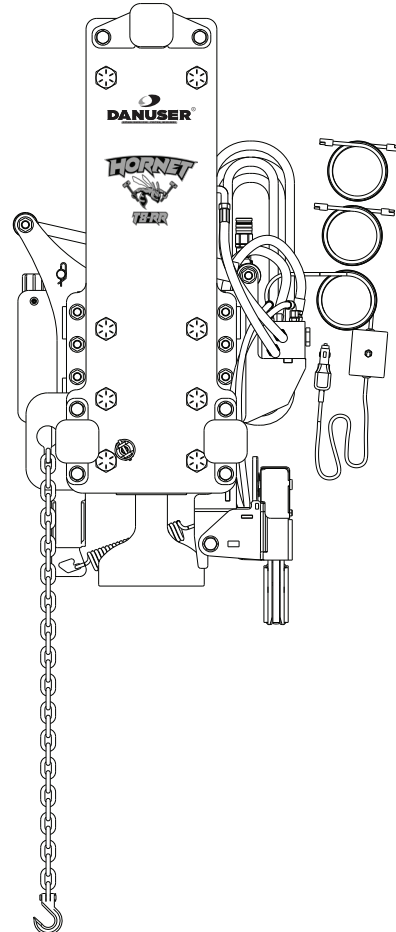
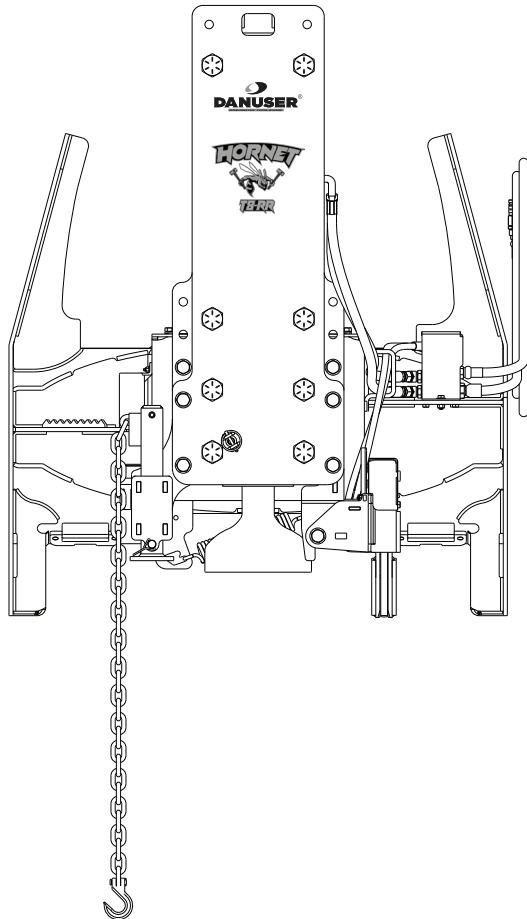
Danuser reserves the right to make changes in design, specifications, and prices without notice and without incurring any obligation relating to such changes.



# HORNET POST DRIVER PRICE SHEET

## 1-Year Warranty

**⚠ WARNING** This product can expose you to chemicals known to the State of California to cause cancer and birth defects or other reproductive harm. For more information go to [www.P65Warnings.ca.gov/product](http://www.P65Warnings.ca.gov/product).



Model	Hydraulic Requirements	Impact Rate
T7	2,000 - 3,500 PSI 10 - 30 GPM	500-900 strikes/ minute
T8-RR	2,200 - 3,500 PSI 13 - 30 GPM	400-800 strikes/ minute

### TO PRICE A COMPLETE SYSTEM:

- Hornet Model (pg. 2-3) \_\_\_\_\_
- Driving Tool(s) (pg. 3) \_\_\_\_\_
- Mount - Backhoe & Excavator Models Only (pg. 4) \_\_\_\_\_
- Optional Wiring Harness/  
Battery Wiring Harness (pg. 5) \_\_\_\_\_
- Accessories (pg. 5-6) \_\_\_\_\_
- Freight \_\_\_\_\_

### INCLUDED WITH ALL HORNETS

PN	DESCRIPTION
216003	<b>Post Pulling/Depth Gauge Chain</b> Chain that can be used for post pulling, leveling, and as a depth gauge. 84" length.
206101	<b>Filled Nitrogen Bottle</b>
206102	<b>Nitrogen Gas Charging Kit</b>

**TOTAL** \_\_\_\_\_



**SKID-STEER MOUNT**

**Not for Front-End Loaders.**  
**Does NOT include driving tool. See pg. 3 for driving tool options.**

PN	DESCRIPTION	WT.	PRICE
214050	<b>Hornet T7</b> Hydraulic jackhammer style driver drives T-post up to 7" diameter posts. Integrated post puller. <b>Includes</b> high abrasion resistant hoses and hose fittings with 1/2" flush-face couplers (ISO 16028). <b>Does NOT include</b> driving tool. See pg. 3 for driving tool options.	1,290	\$9,345.00
214050L	<b>Hornet T7 Loaded</b> <b>Includes</b> factory-installed additional weight kit. Increases driving speed up to 50% faster than base unit. <b>Does NOT include</b> driving tool. See pg. 3 for driving tool options.	1,906	\$10,800.00
214051	<b>Hornet T7 with Grapple</b> Grapple for one-person operation. <b>Does NOT include</b> driving tool. See pg. 3 for driving tool options.	1,410	\$10,400.00
214051L	<b>Hornet T7 with Grapple Loaded</b> <b>Includes</b> grapple and factory-installed additional weight kit. Increases driving speed up to 50% faster than base unit. <b>Does NOT include</b> driving tool. See pg. 3 for driving tool options.	2,026	\$11,855.00
214052	<b>Hornet T7 with Tilt</b> Tilt left or right up to 20°. <b>Includes</b> diverter switch and plug adapter that connects to a 12-volt auxiliary power outlet inside the cab. <b>Does NOT include</b> driving tool. See pg. 3 for driving tool options.	1,425	\$13,015.00
214052L	<b>Hornet T7 with Tilt Loaded</b> <b>Includes</b> tilt and factory-installed additional weight kit. <b>Does NOT include</b> driving tool. See pg. 3 for driving tool options.	2,041	\$14,160.00
214053	<b>Hornet T7 with Grapple and Tilt</b> <b>Does NOT include</b> driving tool. See pg. 3 for driving tool options.	1,535	\$14,165.00
214053L	<b>Hornet T7 with Grapple and Tilt Loaded</b> <b>Includes</b> grapple, tilt, and factory-installed additional weight kit. <b>Does NOT include</b> driving tool. See pg. 3 for driving tool options.	2,151	\$15,310.00

PN	DESCRIPTION	WT.	PRICE
214100	<b>Hornet T8-RR</b> Hydraulic jackhammer style driver drives T-posts up to 8" diameter posts. Integrated post puller. <b>Includes</b> high abrasion resistant hoses and hose fittings with 1/2" flush-face couplers (ISO 16028). <b>Does NOT include</b> driving tool. See pg. 3 for driving tool options.	1,485	\$10,131.00
214100L	<b>Hornet T8-RR Loaded</b> <b>Includes</b> factory-installed additional weight kit. Increases driving speed up to 50% faster than base unit. <b>Does NOT include</b> driving tool. See pg. 3 for driving tool options.	2,101	\$11,586.00
214101	<b>Hornet T8-RR with Grapple</b> Grapple for one-person operation. <b>Does NOT include</b> driving tool. See pg. 3 for driving tool options.	1,615	\$11,186.00
214101L	<b>Hornet T8-RR with Grapple Loaded</b> <b>Includes</b> grapple and factory-installed additional weight kit. Increases driving speed up to 50% faster than base unit. <b>Does NOT include</b> driving tool. See pg. 3 for driving tool options.	2,231	\$12,641.00
214102	<b>Hornet T8-RR with Tilt</b> Tilt left or right up to 20°. <b>Includes</b> diverter switch and plug adapter that connects to a 12-volt auxiliary power outlet inside the cab. <b>Does NOT include</b> driving tool. See pg. 3 for driving tool options.	1,590	\$13,801.00
214102L	<b>Hornet T8-RR with Tilt Loaded</b> <b>Includes</b> tilt and factory-installed additional weight kit. <b>Does NOT include</b> driving tool. See pg. 3 for driving tool options.	2,206	\$14,946.00
214103	<b>Hornet T8-RR with Grapple and Tilt</b> <b>Does NOT include</b> driving tool. See pg. 3 for driving tool options.	1,710	\$14,951.00
214103L	<b>Hornet T8-RR with Grapple and Tilt Loaded</b> <b>Includes</b> grapple, tilt, and factory-installed additional weight kit. <b>Does NOT include</b> driving tool. See pg. 3 for driving tool options.	2,326	\$16,096.00

**BACKHOE & EXCAVATOR MOUNT**

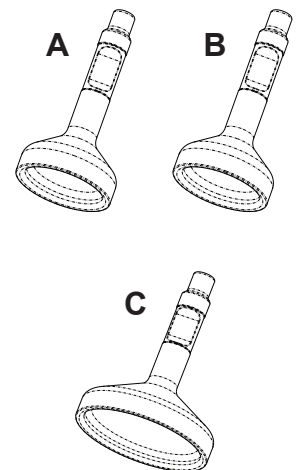
Does NOT include driving tool. See Hornet Driving Tools table below for driving tool options.  
Does NOT include mount. See pg. 4 for mounts.

PN	DESCRIPTION	WT.	PRICE
214054	<b>Hornet T7 - (Rated for Excavator weight 9,000 lb. and over)</b> Hydraulic jackhammer style driver drives T-post up to 7" diameter posts. Integrated post puller. <b>Includes</b> high abrasion resistant hoses and hose fittings with 1/2" flush-face couplers (ISO 16028). <b>Does NOT include</b> driving tool. See table below for driving tool options.	975	\$8,365.00
214055	<b>Hornet T7 with Grapple</b> Grapple for one-person operation. <b>Does NOT include</b> driving tool. See table below for driving tool options.	1,110	\$9,515.00
214056	<b>Hornet T7 with Tilt</b> Tilt left or right up to 20°. <b>Includes</b> diverter switch and plug adapter that connects to a 12-volt auxiliary power outlet inside the cab. <b>Does NOT include</b> driving tool. See table below for driving tool options.	1,100	\$11,395.00
214057	<b>Hornet T7 with Grapple and Tilt</b> <b>Does NOT include</b> driving tool. See table below for driving tool options.	1,235	\$12,575.00

PN	DESCRIPTION	WT.	PRICE
214104	<b>Hornet T8-RR - (Rated for Excavator weight 13,500 lb. and over)</b> Hydraulic jackhammer style driver drives T-posts up to 8" diameter posts. Integrated post puller. <b>Includes</b> high abrasion resistant hoses and hose fittings with 1/2" flush-face couplers (ISO 16028). <b>Does NOT include</b> driving tool. See table below for driving tool options.	1,150	\$9,151.00
214105	<b>Hornet T8-RR with Grapple</b> Grapple for one-person operation. <b>Does NOT include</b> driving tool. See table below for driving tool options.	1,275	\$10,301.00
214106	<b>Hornet T8-RR with Tilt</b> Tilt left or right up to 20°. <b>Includes</b> diverter switch and plug adapter that connects to a 12-volt auxiliary power outlet inside the cab. <b>Does NOT include</b> driving tool. See table below for driving tool options.	1,285	\$12,211.00
214107	<b>Hornet T8-RR with Grapple and Tilt</b> <b>Does NOT include</b> driving tool. See table below for driving tool options.	1,410	\$13,361.00

**DRIVING TOOLS**

REF.	PN	DESCRIPTION	WT.	PRICE
A	196067F	<b>T7 Flat Driving Tool</b> 7.27" I.D. Generally used for wood posts up to 7" diameter.	59	\$635.00
B	196067	<b>T7 Domed Driving Tool</b> 7.27" I.D. Suitable for all types of posts up to 7" diameter. Facilitates post centering during driving. Be aware it may deform wood posts.	56	\$635.00
--	196074F	<b>T8-RR Flat Driving Tool</b> 8.27" I.D. Generally used for wood posts up to 8" diameter.	78	684.00
--	196074	<b>T8-RR Domed Driving Tool</b> 8.27" I.D. Suitable for all types of posts up to 8" diameter. Facilitates post centering during driving. Be aware it may deform wood posts.	74	\$684.00
C	196074R	<b>T8-RR Railroad Tie Flat Driving Tool</b> 12.3" I.D. Generally used for 7" x 9" rail road ties or other posts up to 12" diameter.	138	\$1,494.00





**BACKHOE & EXCAVATOR QUICK ATTACH MOUNTING KITS**

**BACKHOE**

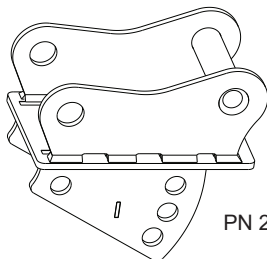
PN	MAKES & MODELS	WT.	PRICE
230332	CAT 420D, 420E (PIN GRABBER)	100	\$695.00
230330	CASE 580 SUPER L SERIES 1&2	100	\$595.00
230328	JD 310, 410 (FITS ALL SERIES EXCEPT G)	80	\$395.00

**EXCAVATOR**

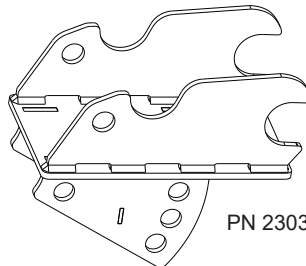
\* USA models only. Will not fit gray market machines.

PN	MAKES & MODELS	WT.	PRICE
200052	BOBCAT X-CHANGE	55	\$495.00
240090	BOBCAT E85	85	\$395.00
240088	CASE CX80	80	\$395.00
230336	CAT 304E, E2	55	\$295.00
230334	CAT 305.5E, 304C CR	65	\$395.00
200150	CAT 308, 309	80	\$395.00
190029	JD 26D, 26G, 26P, 30D, 30G, 30P, 35D, 35G, 35P (WEDGE)	55	\$295.00
200050	JD 50D, 50G, 50P, 60D, 60G, 60P (WEDGE), HITACHI ZX50	70	\$395.00
*230320	KUBOTA KX057, U55, U48	80	\$295.00
*200048	KUBOTA KX080	60	\$395.00
*230322	KUBOTA KX161-3, U45	75	\$295.00
*200046	KUBOTA KX040, KX91-3, KX121-3	60	\$295.00
240092	SANY SY60	70	\$395.00
230324	TAG PIN GRAPPER STYLE (QUICK COUPLER)	65	\$395.00
200057	TAG QC27 STYLE (QUICK COUPLER)	55	\$295.00
200060	TAG QC30 STYLE (QUICK COUPLER)	75	\$595.00
230326	TAKEUCHI TB250 (PIN GRABBER)	65	\$395.00
200113	YANMAR VIO45, VIO50, VIO55 (QUICK COUPLER)	70	\$295.00
240074	YANMAR VIO80, SV100 (QUICK COUPLER)	74	\$395.00
200136	BLANK UNIVERSAL MOUNT	60	\$215.00

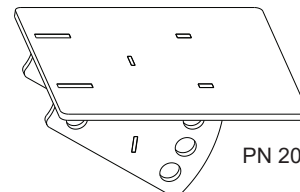
If you do not see your make or model listed, contact Danuser.



PN 230328



PN 230320



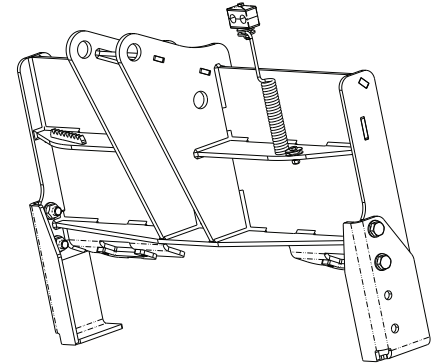
PN 200136



## SKID-STEER MOUNT FOR BACKHOE & EXCAVATOR HORNETS

The mount allows for the Backhoe & Excavator-style Hornets to be used on CTL/Skid-Steers.

**Includes** hose holder spring kit, adjustable feet, and hardware.

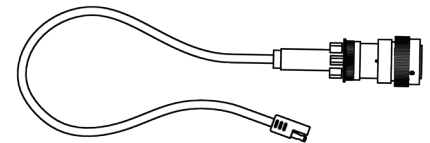


PN	WT.	PRICE
240289	202	\$750.00

## OPTIONAL WIRING HARNESSES

Allows Hornet tilt function operation from vehicle joy stick controls. 12" length. Replaces 12-volt auxiliary power port plug on T7 and T8-RR standard harness.

PN	DESCRIPTION	WT.	PRICE
21220-1	<b>Wiring Harness 8-Pin</b> Used on ASV, Caterpillar, Komatsu, Terex	2	\$192.00
21220-2	<b>Wiring Harness 14-pin</b> Used on Bobcat (prior to 1999), Case, JCB, Kubota, New Holland, Takeuchi, Volvo	2	\$192.00
21220-3	<b>Wiring Harness 14-pin Deere</b> Used on John Deere	2	\$192.00
21220-4	<b>Wiring Harness 14-pin Caterpillar</b> Used on Caterpillar	2	\$192.00
21220-5	<b>Wiring Harness 14-pin</b> Used on Bobcat (1999 and current), Gehl	2	\$192.00
*21220-U1	<b>Wiring Harness 8-pin</b> Universal wiring harness. Contacts are crimped on wire but not installed in connector.	2	\$192.00
*21220-U2	<b>Wiring Harness 14-pin</b> Universal wiring harness. Contacts are crimped on wire but not installed in connector.	2	\$192.00

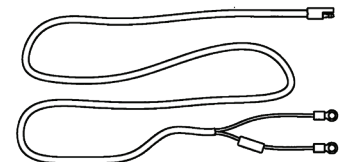


Danuser takes care to ensure the accuracy of the information contained in this price sheet. We assume no liability for errors contained herein. It is the responsibility of the installer to ensure that all of the products are correct before installation. Proper assembly always requires that the installer use all instructions and safety procedures. We assume no liability for any errors made in product selection or installation.

**\* Requires connector contacts be installed in a switchable +12 V pin location and ground pin location. Mapping of skid-steer connector pins required.**

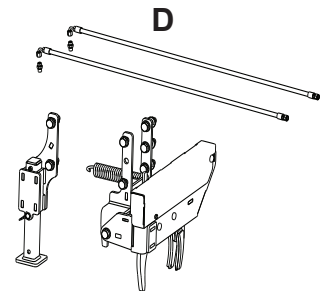
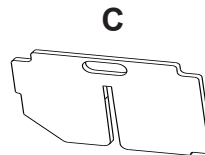
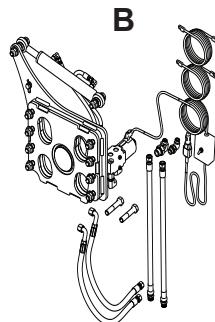
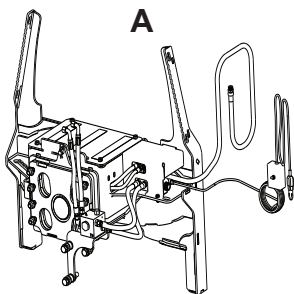
## BATTERY WIRING HARNESS

PN	DESCRIPTION	WT.	PRICE
21253	<b>Wiring Harness - Battery Connection</b> Connects to vehicle battery to supply power for tilt function. Replaces 12-volt auxiliary power port plug on T7 or T8-RR standard harness.	2	\$63.00



**ACCESSORIES**

REF.	PN	DESCRIPTION	WT.	PRICE
A	214200	<b>T7 Skid-Steer Tilt Kit</b> Tilt left or right up to 20°. May be added to T7 Hornet only. <b>Includes</b> diverter switch and plug adapter that connects to a 12-volt auxiliary power outlet inside the cab.	675	\$5,680.00
B	214202	<b>T7 Backhoe &amp; Excavator Tilt Kit</b> Tilt left or right up to 20°. May be added to T7 Hornet only. <b>Includes</b> diverter switch and plug adapter that connects to a 12-volt auxiliary power outlet inside the cab.	170	\$3,120.00
--	214205	<b>T8-RR Skid-Steer Tilt Kit</b> Tilt left or right up to 20°. May be added to T8-RR Hornet only. <b>Includes</b> diverter switch and plug adapter that connects to a 12-volt auxiliary power outlet inside the cab.	675	\$5,680.00
--	214207	<b>T8-RR Backhoe &amp; Excavator Tilt Kit</b> Tilt left or right up to 20°. May be added to T8-RR Hornet only. <b>Includes</b> diverter switch and plug adapter that connects to a 12-volt auxiliary power outlet inside the cab.	170	\$3,120.00
C	200076	<b>Additional Weight Kit - Non-Tilt Hornets</b> Add up to 14 weight plates for reduced vibration and more efficient driving. 1 weight = 44 lb., 14 weights = 616 lb. Increases driving speed up to 50% faster than base unit.	616	\$1,450.00
--	214201	<b>Additional Weight Kit - Tilt Hornets</b> Add up to 11 weight plates for reduced vibration and more efficient driving. 1 weight = 44 lb., 11 weights = 484 lb. Tilt intermediate weldment and additional tilt components (included with Hornet Driver) = 132 lb. Increases driving speed up to 50% faster than base unit.	484	\$1,140.00
D	210040	<b>T7 Skid-Steer Grapple Kit - Non-Tilt Hornets</b> Grapple for one-person operation, for skid-steer Hornet T7 models without tilt only.	122	\$1,101.00
--	214203	<b>T7 Skid-Steer Grapple Kit - Tilt Hornets</b> Grapple for one-person operation, for skid-steer Hornet T7 models with tilt only.	150	\$1,150.00
--	214204	<b>T7 Backhoe &amp; Excavator Grapple Kit</b> Grapple for one-person operation, for backhoe & excavator Hornet T7 models only.	130	\$1,150.00
--	210041	<b>T8-RR Skid-Steer Grapple Kit - Non-Tilt Hornets</b> Grapple for one-person operation, for skid-steer Hornet T8-RR models without tilt only.	122	\$1,101.00
--	214208	<b>T8-RR Skid-Steer Grapple Kit - Tilt Hornets</b> Grapple for one-person operation, for skid-steer Hornet T8-RR models with tilt only.	150	\$1,150.00
--	214209	<b>T8-RR Backhoe &amp; Excavator Grapple Kit</b> Grapple for one-person operation, for backhoe & excavator Hornet T8-RR models only.	130	\$1,150.00

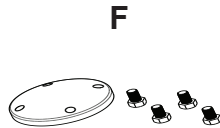




**ACCESSORIES CONT'D**

\* NOTE: When storing Skid-mounted Hornets, the driving tool must be re-installed.

REF.	PN	DESCRIPTION	WT.	PRICE
E	21149	<b>T-Post Adapter</b> Must be added for driving T-posts. Can only be used with a flat bottom driving tool.	22	\$173.00
F	220011	<b>T-Post Adapter Domed Driving Tool Kit</b> Must be added to PN 21149 for driving T-Posts with a domed driving tool.	5	\$75.00
G	*236080	<b>T7 Concrete Breaker Tool Kit</b> For use on all versions of T7 Hornets to break rock and reinforced concrete. Tool has amoil style point.	40	\$150.00
--	*236082	<b>T8-RR Concrete Breaker Tool Kit</b> For use on all versions of T8-RR Hornets to break rock and reinforced concrete. Tool has amoil style point.	50	\$175.00
H	*236090	<b>T8-RR Rock Spike Tool</b> For use on all versions of T8-RR Hornets. Use to create pilot holes for wooden posts in rocky areas. Overall length 60".	155	\$655.00



**REPAIR PARTS & SAFETY SIGNS**

To find repair parts and safety signs, see Danuser's online Parts Catalog at [parts.danuser.com](http://parts.danuser.com).  
 The Parts Catalog includes all current attachment parts and decals in a user-friendly, accessible, and portable format.  
 Be sure to have model and serial number at hand to find the correct items.

F.O.B. FULTON, MISSOURI  
 Dollars are U.S. Dollars.

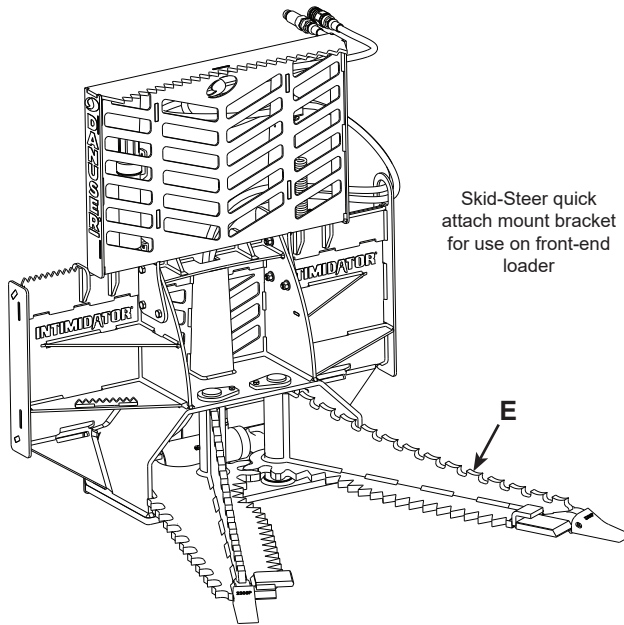
Danuser reserves the right to make changes in design, specifications, and prices without notice and without incurring any obligation relating to such changes.



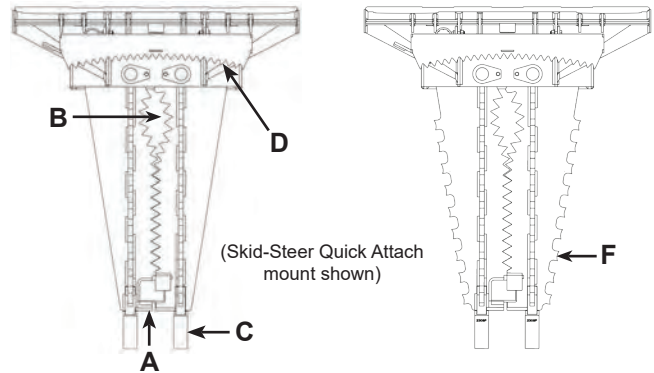
# INTIMIDATOR PRICE SHEET

## 1-Year Warranty

**⚠ WARNING** This product can expose you to chemicals known to the State of California to cause cancer and birth defects or other reproductive harm. For more information go to [www.P65Warnings.ca.gov/product](http://www.P65Warnings.ca.gov/product).



Skid-Steer quick attach mount bracket for use on front-end loader



- A. Interlocking jaws for digging & prying
- B. Tapered jaw opening maximizes pulling force on larger objects
- C. Excavator bucket teeth for digging & prying
- D. Teeth on brush guard reduce movement of objects
- E. Top bidirectional saw teeth to cut roots of large trees & stumps
- F. Side bidirectional saw teeth for cutting trees. Provides a more aggressive design (models ending in "T" only)

Intimidator has a 34" maximum jaw opening and maximum cylinder force of 21,000 lbs.

It includes synchronized interlocking jaws with excavator bucket teeth designed for digging, prying, and sawing. Additionally, it has a brush guard and fully-protected 138" hydraulic hoses with 1/2" flush-face couplers (ISO 16028).

The maximum horsepower rating for this equipment is 125 HP.

STANDARD PN	SIDE SAW TOOTH PN	DESCRIPTION	WT.	STANDARD PRICE	SIDE SAW TOOTH PRICE
12200	12200T	<b>Intimidator Skid-Steer Quick Attach Mount</b>	725	\$4,320.00	\$4,610.00
12200CSE	12200CSET	<b>Intimidator Skid-Steer Quick Attach Mount</b> Fits Case model 1840	695	\$4,575.00	\$4,860.00
12201	12201T	<b>Intimidator Euro/Global Quick Attach Mount</b>	745	\$4,545.00	\$4,830.00
12200F	12200FT	<b>Intimidator Flat Back</b> For custom fabrication to fit other mount styles	805	\$4,790.00	\$5,075.00



**FRONT-END LOADER HOSE KIT**

PN	DESCRIPTION	WT.	PRICE
196056	<b>Front-End Loader Hose Kit</b> 1/2" hoses, 25' long, with 1/2" flush-face couplers (ISO 16028) on one end to connect to Intimidator hoses, and ISO 7241 Series A couplers (compatible with ISO 5675 Pioneer couplers) on the opposite end to connect to tractor rear remotes. <b>Includes</b> bolt-on/weld-on mounting bracket.	27	\$482.00

**REPAIR PARTS & SAFETY SIGNS**

To find repair parts and safety signs, see Danuser's online Parts Catalog at [parts.danuser.com](http://parts.danuser.com).

The Parts Catalog includes all current attachment parts and decals in a user-friendly, accessible, and portable format.

Be sure to have model and serial number at hand to find the correct items.

F.O.B. FULTON, MISSOURI

Dollars are U.S. Dollars.

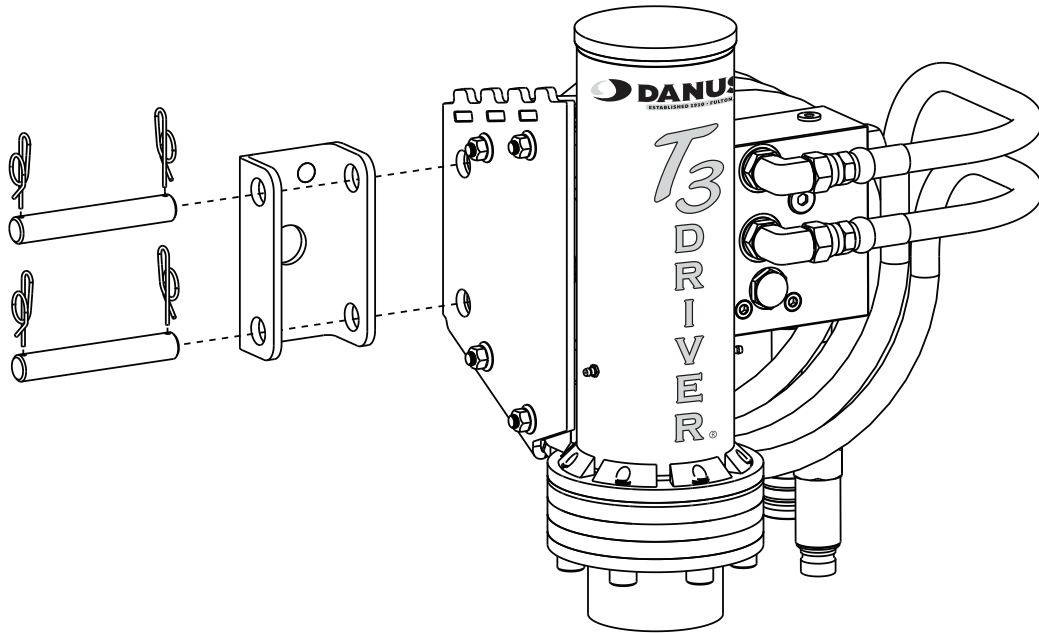
Danuser reserves the right to make changes in design, specifications, and prices without notice and without incurring any obligation relating to such changes.



# T3 DRIVER PRICE SHEET

## 1-Year Warranty

**⚠ WARNING** This product can expose you to chemicals known to the State of California to cause cancer and birth defects or other reproductive harm. For more information go to [www.P65Warnings.ca.gov/product](http://www.P65Warnings.ca.gov/product).



PN	DESCRIPTION	WT.	PRICE
21300	<p><b>T3 Driver with Bracket</b>            Impact force of 2,000 lb. per strike, 6 strikes per second, drives T-post up to 3" O.D. pipe. Bracket can be bolted or welded to a vertical flat surface. Bracket hardware not included.</p> <p><b>Includes</b> 7' length hoses with 1/2" flush-face couplers (ISO 16028).</p>	100	\$2,305.00

### TO PRICE A COMPLETE SYSTEM:

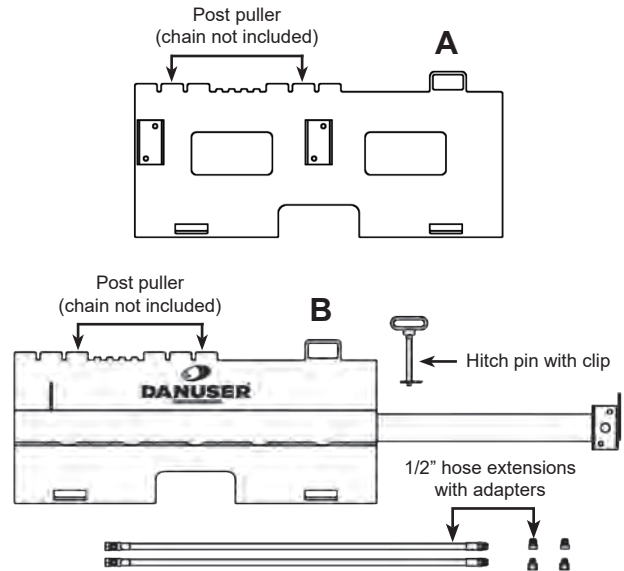
T3 Model (pg. 1) \_\_\_\_\_  
 Mounts (pg. 2-3) \_\_\_\_\_  
 Accessories (pg. 4) \_\_\_\_\_  
 Freight \_\_\_\_\_  
**TOTAL** \_\_\_\_\_



## MOUNTS

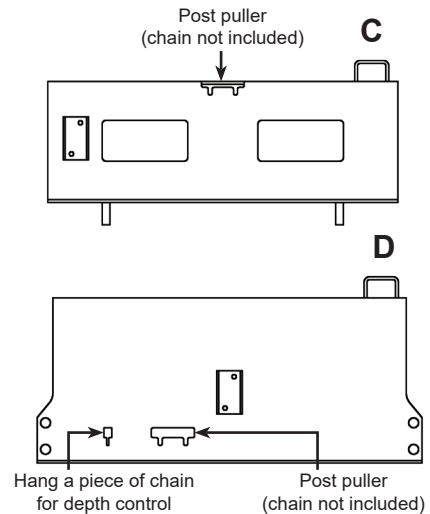
### SKID-STEER QUICK ATTACH

REF.	PN	DESCRIPTION	WT.	PRICE
A	21305	<b>Skid-Steer Quick Attach Mount</b> Equipped with center or offset mounting options. Integrated post puller.	86	\$307.00
B	21355	<b>Skid-Steer Offset Quick Attach Mount</b> Telescopes left or right up to 5' from center in 6" increments. <b>Includes</b> two 4' long 1/2" hose extensions and hitch pin with clip. Integrated post puller.	200	\$834.00



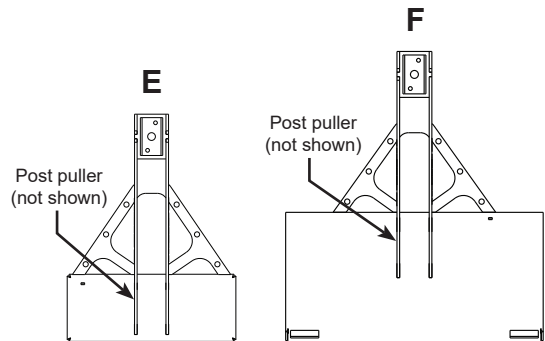
### FRONT-END LOADER QUICK ATTACH

REF.	PN	DESCRIPTION	WT.	PRICE
C	21303	<b>Euro/Global Offset Quick Attach Mount</b> Integrated post puller.	96	\$407.00
D	21304	<b>John Deere 200/300/400/500 Series Quick Attach Mount</b> Chain slot available for depth control. Integrated post puller.	107	\$553.00



### MINI-SKID-STEER QUICK ATTACH

REF.	PN	DESCRIPTION	WT.	PRICE
E	220240	<b>Mini-Skid-Steer Quick Attach Mount</b> Mounts to mini-skid-steers with integrated post puller.	55	\$325.00
F	240607	<b>Bobcat MT Quick Attach Mount</b> Mounts to Bobcat MT mini-skid-steers with integrated post puller.	91	\$365.00



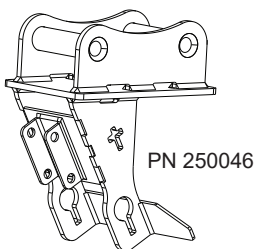
(Tilt bracket assembly and plumb bob on pg. 4)

**BACKHOE & EXCAVATOR QUICK ATTACH**

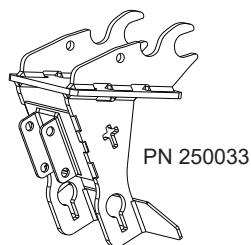
PN	MAKES & MODELS	WT.	PRICE
250047	BOBCAT X-CHANGE	56	\$495.00
250045	BOBCAT E85	85	\$495.00
250031	CASE CX57C, New Holland E57	69	\$345.00
250044	CASE CX80X	81	\$495.00
250012	CAT 580 Super L (Series 1 & 2)	101	\$695.00
250023	CAT 302D, 302.4D, 302.5, 302.5C, 302.7D	58	\$495.00
250025	CAT 303CR/CCR, 303E, 303.5E/E2, 304E/E2	56	\$395.00
250014	CAT 304/305CR, 304.5	57	\$395.00
250015	CAT 304/305CCR, 305.5E/E2, 306	67	\$495.00
250016	CAT 308/309	80	\$495.00
250010	CAT 420D	101	\$695.00
250011	JD 310 SJ/SK/SL, 410J/K/L	79	\$495.00
250027	JD 17 (D,G, & P models)	40	\$345.00
240632	JD 26/27/30/35 (D,G, & P models)	56	\$395.00
250017	JD 50/60 (D,G, & P models)	69	\$545.00
*250021	Kubota KX030, KX040, KX71, KX91, KX121, KX033, U35	60	\$345.00
*250018	Kubota KX057, U48, U55	79	\$395.00
*250019	Kubota KX080	119	\$495.00
*250033	Kubota KX141, KX018, U15, U17	49	\$345.00
*250020	Kubota KX161, U45	75	\$395.00
*250029	Kubota U25, U27	49	\$345.00
250035	SANY SY35U	55	\$395.00
250046	SANY SY60	72	\$495.00
250039	TAG QC27	56	\$495.00
250040	TAG QC30, Wain Roy XLS 1/4 yard	77	\$545.00
250022	TAG Pin Grabber	66	\$395.00
250041	TAKEUCHI TB145, TB250, TB153FR	65	\$395.00
250037	YANMAR ViO27/35, SV40	60	\$395.00
250042	YANMAR ViO40/45/50/55	69	\$395.00
250043	YANMAR ViO80, SV100	78	\$495.00
250048	Universal Mount	61	\$315.00

**\* USA models only. Will not fit gray market machines.**

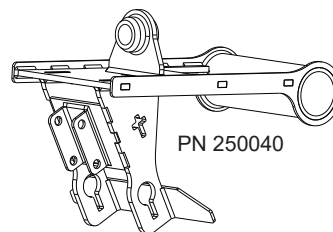
If you do not see your make or model listed, contact Danuser.



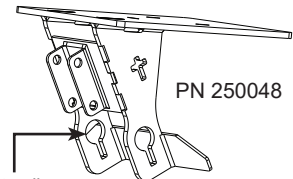
PN 250046



PN 250033



PN 250040



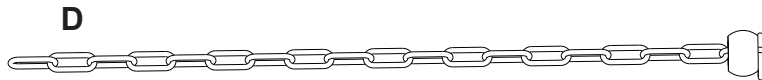
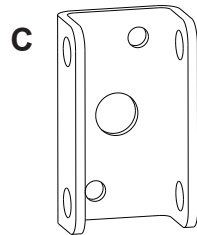
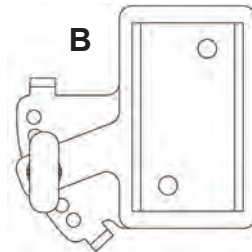
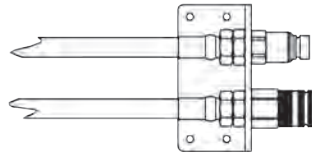
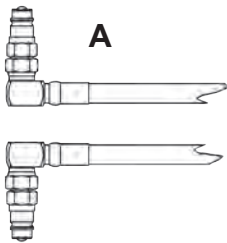
PN 250048

Post puller  
(chain not included)



**ACCESSORIES**

REF.	PN	DESCRIPTION	WT.	PRICE
A	196056	<b>Front-End Loader Hose Kit</b> 1/2" hoses, 25' long, with 1/2" flush-face couplers (ISO 16028) on one end to connect to T3 hoses, and ISO 7241 Series A couplers (compatible with ISO 5675 Pioneer couplers) on the opposite end to connect to tractor rear remotes. <b>Includes</b> bolt-on/weld-on mounting bracket.	27	\$482.00
B	21301	<b>Tilt Bracket Assembly</b> Tilt left or right up to 20°. <b>Includes</b> hardware. Works with all T3 Driver mount platforms.	14	\$190.00
C	21302	<b>Mount Bracket</b> Bolt-on/weld-on bracket that mounts to a flat surface. Hardware not included.	3	\$25.00
D	21356	<b>Plumb Bob</b> Provides vertical line reference for operator.	1	\$27.00



D

**REPAIR PARTS & SAFETY SIGNS**

To find repair parts and safety signs, see Danuser's online Parts Catalog at [parts.danuser.com](http://parts.danuser.com).

The Parts Catalog includes all current attachment parts and decals in a user-friendly, accessible, and portable format.

Be sure to have model and serial number at hand to find the correct items.

F.O.B. FULTON, MISSOURI

Dollars are U.S. Dollars.

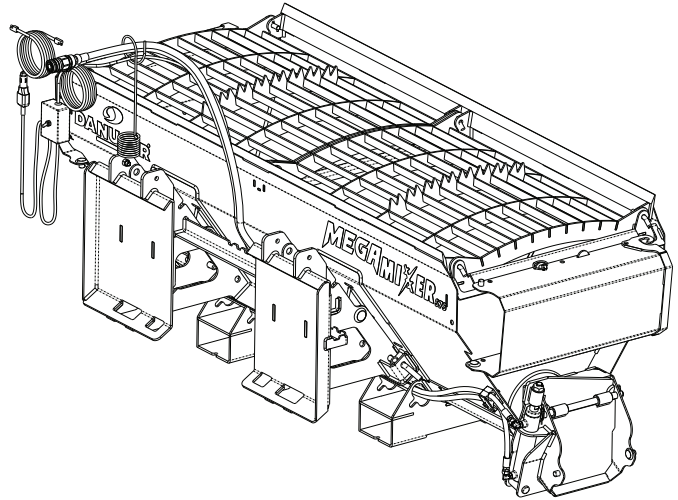
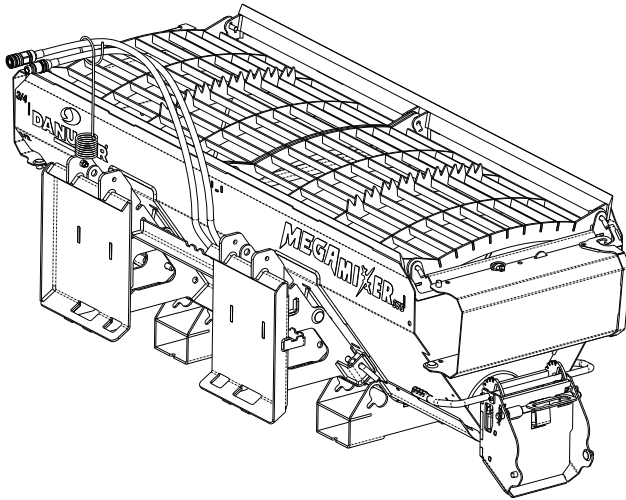
Danuser reserves the right to make changes in design, specifications, and prices without notice and without incurring any obligation relating to such changes.



# MEGA MIXER PRICE SHEET

## 1-Year Warranty

**⚠ WARNING** This product can expose you to chemicals known to the State of California to cause cancer and birth defects or other reproductive harm. For more information go to [www.P65Warnings.ca.gov/product](http://www.P65Warnings.ca.gov/product).



PN	DESCRIPTION	WT.	PRICE
170001	<b>Mega Mixer S75</b> Includes two 24" chutes, 11' length hoses with 1/2" flush-face couplers (ISO 16028), built-in scraper blades, handle-operated gate with automatic discharge flap, and safety grates with bag busters.	935	\$7,270.00
170002	<b>Mega Mixer S75 with Hydraulic Gate</b> Includes two 24" chutes, 11' length hoses with 1/2" flush-face couplers (ISO 16028), built-in scraper blades, hydraulic-operated gate with automatic discharge flap, and safety grates with bag busters.	960	\$8,850.00

### TO PRICE A COMPLETE SYSTEM:

Mega Mixer Model (pg. 1) \_\_\_\_\_

Accessories (pg. 2) \_\_\_\_\_

Optional Wiring Harness/  
Battery Wiring Harness (pg. 3) \_\_\_\_\_

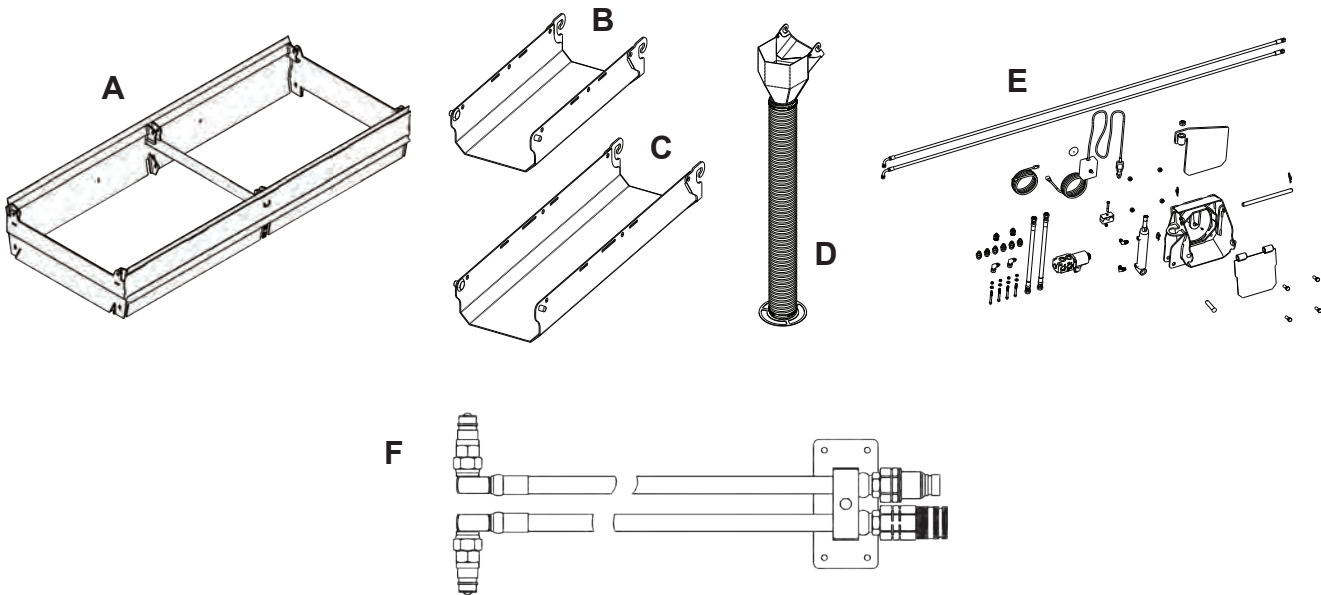
Freight \_\_\_\_\_

**TOTAL** \_\_\_\_\_



**MEGA MIXER ACCESSORIES**

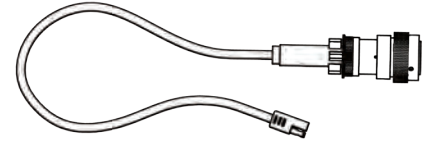
REF.	PN	DESCRIPTION	WT.	PRICE
A	170095	<b>Hopper Extension</b> Expands Mega Mixer capacity from 3/4 yard to 1 yard without modification. <b>Includes</b> hardware.	121	\$677.00
B	230205	<b>24" Chute (SN 3470 &amp; above)</b> Chutes can be linked to extend.	18	\$94.00
C	230210	<b>36" Chute (SN 3470 &amp; above)</b> Chutes can be linked to extend.	26	\$108.00
D	230214	<b>Funnel with 6" Hose Adapter (SN 3470 &amp; above)</b> May be combined with 24" or 36" chute. Allows precision discharge with included 5' long, 6" diameter hose.	24	\$572.00
E	230220	<b>Hydraulic Gate Kit (SN 3470 &amp; above)</b> Made for one-person operation. Add to any Mega Mixer with SN 3470 or above. Allows the operator to open and close the discharge gate from the seat of the vehicle. <b>Includes</b> diverter switch and plug adapter that connects to a 12-volt auxiliary power outlet inside the cab.	112	\$1,875.00
F	196056	<b>Front-End Loader Hose Kit</b> 1/2" hoses, 25' long, with 1/2" flush-face couplers (ISO 16028) on one end to connect to Mega Mixer hoses, and ISO 7241 Series A couplers (compatible with ISO 5675 Pioneer couplers) on the opposite end to connect to tractor rear remotes. Includes bolt-on/weld-on mounting bracket.	27	\$482.00



**OPTIONAL WIRING HARNESSES - 170002 ONLY**

Allows Mega Mixer 170002 hydraulic gate operation from vehicle joy stick controls. 12" length.  
Replaces 12-volt auxiliary power port plug on Mega Mixer standard harness.

PN	DESCRIPTION	WT.	PRICE
21220-1	<b>Wiring Harness 8-Pin</b> Used on ASV, Caterpillar, Komatsu, Terex	2	\$192.00
21220-2	<b>Wiring Harness 14-pin</b> Used on Bobcat (prior to 1999), Case, JCB, Kubota, New Holland, Takeuchi, Volvo	2	\$192.00
21220-3	<b>Wiring Harness 14-pin Deere</b> Used on John Deere	2	\$192.00
21220-4	<b>Wiring Harness 14-pin Caterpillar</b> Used on Caterpillar	2	\$192.00
21220-5	<b>Wiring Harness 14-pin</b> Used on Bobcat (1999 and current), Gehl	2	\$192.00
*21220-U1	<b>Wiring Harness 8-pin</b> Universal wiring harness. Contacts are crimped on wire but not installed in connector.	2	\$192.00
*21220-U2	<b>Wiring Harness 14-pin</b> Universal wiring harness. Contacts are crimped on wire but not installed in connector.	2	\$192.00

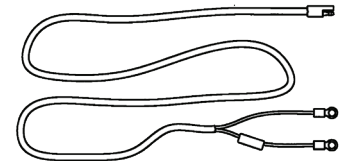


Danuser takes care to ensure the accuracy of the information contained in this price sheet. We assume no liability for errors contained herein. It is the responsibility of the installer to ensure that all of the products are correct before installation. Proper assembly always requires that the installer use all instructions and safety procedures. We assume no liability for any errors made in product selection or installation.

\* Requires connector contacts be installed in a switchable +12 V pin location and ground pin location. Mapping of skid-steer connector pins required.

**BATTERY WIRING HARNESS**

PN	DESCRIPTION	WT.	PRICE
21253	<b>Wiring Harness - Battery Connection</b> Connects to vehicle battery to supply power for hydraulic gate function. Replaces 12-volt auxiliary power port plug on Mega Mixer standard harness.	2	\$63.00

**REPAIR PARTS & SAFETY SIGNS**

To find repair parts and safety signs, see Danuser's online Parts Catalog at [parts.danuser.com](http://parts.danuser.com).

The Parts Catalog includes all current attachment parts and decals in a user-friendly, accessible, and portable format.

Be sure to have model and serial number at hand to find the correct items.

F.O.B. FULTON, MISSOURI

Dollars are U.S. Dollars.

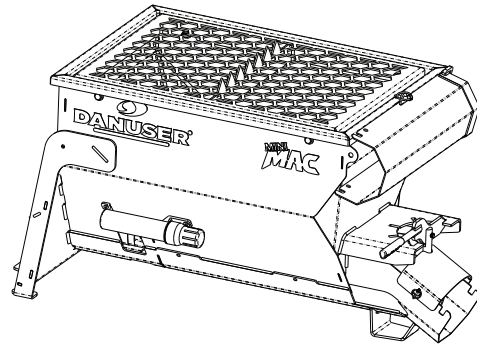
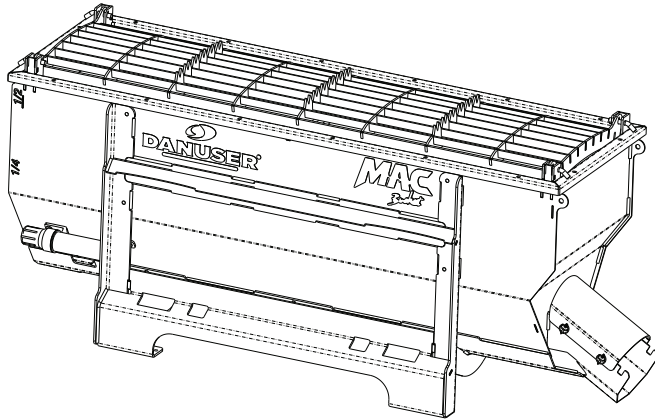
Danuser reserves the right to make changes in design, specifications, and prices without notice and without incurring any obligation relating to such changes.



# MAC BUCKET PRICE SHEET

## 1-Year Warranty

**⚠ CALIFORNIA WARNING** This product can expose you to chemicals including lead, which are known to the State of California to cause cancer and birth defects or other reproductive harm. For more information go to <https://www.p65warnings.ca.gov>.



PN	DESCRIPTION	WT.	PRICE
230400	<b>MAC Bucket - Rubber Auger</b> For mixing and dispensing concrete, agricultural grains, wildlife feed, and heavy wet materials. <b>Includes:</b> Two (2) 24" chutes and hoses with 1/2" flush-face couplers (ISO 16028).	645	\$4,995.00
230401	<b>MAC Bucket - Steel Auger</b> For mixing and dispensing dry materials, low slump concrete, animal feed, asphalt, and sand. <b>Includes:</b> Two (2) 24" chutes and hoses with 1/2" flush-face couplers (ISO 16028).	650	\$4,620.00

### TO PRICE A COMPLETE SYSTEM:

MAC Model (pg. 1) \_\_\_\_\_  
 Accessories (pg. 2) \_\_\_\_\_  
 Freight \_\_\_\_\_

**TOTAL** \_\_\_\_\_

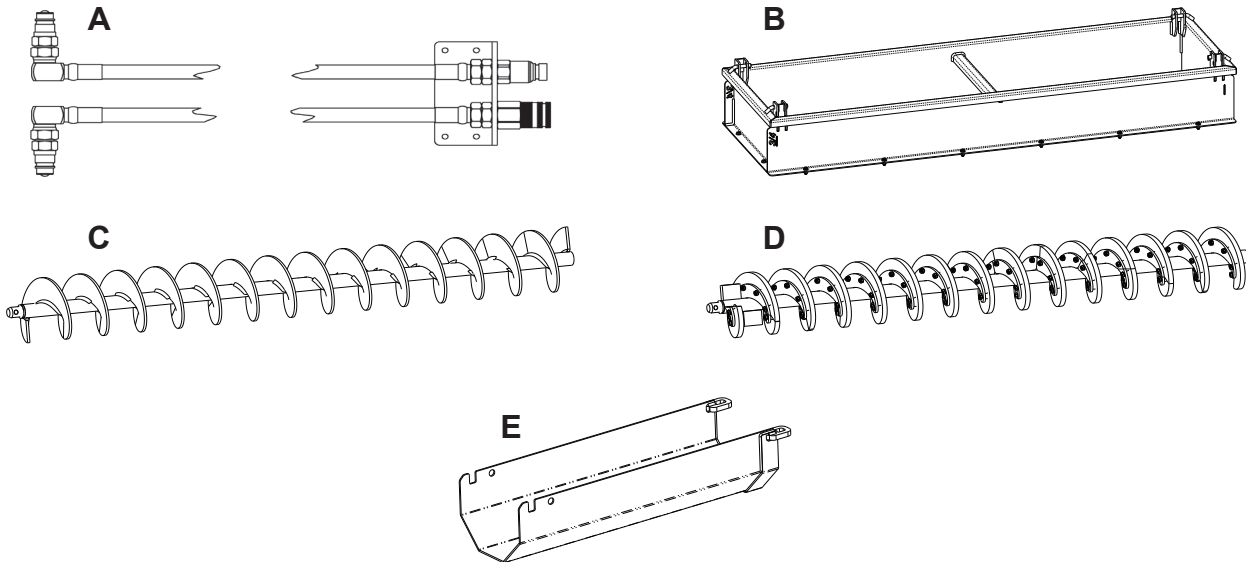
PN	DESCRIPTION	WT.	PRICE
230402	<b>Mini MAC - Mini Universal Mount</b> For mini-skid-steers using the Common Industry Interface (CII) mount. For mixing and dispensing concrete agricultural grains, wildlife feed, and sand. <b>Includes:</b> One (1) 24" chute and hoses with 1/2" flush-face couplers (ISO 16028).	370	\$3,325.00
230403	<b>Mini MAC - Bob-Tach® Mount</b> For mini-skid-steers using the Bob-Tach® mount. For mixing and dispensing concrete agricultural grains, wildlife feed, and sand. <b>Includes:</b> One (1) 24" chute and hoses with 1/2" flush-face couplers (ISO 16028).	395	\$3,385.00



**ACCESSORIES**

REF.	PN	DESCRIPTION	WT.	PRICE
A	196056	<b>MAC Bucket Front-End Loader Hose Kit</b> 1/2" hoses, 25' long, with 1/2" flush-face coupler (ISO 16028) on one end to connect to MAC Bucket hoses, and ISO 7241 Series A couplers (compatible with ISO 5675 Pioneer couplers) on the opposite end to connect to tractor rear remotes. <b>Includes</b> bolt-on/weld-on mounting bracket.	27	\$482.00
B	230459	<b>MAC Bucket Hopper Extension</b> Bolt to MAC Bucket to expand capacity from 1/2 yard to 3/4 yard. <b>Includes</b> hardware.	82	\$650.00
C	11063	<b>MAC Bucket Steel Auger Assembly</b>	38	\$814.00
D	11047	<b>MAC Bucket Rubber-Flighted Auger Assembly</b>	38	\$983.00
E	11019	<b>24" Chute*</b> Chutes can be linked to extend.	14	\$257.00

\*Compatible with both MAC Bucket and Mini MAC.



**REPAIR PARTS & SAFETY SIGNS**

To find repair parts and safety signs, see Danuser's online Parts Catalog at [parts.danuser.com](http://parts.danuser.com).

The Parts Catalog includes all current attachment parts and decals in a user-friendly, accessible, and portable format.

Be sure to have model and serial number at hand to find the correct items.

F.O.B. FULTON, MISSOURI

Dollars are U.S. Dollars.

Danuser reserves the right to make changes in design, specifications, and prices without notice and without incurring any obligation relating to such changes.

**PALLET FORKS & GRAPPLES PRICE SHEET**

**⚠ WARNING** This product can expose you to chemicals known to the State of California to cause cancer and birth defects or other reproductive harm. For more information go to [www.P65Warnings.ca.gov/product](http://www.P65Warnings.ca.gov/product).

**PALLET FORK FRAMES & TINES****2-Year Warranty**

PN	DESCRIPTION	WT.	PRICE
12017	Skid-Steer Full Brick Guard	166	\$751.00
12030	Skid-Steer Walk-Thru Brick Guard	162	\$751.00
12033	John Deere 200/300/400/500 Series Loader	146	\$817.00
12034	John Deere 600/700 Series Loader	178	\$994.00
12035	Euro/Global Loader	148	\$789.00

PN	DESCRIPTION	WT.	PRICE
12057	Fork Tine Set 1-1/4" x 48" 3,500 lb. capacity	179	\$673.00
12059	Fork Tine Set 1-5/8" x 48" 5,500 lb. capacity	230	\$815.00

Free personalization to any pallet fork brick guard (Required Minimum Quantity of 10)  
Just add a "P" to the end of the part number

**MULTI-PURPOSE GRAPPLES****1-Year Warranty**  
See pg. 2 for frame designs

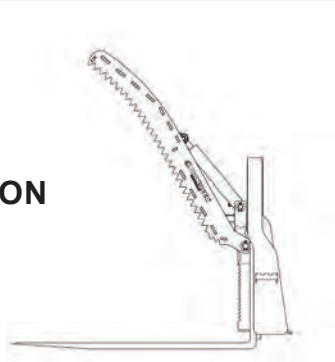
PN	DESCRIPTION	WT.	PRICE
12085	<b>Pallet Fork Grapple Kit (Danuser Frame Designs)</b> Maximum opening of 55". Produces 9,500 lb. of clamping force at 3,000 PSI. Will fit all frames listed above. <b>Includes</b> hoses with 1/2" flush-face couplers (ISO 16028).	150	\$1,535.00
170500	<b>Pallet Fork Grapple Kit (Other Frame Designs)</b> Maximum opening of 55". Produces 9,500 lb. of clamping force at 3,000 PSI. Fits most fork frames. <b>Includes</b> hoses with 1/2" flush-face couplers (ISO 16028).	150	\$1,535.00

**FRONT-END LOADER HOSE KIT**

PN	DESCRIPTION	WT.	PRICE
196056	<b>Front-End Loader Hose Kit</b> 1/2" hoses, 25' long, with 1/2" flush-face couplers (ISO 16028) on one end to connect to Pallet Fork Grapple hoses, and ISO 7241 Series A couplers (compatible with ISO 5675 Pioneer couplers) on the opposite end to connect to tractor rear remotes. <b>Includes</b> bolt-on/weld-on mounting bracket.	27	\$482.00



**GRAPPLE IN  
WORKING POSITION**



**GRAPPLE IN  
LOCKED POSITION**

For Normal Pallet Fork Use  
(no tools required)



**ATTACHING THE MULTI-PURPOSE GRAPPLE TO FORK FRAMES**



**DANUSER PALLET  
FORK GRAPPLE KIT**

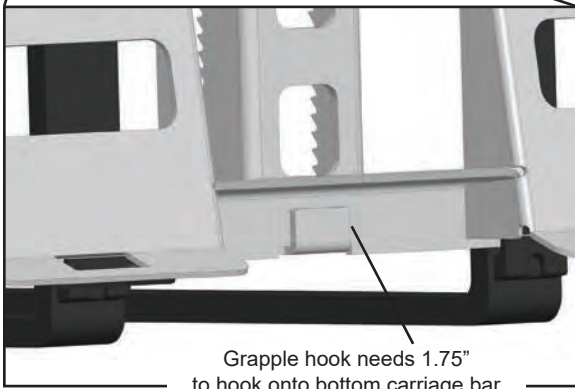
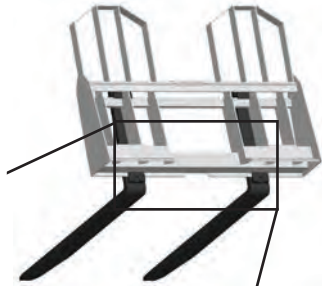
**12085**

Fits Danuser Fork Frames

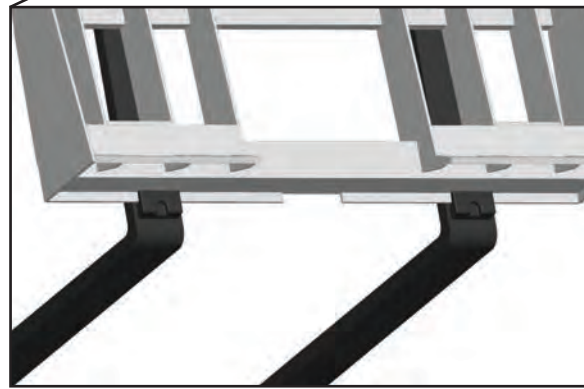
**PALLET FORK  
GRAPPLE KIT**

**170500**

Fits Most Other Fork Frames



Grapple hook needs 1.75"  
to hook onto bottom carriage bar



**REPAIR PARTS & SAFETY SIGNS**

To find repair parts and safety signs, see Danuser's online Parts Catalog at [parts.danuser.com](http://parts.danuser.com).

The Parts Catalog includes all current attachment parts and decals in a user-friendly, accessible, and portable format.

Be sure to have model and serial number at hand to find the correct items.

F.O.B. FULTON, MISSOURI

Dollars are U.S. Dollars.

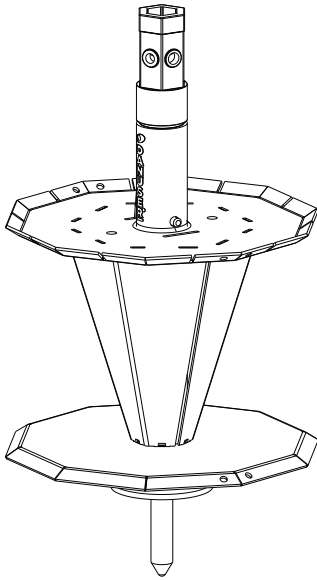
Danuser reserves the right to make changes in design, specifications, and prices without notice and without incurring any obligation relating to such changes.



# PYTHON PRICE SHEET

## 1-Year Warranty

**⚠ WARNING** This product can expose you to chemicals known to the State of California to cause cancer and birth defects or other reproductive harm. For more information go to [www.P65Warnings.ca.gov/product](http://www.P65Warnings.ca.gov/product).



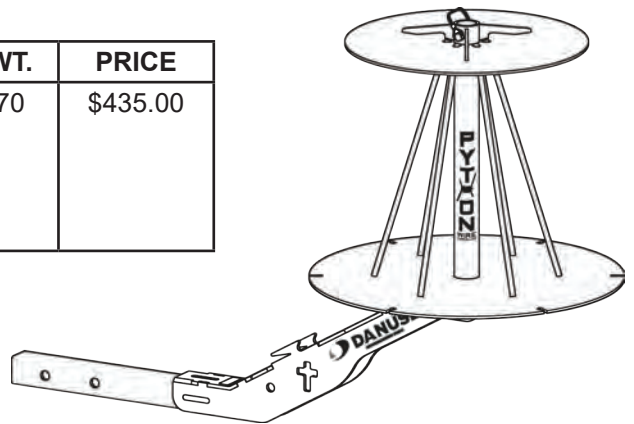
### PYTHON WIRE WINDER

PN	DESCRIPTION	WT.	PRICE
170610	Can roll up to 3/4 mile of barbed wire (12.5 ga) or 6 miles of smooth wire (14 ga). 2" hex connection. Two tie-wire locations and 10 easy-start wire slots to roll multiple wires at one time. Tool-less operation.	96	\$585.00

**NOTE:** To be used ONLY with front-mounted hydraulic auger drives.

### PYTHON WIRE UNROLLER

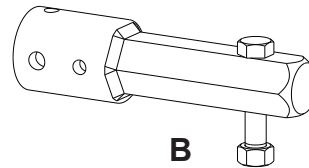
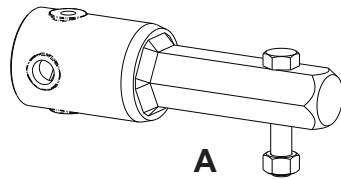
PN	DESCRIPTION	WT.	PRICE
180606	2" receiver/trailer hitch connection. Rebar and T-post straightening holes. Wire tensioning hooks. Rubber disc reduces backlash. Accepts most new spools of wire or bundles wound using Python Wire Winder. Tool-less operation.	70	\$435.00





**ACCESSORIES**

REF.	PN	DESCRIPTION	WT.	PRICE
A	10923	<b>Auger Adapter</b> Allows Python to connect onto 2-9/16" round output spindles with 7/8" bolt hole. Not for use with power take-off (PTO) driven post hole diggers.	14	\$182.00
B	10925	<b>Auger Adapter</b> Allows Python to connect onto 2" round output spindles with 7/8" bolt hole. Not for use with power take-off (PTO) driven post hole diggers.	12	\$165.00



**REPAIR PARTS & SAFETY SIGNS**

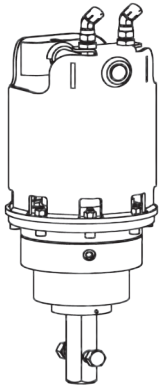
To find repair parts and safety signs, see Danuser's online Parts Catalog at [parts.danuser.com](http://parts.danuser.com).

The Parts Catalog includes all current attachment parts and decals in a user-friendly, accessible, and portable format.

Be sure to have model and serial number at hand to find the correct items.



## EP AUGER SYSTEMS PRICE SHEET



### 5-Year Warranty

#### Lifetime covering output pullout

Heavy-duty performance at an exceptional price. Drive units range from 6 - 35 GPM and up to 3,500 PSI with 2" hex output spindles. Mounts are available for skid-steer, front-end loader, backhoe, mini-skid-steer, and excavator.

### TO PRICE A COMPLETE SYSTEM:

Drive Units (pg. 1)	_____
Hoses & Hyd. Accessories (pg. 2)	_____
Mounts (pg. 3-5)	_____
Augers & Accessories (pg. 6-13)	_____
Freight	_____
<b>TOTAL</b>	_____

**⚠ WARNING** This product can expose you to chemicals known to the State of California to cause cancer and birth defects or other reproductive harm. For more information go to [www.P65Warnings.ca.gov/product](http://www.P65Warnings.ca.gov/product).

## DRIVE UNITS

### MODEL EP615

**\$2,240.00**

<b>Part No.</b>	<b>180405</b>
<b>Approx. Ship Weight (lb.)</b>	<b>139</b>
Maximum Auger Diameter	24"
Hydraulic Flow	6 - 15 GPM
Maximum Hydraulic Pressure	3,500 PSI
Maximum Hydraulic Back Pressure	1,500 PSI
Gearbox Ratio	3.86:1

Vehicle auxiliary flow (GPM)					
6	8	10	12	14	15
36	48	60	73	85	91
Auger bit speed (RPM)					

Vehicle auxiliary pressure (PSI)			
2,000	2,500	3,000	3,500
1,014	1,267	1,520	1,774
Drive unit torque (ft.-lb.)			

### MODEL EP1020

**\$2,390.00**

<b>Part No.</b>	<b>180406</b>
<b>Approx. Ship Weight (lb.)</b>	<b>139</b>
Maximum Auger Diameter	30"
Hydraulic Flow	10 - 20 GPM
Maximum Hydraulic Pressure	3,500 PSI
Maximum Hydraulic Back Pressure	1,500 PSI
Gearbox Ratio	3.86:1

Vehicle auxiliary flow (GPM)					
10	12	14	16	18	20
48	58	68	77	87	97
Auger bit speed (RPM)					

Vehicle auxiliary pressure (PSI)			
2,000	2,500	3,000	3,500
1,270	1,587	1,904	2,222
Drive unit torque (ft.-lb.)			

### MODEL EP1530

**\$2,490.00**

<b>Part No.</b>	<b>180407</b>
<b>Approx. Ship Weight (lb.)</b>	<b>142</b>
Maximum Auger Diameter	36"
Hydraulic Flow	15 - 30 GPM
Maximum Hydraulic Pressure	3,500 PSI
Maximum Hydraulic Back Pressure	1,500 PSI
Gearbox Ratio	3.86:1

Vehicle auxiliary flow (GPM)					
15	18	20	24	28	30
49	59	65	78	92	98
Auger bit speed (RPM)					

Vehicle auxiliary pressure (PSI)			
2,000	2,500	3,000	3,500
1,874	2,342	2,811	3,279
Drive unit torque (ft.-lb.)			

### MODEL EP2035

**\$2,665.00**

<b>Part No.</b>	<b>180408</b>
<b>Approx. Ship Weight (lb.)</b>	<b>150</b>
Maximum Auger Diameter	36"
Hydraulic Flow	20 - 35 GPM
Maximum Hydraulic Pressure	3,500 PSI
Maximum Hydraulic Back Pressure	1,500 PSI
Gearbox Ratio	3.86:1

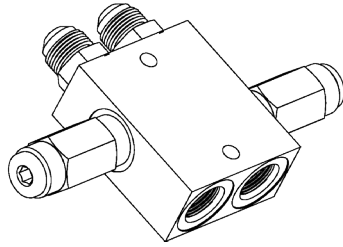
Vehicle auxiliary flow (GPM)					
20	22	26	30	32	35
48	53	63	73	78	85
Auger bit speed (RPM)					

Vehicle auxiliary pressure (PSI)			
2,000	2,500	3,000	3,500
2,529	3,161	3,794	4,426
Drive unit torque (ft.-lb.)			

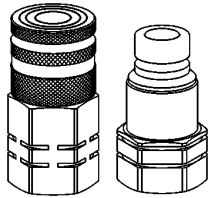
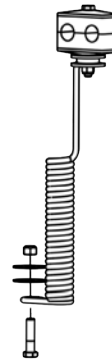


**HOSES & HYDRAULIC ACCESSORIES**

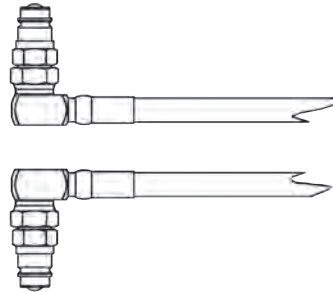
Cross Port Relief Valve



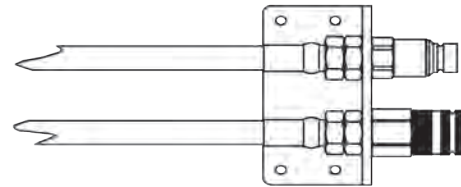
Hose Holder Spring Kit



1/2" flush-face couplers  
(ISO 16028)



Front-End Loader  
Hose Kit



PN	DESCRIPTION	WT.	PRICE
196035	<b>Cross Port Relief Valve</b> Required for pressures exceeding 3,500 PSI.	7	\$460.00

PN	DESCRIPTION	WT.	PRICE
190172	<b>1/2" Hose Holder Spring Kit</b> Allows adjustment of hose routing to reduce pinching and tugging.	2	\$57.00

PN	DESCRIPTION	WT.	PRICE
196027	<b>1/2" Hose Kit, 108" with Couplers &amp; Abrasion Sleeves</b> Includes 1/2" flush-face couplers (ISO 16028).	12	\$292.00
196025	<b>1/2" Hose Kit, 108" with Abrasion Sleeves</b> Includes fittings. Does not include quick couplers.	9	\$194.00
206032	<b>1/2" Backhoe, Excavator, &amp; Mini-Skid-Steer Hose Kit, 66" with Couplers &amp; Abrasion Sleeves</b> Includes 1/2" flush-face couplers (ISO 16028).	7	\$207.00
206031	<b>1/2" Backhoe, Excavator, &amp; Mini-Skid-Steer Hose Kit, 66" with Abrasion Sleeves</b> Includes fittings. Does not include quick couplers.	5	\$117.00
196056	<b>Front-End Loader Hose Kit</b> 1/2" hoses, 25' long, with 1/2" flush-face couplers (ISO 16028) on one end to connect to 196027 Hose Kit above (sold separately), and ISO 7241 Series A couplers (compatible with ISO 5675 Pioneer couplers) on the opposite end to connect to tractor rear remotes. Includes bolt-on/weld-on mounting bracket.	27	\$482.00



## MOUNTS

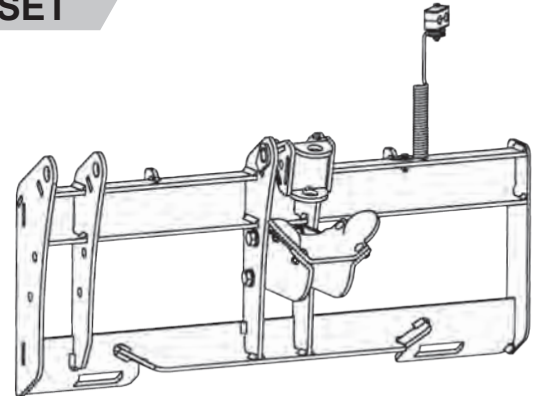
### SKID-STEER QUICK ATTACH - CENTER & OFFSET

Mounting Kit attaches the drive unit to skid-steer quick attach with standard 2-pin system and SAE quick couplers. Two mounting positions available allow use with front-end loaders and skid-steers, and two cradle positions for transporting at 15° or 30° angles. **Includes** knuckle, cradle, hose holder spring kit, and hardware.

PN	WT.	PRICE
180415	156	\$605.00
*180415CSE	156	\$655.00

\* Fits Case Model 1840

PN 180415

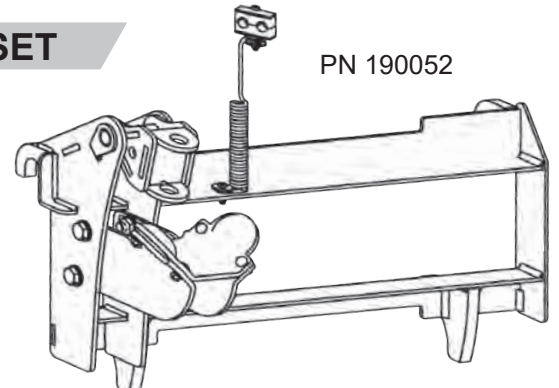


### FRONT-END LOADER QUICK ATTACH - OFFSET

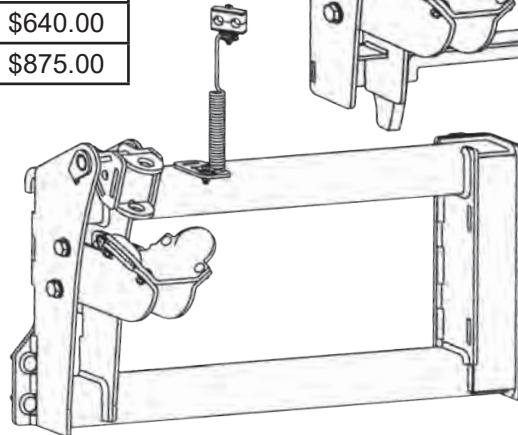
Mounting Kit attaches the drive unit to front-end loader quick attach systems. Two cradle positions for transporting at 15° or 30° angles. **Includes** knuckle, cradle, hose holder spring kit, and hardware.

PN	DESCRIPTION	WT.	PRICE
190052	Euro/Global	108	\$640.00
190053	John Deere 200-500	194	\$875.00

PN 190052



PN 190053

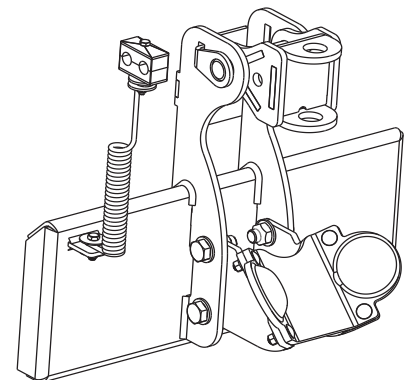


### MINI-SKID-STEER QUICK ATTACH - CENTER

Mounting Kit attaches the drive unit to mini-skid-steer quick attach systems. Most vehicles with 72" or greater hinge pin height may use standard 4' length augers. Hinge pin heights 71" or shorter require 3' length augers maximum. **Includes** knuckle, cradle, hose holder spring kit, and hardware.

PN	DESCRIPTION	WT.	PRICE
200185	Mini-Skid-Steer	70	\$435.00
200207	Bobcat MT	104	\$480.00

PN 200185

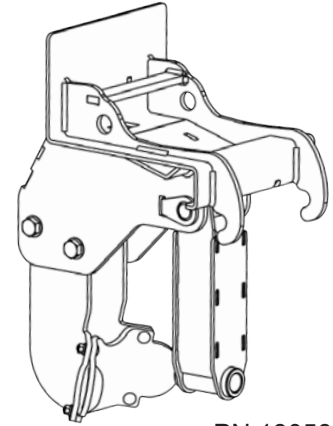




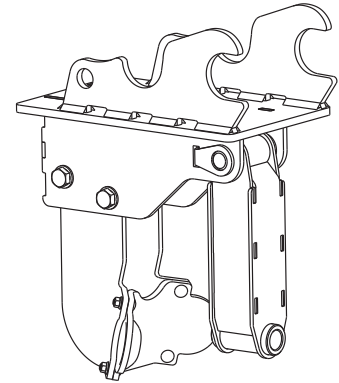
## BACKHOE & EXCAVATOR QUICK ATTACH MOUNTING KITS

Quick Attach Mounting Kits include cradle.

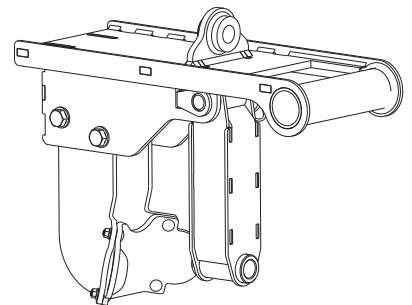
PN	MAKES & MODELS	WT.	PRICE
180565	BOBCAT X-Change	90	\$715.00
230262	CASE 580 Super L series 1 & 2	138	\$1,130.00
180477	CAT 2008-2013 302D, 302.4D, 302.5, 302.5C, 302.7D	80	\$635.00
210150	CAT 303CR/CCR, 303.5E/E2, 304/305CR	95	\$855.00
180484	CAT 305.5E, 304C CR	90	\$855.00
190166	CAT 308, 309	117	\$1,025.00
180469	CAT 420D, 420E (pin grabber)	110	\$1,025.00
190160	JD 17D, 17G	74	\$635.00
180508	JD 26G, 27D, 30G, 35D, 35G (wedge)	96	\$635.00
180512	JD 50D, 50G, 60G (wedge), Hitachi ZX50	115	\$635.00
190034	JD 310, 410, fits all series except G	115	\$1,025.00
*180548	KUBOTA KX057, U55, U48	114	\$635.00
*190156	KUBOTA KX080	154	\$635.00
*180552	KUBOTA U25, U27	90	\$635.00
*180556	KUBOTA KX141-3, KX-018, U15, U17	109	\$635.00
*180539	KUBOTA KX161-3, U45	91	\$635.00
*180544	KUBOTA C39/45, KX033-4, KX71-3, KX040, KX91-3, KX121-3, U35	110	\$635.00
210178	SANY SY35U	110	\$855.00
180560	TAG Pin Grabber Style (quick coupler)	74	\$855.00
180572	TAG QC27 Style (quick coupler)	78	\$1,130.00
192008	TAG QC30 Style (quick coupler)	78	\$1,270.00
210161	TAKEUCHI TB250 (pin grabber)	101	\$1,270.00
180533	YANMAR ViO27, ViO35 (quick coupler)	85	\$855.00
180521	YANMAR ViO40, ViO45, ViO50, ViO55 (quick coupler)	85	\$855.00
240084	YANMAR ViO80, ViO100 (quick coupler)	115	\$1,025.00



PN 180565



PN 180544



PN 180572

\* USA models only. Will not fit gray market machines.

### CALL FOR PRICE ON CUSTOM MOUNTS

If you do not see your make or model listed, contact Danuser.

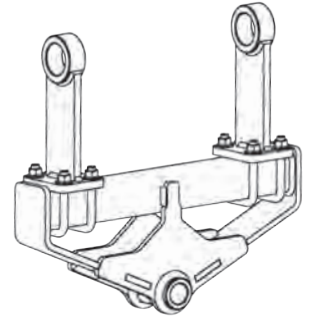


## BACKHOE & EXCAVATOR PIN-ON MOUNTING KITS

For dipperstick widths from 3-1/2" to 13". Mounting Kits do not include dipperstick pin.  
**Not for use on vehicles with stick breakout force greater than 28,250 lb. or vehicle max operating weight greater than 55,000 lb.**

PN	BUCKET PIN DIA.	WT.	PRICE
180435	1" (25mm)	36	\$400.00
180436	30mm	36	\$400.00
180437	1-1/4"	36	\$400.00
180438	1-3/8" (35mm)	36	\$400.00
180439	1-1/2"	36	\$400.00
180440	40mm	38	\$400.00

PN	BUCKET PIN DIA.	WT.	PRICE
180441	1-5/8"	43	\$595.00
180442	1-3/4"	42	\$595.00
180443	45mm	45	\$595.00
180444	50mm	45	\$595.00
180445	2"	45	\$595.00
180446	55mm	41	\$595.00

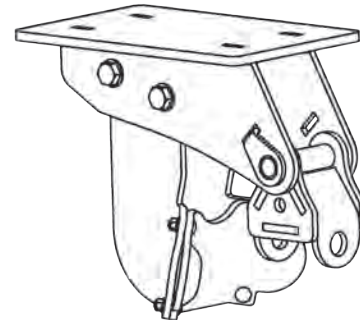


## UNIVERSAL & BOLT-ON MOUNTING KITS

### UNIVERSAL MOUNTING KIT

Mounting Kit requires fabrication and welding for installation to machine. Weldable dimensions are 10" wide and 16" long. Two cradle positions for transporting at 15° or 30° angles.  
**Includes** plate, knuckle, cradle, and hardware.

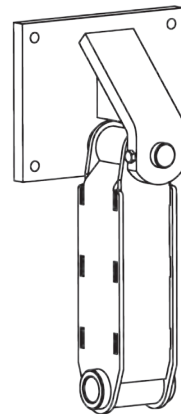
PN	WT.	PRICE
192015	65	\$435.00



### BOLT-ON BUCKET KIT

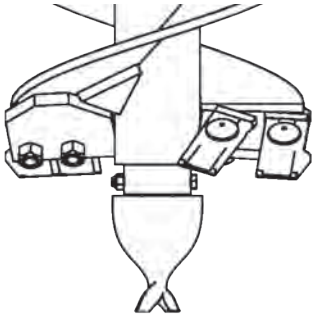
Mounting Kit attaches the drive unit to a flat vertical surface.  
**Includes** plate and knuckle assembly. Does not include bucket mounting hardware.

PN	WT.	PRICE
190203	41	\$375.00





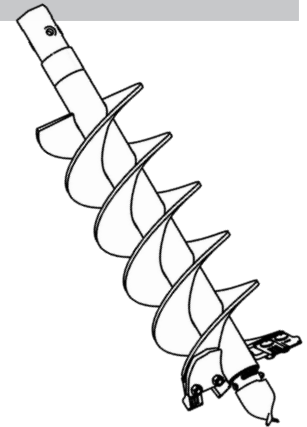
## AUGERS & ACCESSORIES



### FABRICATED AUGERS (Light-Duty)

#### Light to Moderate Ground Conditions

- Fabricated Boring Head
- Hardened Bolt-on Teeth (Dirt)
  - » Gage Teeth in Outermost Positions
  - » Wisdom Teeth in Inner Positions
- Hardened Fishtail Point (Dirt)
- 5/16" Heavy-Duty Double Flighting on 8" Diameter & Larger;  
5/16" Single Flighting on 6"; 3/8" Single Flighting on 4"

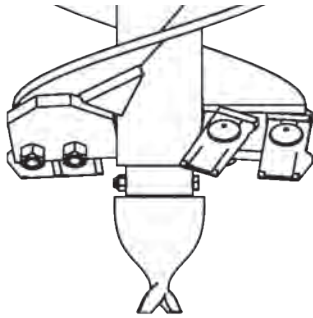


### 4' Length Augers - STANDARD

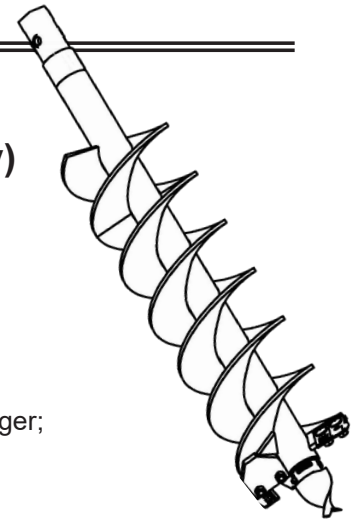
DIA.	PRICE	NO. OF TEETH	WT.	2" HEX PN	2-9/16" RD PN	2" RD PN
4"	\$324.00	0	42	10600	10601	10602
6"	\$350.00	2	46	10603	10604	10605
8"	\$500.00	2	78	10606	10607	10608
9"	\$519.00	3	85	10609	10610	10611
10"	\$570.00	3	98	10612	10613	10614
12"	\$589.00	4	115	10615	10616	10617
15"	\$817.00	5	135	10618	10619	10620
16"	\$842.00	5	146	10621	10622	10623
18"	\$953.00	6	170	10624	10625	10626
20"	\$1,179.00	6	182	10627	10628	10629
24"	\$1,224.00	8	211	10630	10631	10632
30"	\$1,522.00	9	272	10633	10634	10635
36"	\$1,918.00	11	365	10636	10637	10638

### 3' Length Augers

DIA.	PRICE	NO. OF TEETH	WT.	2" HEX PN	2-9/16" RD PN	2" RD PN
4"	\$317.00	0	42	10600-3	10601-3	10602-3
6"	\$333.00	2	42	10603-3	10604-3	10605-3
8"	\$468.00	2	57	10606-3	10607-3	10608-3
9"	\$484.00	3	62	10609-3	10610-3	10611-3
10"	\$514.00	3	69	10612-3	10613-3	10614-3
12"	\$538.00	4	78	10615-3	10616-3	10617-3
15"	\$712.00	5	87	10618-3	10619-3	10620-3
16"	\$757.00	5	93	10621-3	10622-3	10623-3
18"	\$794.00	6	106	10624-3	10625-3	10626-3
20"	\$922.00	6	134	10627-3	10628-3	10629-3
24"	\$1,090.00	8	153	10630-3	10631-3	10632-3
30"	\$1,348.00	9	208	10633-3	10634-3	10635-3
36"	\$1,671.00	11	275	10636-3	10637-3	10638-3

**FABRICATED AUGERS (Light-Duty)****Light to Moderate Ground Conditions**

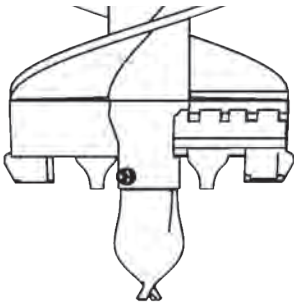
- Fabricated Boring Head
- Hardened Bolt-on Teeth (Dirt)
  - » Gage Teeth in Outermost Positions
  - » Wisdom Teeth in Inner Positions
- Hardened Fishtail Point (Dirt)
- 5/16" Heavy-Duty Double Flighting on 8" Diameter & Larger;  
5/16" Single Flighting on 6"; 3/8" Single Flighting on 4"

**5' Length Augers**

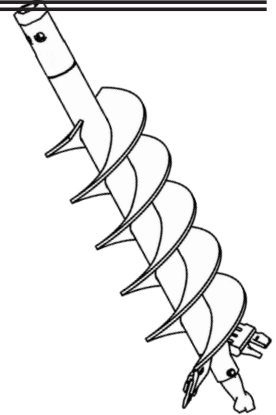
DIA.	PRICE	NO. OF TEETH	WT.	2" HEX PN	2-9/16" RD PN	2" RD PN
4"	\$393.00	0	51	10600-5	10601-5	10602-5
6"	\$468.00	2	51	10603-5	10604-5	10605-5
8"	\$628.00	2	101	10606-5	10607-5	10608-5
9"	\$636.00	3	111	10609-5	10610-5	10611-5
10"	\$727.00	3	126	10612-5	10613-5	10614-5
12"	\$734.00	4	145	10615-5	10616-5	10617-5
15"	\$999.00	5	164	10618-5	10619-5	10620-5
16"	\$1,143.00	5	177	10621-5	10622-5	10623-5
18"	\$1,247.00	6	207	10624-5	10625-5	10626-5
20"	\$1,378.00	6	254	10627-5	10628-5	10629-5
24"	\$1,475.00	8	268	10630-5	10631-5	10632-5
30"	\$2,164.00	9	445	10633-5	10634-5	10635-5
36"	\$2,347.00	11	501	10636-5	10637-5	10638-5

**6' Length Augers**

DIA.	PRICE	NO. OF TEETH	WT.	2" HEX PN	2-9/16" RD PN	2" RD PN
4"	\$440.00	0	60	10600-6	10601-6	10602-6
6"	\$606.00	2	60	10603-6	10604-6	10605-6
8"	\$734.00	2	128	10606-6	10607-6	10608-6
9"	\$757.00	3	141	10609-6	10610-6	10611-6
10"	\$847.00	3	160	10612-6	10613-6	10614-6
12"	\$922.00	4	186	10615-6	10616-6	10617-6
15"	\$1,218.00	5	193	10618-6	10619-6	10620-6
16"	\$1,384.00	5	208	10621-6	10622-6	10623-6
18"	\$1,499.00	6	244	10624-6	10625-6	10626-6
20"	\$1,718.00	6	296	10627-6	10628-6	10629-6
24"	\$1,991.00	8	325	10630-6	10631-6	10632-6
30"	\$2,724.00	9	527	10633-6	10634-6	10635-6
36"	\$3,045.00	11	615	10636-6	10637-6	10638-6

**CAST HEAD AUGERS****(Heavy-Duty)****Difficult Ground Conditions**

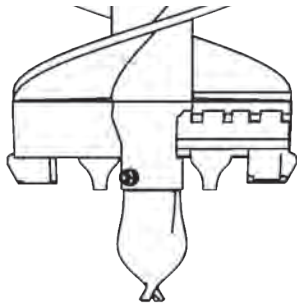
- Cast Steel Boring Head
- Hardened Drive-in Teeth (Dirt)
  - » Gage Teeth in Outermost Positions
  - » Chisel Teeth in Inner Positions
- Hardened Fishtail Point (Dirt)
- 5/16" Heavy-Duty Double Flighting on 8" Diameter & Larger; Single Flighting on 6"

**4' Length Augers - STANDARD**

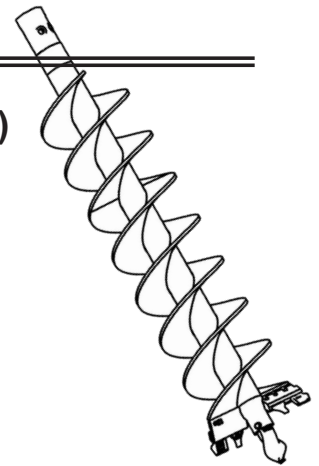
DIA.	PRICE	NO. OF TEETH	WT.	2" HEX PN	2-9/16" RD PN	2" RD PN
6"	\$526.00	2	48	10657	10658	10659
8"	\$758.00	4	83	10660	10661	10662
9"	\$817.00	4	89	10663	10664	10665
10"	\$842.00	4	102	10666	10667	10668
12"	\$867.00	4	117	10669	10670	10671
15"	\$1,095.00	6	139	10672	10673	10674
16"	\$1,179.00	6	148	10675	10676	10677
18"	\$1,289.00	6	168	10678	10679	10680
20"	\$1,802.00	6	231	10681	10682	10683
24"	\$1,802.00	8	210	10684	10685	10686
30"	\$2,372.00	10	280	10687	10688	10689
36"	\$2,696.00	12	376	10690	10691	10692
42"	\$3,725.00	16	460	10693	10694	---
48"	\$4,316.00	18	550	10696	10697	---

**3' Length Augers**

DIA.	PRICE	NO. OF TEETH	WT.	2" HEX PN	2-9/16" RD PN	2" RD PN
6"	\$507.00	2	40	10657-3	10658-3	10659-3
8"	\$689.00	4	67	10660-3	10661-3	10662-3
9"	\$734.00	4	70	10663-3	10664-3	10665-3
10"	\$740.00	4	74	10666-3	10667-3	10668-3
12"	\$778.00	4	81	10669-3	10670-3	10671-3
15"	\$985.00	6	90	10672-3	10673-3	10674-3
16"	\$1,036.00	6	96	10675-3	10676-3	10677-3
18"	\$1,167.00	6	108	10678-3	10679-3	10680-3
20"	\$1,567.00	6	122	10681-3	10682-3	10683-3
24"	\$1,588.00	8	154	10684-3	10685-3	10686-3
30"	\$2,075.00	10	209	10687-3	10688-3	10689-3
36"	\$2,200.00	12	276	10690-3	10691-3	10692-3
42"	\$3,417.00	16	416	10693-3	10694-3	---
48"	\$3,909.00	18	306	10696-3	10697-3	---

**CAST HEAD AUGERS (Heavy-Duty)****Difficult Ground Conditions**

- Cast Steel Boring Head
- Hardened Drive-in Teeth (Dirt)
  - » Gage Teeth in Outermost Positions
  - » Chisel Teeth in Inner Positions
- Hardened Fishtail Point (Dirt)
- 5/16" Heavy-Duty Double Flighting on 8" Diameter & Larger; Single Flighting on 6"

**5' Length Augers**

DIA.	PRICE	NO. OF TEETH	WT.	2" HEX PN	2-9/16" RD PN	2" RD PN
6"	\$658.00	2	62	10657-5	10658-5	10659-5
8"	\$847.00	4	121	10660-5	10661-5	10662-5
9"	\$894.00	4	125	10663-5	10664-5	10665-5
10"	\$1,014.00	4	143	10666-5	10667-5	10668-5
12"	\$1,036.00	4	158	10669-5	10670-5	10671-5
15"	\$1,196.00	6	167	10672-5	10673-5	10674-5
16"	\$1,226.00	6	180	10675-5	10676-5	10677-5
18"	\$1,362.00	6	209	10678-5	10679-5	10680-5
20"	\$1,870.00	6	241	10681-5	10682-5	10683-5
24"	\$2,007.00	8	269	10684-5	10685-5	10686-5
30"	\$2,604.00	10	374	10687-5	10688-5	10689-5
36"	\$2,814.00	12	502	10690-5	10691-5	10692-5
42"	\$4,515.00	16	611	10693-5	10694-5	---
48"	\$5,509.00	18	765	10696-5	10697-5	---

**6' Length Augers**

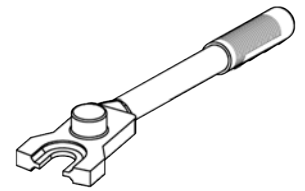
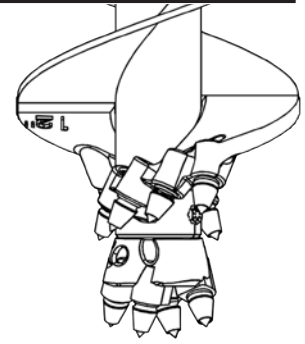
DIA.	PRICE	NO. OF TEETH	WT.	2" HEX PN	2-9/16" RD PN	2" RD PN
6"	\$718.00	2	70	10657-6	10658-6	10659-6
8"	\$946.00	4	138	10660-6	10661-6	10662-6
9"	\$992.00	4	140	10663-6	10664-6	10665-6
10"	\$1,059.00	4	146	10666-6	10667-6	10668-6
12"	\$1,083.00	4	189	10669-6	10670-6	10671-6
15"	\$1,317.00	6	196	10672-6	10673-6	10674-6
16"	\$1,553.00	6	212	10675-6	10676-6	10677-6
18"	\$1,574.00	6	246	10678-6	10679-6	10680-6
20"	\$2,081.00	6	284	10681-6	10682-6	10683-6
24"	\$2,247.00	8	327	10684-6	10685-6	10686-6
30"	\$3,058.00	10	529	10687-6	10688-6	10689-6
36"	\$3,285.00	12	616	10690-6	10691-6	10692-6
42"	\$5,715.00	16	791	10693-6	10694-6	---
48"	\$7,586.00	18	994	10696-6	10697-6	---



**BULLET ROCK AUGERS**

**Rock, Concrete, Asphalt, and Frozen Ground  
4' Length Augers**

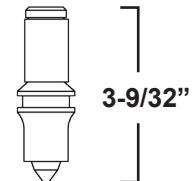
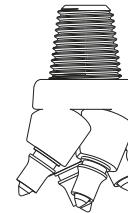
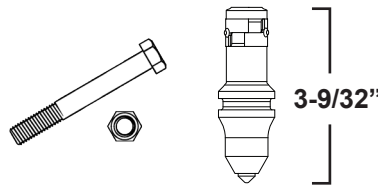
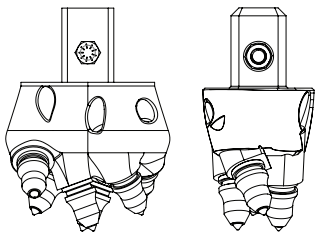
DIA.	PRICE	NO. OF TEETH	PILOT	WT.	2" HEX PN	2-9/16" RD PN
4.5"	\$1,190.00	4	---	73	200152	200153
6"	\$1,781.00	6	6-tooth	66	200155	200156
8"	\$2,016.00	8	4-tooth	94	200158	200159
9"	\$2,046.00	10	4-tooth	103	200161	200162
10"	\$2,099.00	10	4-tooth	113	200164	200165
12"	\$2,303.00	12	4-tooth	135	200167	200168
15"	\$2,645.00	14	4-tooth	171	200170	200171
18"	\$2,900.00	16	4-tooth	208	200173	200174
24"	\$3,456.00	20	4-tooth	291	200176	200177
30"	\$3,819.00	24	4-tooth	340	200179	200180
36"	\$4,327.00	28	4-tooth	395	200182	200183



Bullet Tooth Hammer & Puller	
PN 10766	\$309.00

**Bolt-on Pilot Style Parts**

**Screw-in Pilot Style Parts**



Bullet Rock Pilot (Bolt-on)		
6-tooth	PN 200251	\$706.00
4-tooth	PN 200192	\$524.00

Bullet Tooth & Pilot Hardware		
Tooth	PN 200281	\$28.00
Pilot Nut	PN 7733	\$0.32
Pilot Bolt	PN 10123	\$1.41

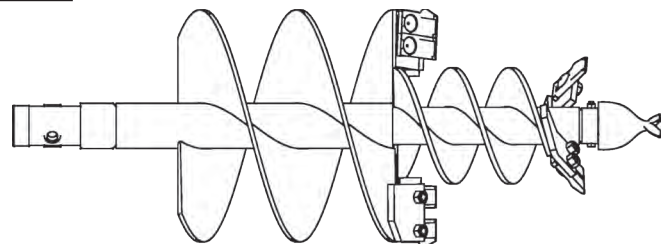
Bullet Rock Pilot (Screw-in)	
PN 10758	\$519.00

Bullet Tooth	
PN 10759	\$28.00

**TREE AUGERS**

**Tree and Shrub Planting  
4' Length Augers**

DIA.	PRICE	NO. OF TEETH	WT.	2" HEX PN	2-9/16" RD PN	2" RD PN
18"-9"	\$895.00	7	130	10639	10640	10641
24"-12"	\$1,181.00	10	186	10642	10643	10644
30"-15"	\$1,471.00	11	228	10645	10646	10647
36"-18"	\$1,768.00	13	304	10648	10649	10650

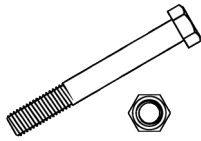


- Fabricated Boring Head
- Hardened Bolt-on Teeth (Dirt)
  - » Gage Teeth in Outermost Positions
  - » Wisdom Teeth in Inner Positions
- Hardened Fishtail Point (Dirt)
- 5/16" Heavy-Duty Double Flighting

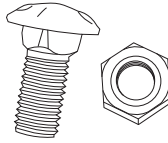


# DANUSER

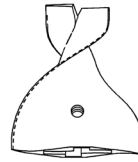
## AUGER POINTS, TEETH, HARDWARE



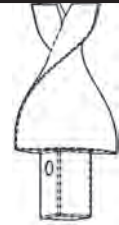
Point Hardware (Fab, Cast, Wobble, Tree)		
Nut	PN 10412	\$0.37
Bolt	PN 10413	\$0.80
Bolt for 4"	PN 10416	\$0.33



Tooth Hardware (for Fab Augers)		
Bolt	PN 10410	\$1.87
Nut	PN 10411	\$0.75



4" Auger Point	
PN 10333D	\$70.00
PN 10333HF	\$122.00
PN 10333C	\$225.00



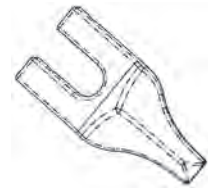
Fishtail Point	
PN 10331D	\$38.00
PN 10331HF	\$81.00
PN 10331C	\$200.00



Gage Tooth	
PN 10340D	\$6.30
PN 10340HF	\$13.35



Wisdom Tooth	
PN 10337D	\$6.30
PN 10337HF	\$13.35
PN 10337C	\$37.00

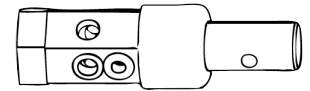


Chisel Tooth	
PN 10342D	\$6.30
PN 10342HF	\$14.75
PN 10342C	\$28.00

Dirt = D  
Hardfaced = HF  
Carbide = C

## ADAPTERS

Connect Danuser drive units to other augers or Danuser augers to other drive units.



DRIVE UNIT	AUGER	PRICE	WT.	PN
2" Hex	2-9/16" Rd.	\$302.00	18	10921
2" Hex	2" Rd.	\$278.00	18	10922
2-9/16" Rd.	2" Hex	\$182.00	14	10923
2-9/16" Rd.	2" Rd.	\$193.00	12	10924
2" Rd.	2" Hex	\$165.00	12	10925
2" Rd.	2-9/16" Rd.	\$184.00	11	10926

DRIVE UNIT	AUGER	PRICE	WT.	PN
2" Hex	2-9/16" Rd.	\$207.00	18	*20211
2-9/16" Rd.	2-9/16" Rd.	\$207.00	15	*20212
2" Hex	2" Rd.	\$207.00	18	*20214
2-9/16" Rd.	2" Rd.	\$207.00	12	*20215

\*Allows attachment of augers with 1/2" diameter bolt.

## 2" ROCK DRILL

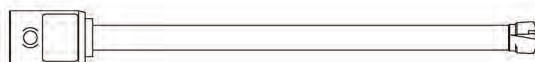
For pilot holes or setting posts up to 2" O.D. in solid rock

### T-Post & Pilot Holes 3' Length Augers

DIA.	PRICE	WT.	2" HEX PN	2-9/16" RD PN	2" RD PN
2"	\$454.00	30	10739	10743	10744



2" Rock Drill Pilot	
PN 10745	\$143.00

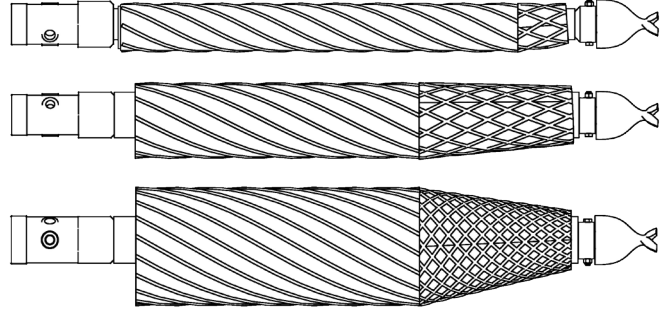




## WOBBLE AUGERS

Wobble Augers create a dirtless hole that is ideal for setting posts in concrete, sand, or gravel. 4" auger can be used as a pilot hole for post drivers.

- Pushes through dirt, sand, clay, asphalt, compacted and embedded rock, and frozen ground
- Rotates off-center to "wobble" a compacted hole
- Ideal for setting posts in concrete
- Won't leave excess loose material to clean up
- Eliminates extra time on the job and reduces labor costs
- Spiral & Checkered Hardfacing and hardened Fishtail Point (Dirt)
- Not for use on 3-point hitch mounted diggers.



### 4' Length Wobble Augers

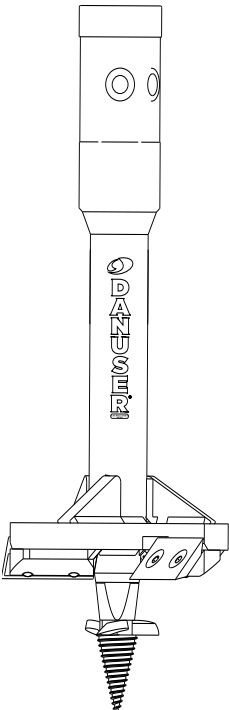
DIA.	PRICE	WT.	2" HEX PN	2-9/16" RD PN	2" RD PN
4"	\$456.00	58	20600	20601	20602
6"	\$576.00	86	20603	20604	20605
9"	\$881.00	122	20606	20607	20608

### Points

PN	DESCRIPTION	PRICE
10331D	Dirt	\$38.00
10331HF	Hardfaced	\$81.00

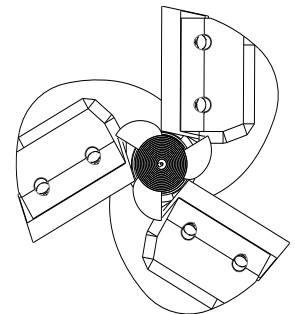
**NOTE:** The 9" Wobble Auger should be used on a vehicle with an Operating Load or Rated Operating Capacity of 2,250 lb. or greater, utilizing an auger drive with 2,000 ft.-lb. of torque or greater.

## STUMP AUGERS



The stump auger planes away stumps without requiring large, specialized equipment. A threaded pilot digs into the stump and large cutting blades then shave the stump away. The large cutting blades can be reversed and sharpened for extended cutting life.

- 2" hex collar
- Hardened steel cutting blades
  - » Reversible/indexable for more cutting per blade
- Hardened steel pilot with cutting blades
- 10" and 16" diameter options
  - » 10" for use with 1,700 ft.-lb. of torque and higher drive units
  - » 16" for use with 3,000 ft.-lb. of torque and higher drive units
- Overall length
  - » 27" for both sizes

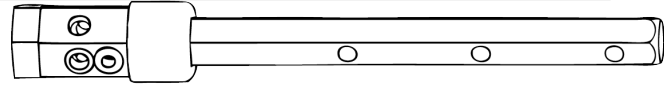


PN	DESCRIPTION	WT.	PRICE
190127	<b>Stump Auger - 10"</b> for use on EP1020 and larger	50	\$900.00
200199	<b>Stump Auger - 16"</b> for use on EP1530 and larger	70	\$1,030.00



## VARIABLE LENGTH EXTENSIONS

Variable length auger extensions store inside the center columns of some augers.  
 For Bullet Rock Augers, minimum diameter is 6".  
 For Fab, Cast, and Tree Augers, minimum diameter is 10".



Extension increments are every 6" on 12" - 24" auger extensions and every 12" on 48" - 72" auger extensions.

### 2" Hex

LENGTH	PRICE	WT.	PN
24"	\$303.00	32	10900
48"	\$418.00	56	10901
72"	\$544.00	84	10902

### 2-9/16" Round

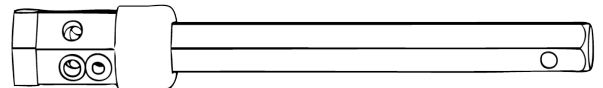
LENGTH	PRICE	WT.	PN
12"	\$223.00	22	10903
24"	\$311.00	38	10904
48"	\$432.00	73	10905
72"	\$573.00	84	10906

### 2" Round

LENGTH	PRICE	WT.	PN
24"	\$223.00	24	10907
48"	\$311.00	46	10908
72"	\$430.00	66	10909

## FIXED LENGTH EXTENSIONS

Fixed length auger extensions extend the auger's digging depth by the length of the extension.



### 2" Hex

LENGTH	PRICE	WT.	PN
12"	\$219.00	20	10910
24"	\$267.00	32	10911
48"	\$375.00	56	10912
72"	\$491.00	84	10913

### 2-9/16" Round

LENGTH	PRICE	WT.	PN
12"	\$219.00	38	10914
24"	\$267.00	40	10915
48"	\$375.00	76	10916
72"	\$519.00	110	10917

### 2" Round

LENGTH	PRICE	WT.	PN
24"	\$206.00	25	10918
48"	\$286.00	47	10919
72"	\$393.00	68	10920

## REPAIR PARTS & SAFETY SIGNS

To find repair parts and safety signs, see Danuser's online Parts Catalog at [parts.danuser.com](http://parts.danuser.com).  
 The Parts Catalog includes all current attachment parts and decals in a user-friendly, accessible, and portable format.  
 Be sure to have model and serial number at hand to find the correct items.

F.O.B. FULTON, MISSOURI

Dollars are U.S. Dollars.

Danuser reserves the right to make changes in design, specifications, and prices without notice and without incurring any obligation relating to such changes.

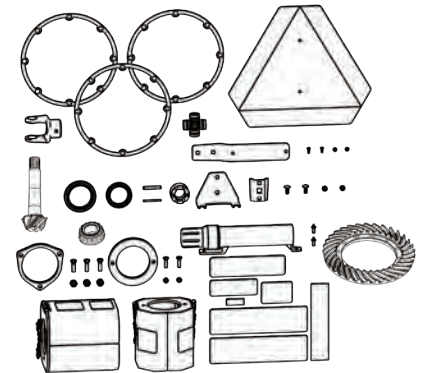
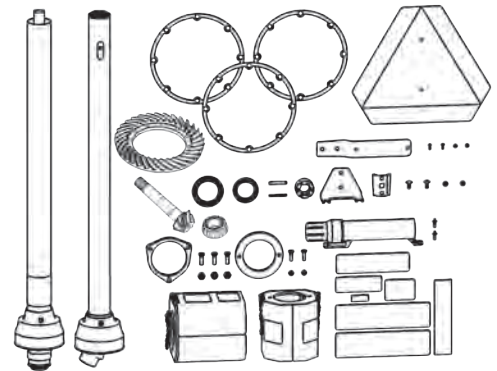


# AGRICULTURAL AUGERS, EXTENSIONS, ACCESSORIES, & CONVERSION KITS PRICE SHEET

**⚠ WARNING** This product can expose you to chemicals known to the State of California to cause cancer and birth defects or other reproductive harm. For more information go to [www.P65Warnings.ca.gov/product](http://www.P65Warnings.ca.gov/product).

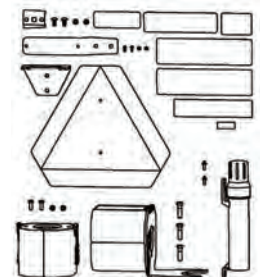
## F-SERIES CONVERSIONS

PN	DESCRIPTION	WT	PRICE
20050	<p><b>Conversion Kit</b> <span style="float: right;"><u>NET PRICE</u></span></p> <p>Converts any Danuser F-Series Digger to current production standards. <b>Includes</b> ring gear, pinion, pinion bearing, input guard, gaskets, grease seals, complete guarded driveline all the way to the tractor, auger adapter guard, a SMV (slow moving vehicle) kit with hardware, and an operator's manual canister with hardware.</p> <p>This kit is <b>required</b> on all F-Series diggers with serial numbers prior to 60000.  <b>NOTE:</b> welding will be required.</p>	72	\$786.00
20060	<p><b>Conversion Kit</b> <span style="float: right;"><u>NET PRICE</u></span></p> <p>Converts certain Danuser F8 Diggers to current production standards. <b>Includes</b> ring gear, pinion, pinion bearing, input guard, gasket, grease seals, all driveline parts out through the center cross at the U-Joint on the gearbox, auger adapter guard, a SMV (slow moving vehicle) kit with hardware, and an operator's manual canister with hardware.</p> <p>This kit is <b>required</b> on all F8 diggers with serial numbers ranging from 60001 to 71199.  <b>NOTE:</b> welding will be required.</p>	36	\$532.00



## G20/40 CONVERSION

PN	DESCRIPTION	WT	PRICE
20070	<p><b>Guard Kit</b> <span style="float: right;"><u>NET PRICE</u></span></p> <p>Furnished as part of the J20/80 &amp; G20/40 Digger Gearboxes. <b>Includes</b> input guard, auger adapter guard, a SMV (slow moving vehicle) kit with hardware, and an operator's manual canister with hardware.</p> <p>This kit is <b>required</b> on all G20/40 diggers with serial numbers prior to 11152.</p>	25	\$115.00



**KEY**

**(#)** Indicates augers with 3-5/8" center columns. If the customer's digger has a factory-installed 7270 auger adapter guard, it will cover all 2-3/8" center column augers. ADDITIONALLY, the customer will need (2) 9542 auger adapter shields when using 3-5/8" center column augers. **Required** on F8 machines with SN 80999 and below.

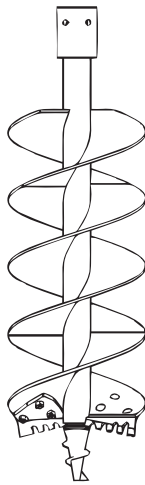
**AVAIL** Call Danuser for availability & pricing

**2-9/16" ROUND AUGERS**

Double Flight

**40" Hole Depth  
(Plain Edges)**

DIA	PN	WT	PRICE
4"	450	25	\$436.00
6"	417	39	\$480.00
9"	1551	46	\$492.00
10"	288	51	\$528.00
12"	412	62	\$562.00
14"	451	75	\$647.00
16"	7650	84	\$766.00
18"	1275	87	\$890.00
24"	1270	94	\$961.00
30"	7857	133	\$1,329.00
36"	9618	169	\$1,952.00



488 12" auger

**40" Hole Depth  
(Serrated Edges)**

DIA	PN	WT	PRICE
4"	---	---	---
6"	---	---	---
9"	1552	46	\$501.00
10"	487	51	\$538.00
12"	488	62	\$568.00
14"	489	77	\$659.00
16"	7665	84	\$771.00
18"	1276	88	\$898.00
24"	1272	94	\$974.00
30"	7935	135	\$1,347.00
36"	9614	182	\$1,960.00

**40" Hole Depth  
(Hole Digger Head)**

DIA	PN	WT	PRICE
4"	---	---	---
6"	---	---	---
9"	---	---	---
10"	---	---	---
12"	9316	69	AVAIL
14"	9317	85	AVAIL
16"	---	---	---
18"	9319	125	AVAIL
24"	(#) 9320	153	AVAIL
30"	(#) 9321	207	AVAIL
36"	---	---	---

**NOTE: PN 9618 and PN 9614 have 30" and 9" cutting edges.**

**52" Hole Depth  
(Plain Edges)**

DIA	PN	WT	PRICE
9"	7476	60	\$585.00
10"	7478	67	\$622.00
12"	7419	83	\$704.00
14"	7437	101	\$804.00
16"	7661	116	\$961.00

**52" Hole Depth  
(Serrated Edges)**

DIA	PN	WT	PRICE
9"	7497	60	\$587.00
10"	7498	68	\$625.00
12"	7499	84	\$713.00
14"	7519	103	\$813.00
16"	7734	118	\$973.00

**52" Hole Depth  
(Hole Digger Head)**

DIA	PN	WT	PRICE
9"	---	---	---
10"	---	---	---
12"	9324	92	AVAIL
14"	9325	112	AVAIL
16"	---	---	---



**KEY**

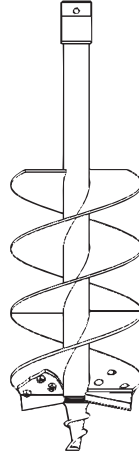
AVAIL Call Danuser for availability & pricing

**2" ROUND AUGERS**

Double Flight

**40" Hole Depth  
(Plain Edges)**

DIA	PN	WT	PRICE
4"	6101	19	\$314.00
6"	6029	29	\$334.00
9"	6030	39	\$395.00
12"	6032	51	\$465.00
14"	6034	65	\$558.00
16"	6036	69	\$652.00
18"	6038	65	\$714.00
24"	6040	91	\$823.00



6032 12" auger

**40" Hole Depth  
(Serrated Edges)**

DIA	PN	WT	PRICE
4"	---	---	---
6"	---	---	---
9"	6031	38	\$398.00
12"	6033	51	\$471.00
14"	6035	61	\$564.00
16"	6037	69	\$666.00
18"	6039	67	\$724.00
24"	6041	90	\$839.00

**40" Hole Depth  
(Hole Digger Head)**

DIA	PN	WT	PRICE
4"	---	---	---
6"	---	---	---
9"	---	---	---
12"	6123	59	AVAIL
14"	6124	72	AVAIL
16"	---	---	---
18"	6358	97	AVAIL

**2-9/16" ROUND STEPPED & ORCHARD AUGERS**

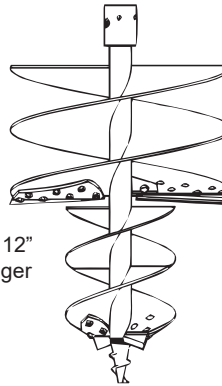
Double Flight for Tree Planting or Landscaping Applications

**33" Hole Depth  
(Plain Edges)**

DIA	PN	WT	PRICE
18" x 10"	9611	64	\$834.00

**40" Hole Depth  
(Plain Edges)**

DIA	PN	WT	PRICE
24" x 12"	9612	120	\$996.00
30" x 16"	9613	169	\$1,376.00



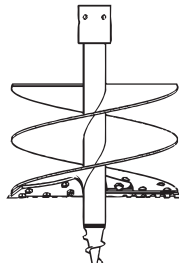
9612 24" x 12" stepped auger

**33" Hole Depth  
(Serrated Edges)**

DIA	PN	WT	PRICE
18" x 10"	9615	75	\$852.00

**40" Hole Depth  
(Serrated Edges)**

DIA	PN	WT	PRICE
24" x 12"	9616	119	\$1,033.00
30" x 16"	9617	168	\$1,413.00



9850 18" orchard auger

**29" Hole Depth  
(Serrated Edges)**

DIA	PN	WT	PRICE
18"	9850	64	\$701.00
24"	9849	89	\$798.00



## 2" ROUND STEPPED & ORCHARD AUGERS

Double Flight for Tree Planting or Landscaping Applications

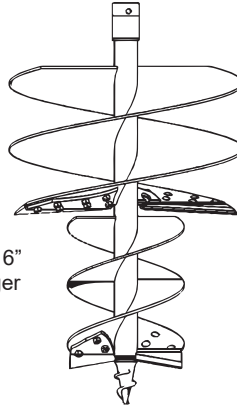
### 33" Hole Depth (Plain Edges)

DIA	PN	WT	PRICE
18" x 10"	6240	73	\$704.00

### 40" Hole Depth (Plain Edges)

DIA	PN	WT	PRICE
24" x 12"	6241	113	\$889.00
30" x 16"	6242	165	\$1,266.00

6242 30" x 16" stepped auger



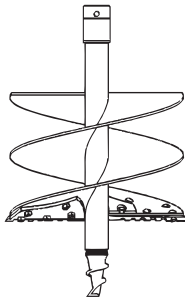
### 33" Hole Depth (Serrated Edges)

DIA	PN	WT	PRICE
18" x 10"	6248	72	\$721.00

### 40" Hole Depth (Serrated Edges)

DIA	PN	WT	PRICE
24" x 12"	6249	113	\$906.00
30" x 16"	6250	165	\$1,294.00

6256 18" orchard auger

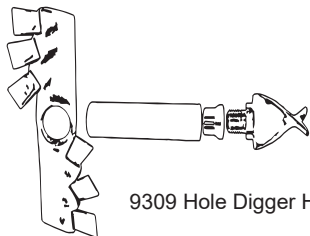


### 29" Hole Depth (Serrated Edges)

DIA	PN	WT	PRICE
18"	6256	62	\$623.00
24"	6255	86	\$701.00

## HOLE DIGGER HEADS

With removable teeth for field welding to plain and serrated augers



9309 Hole Digger Head

DIA	PN	WT	PRICE
6"	---	---	---
9"	---	---	---
10"	---	---	---
12"	9308	21	AVAIL
14"	9309	24	AVAIL

DIA	PN	WT	PRICE
16"	---	---	---
18"	9311	29	AVAIL
24"	9312	35	AVAIL
30"	9313	42	AVAIL
36"	---	---	---



## EXTENSIONS AND GUARDS

### KEY

(a) Includes Auger Adapter Guard

### AUGER EXTENSIONS - 2-9/16" ROUND

Shipped with auger extension guards

PN	DESCRIPTION	SIZE	WT	PRICE
(a) 1849G	Auger Extension SN 80999 & below	7"	30	\$272.00
20067	Auger Extension SN 81000 & above	7"	25	\$204.00
7494G	Auger Extension	14"	34	\$238.00
7663G	Auger Extension	21"	44	\$285.00
9486G	Auger Extension	48"	79	\$435.00
9489G	Auger Extension	72"	115	\$534.00

### AUGER EXTENSION GUARDS

For older extensions without auger extension guards

PN	DESCRIPTION	WT	PRICE
(a) 6271	<b>Extension Guard</b> For use with 2-9/16" round and 2" hex, 7" extension	14	\$62.00
6272	<b>Extension Guard</b> For use with 2-9/16" round and 2" hex, 14" extension and longer	6	\$24.00

### AUGER EXTENSIONS - 2" ROUND

Shipped with auger extension guards

PN	DESCRIPTION	SIZE	WT	PRICE
6080G	Auger Extension	7"	13	\$147.00
6204G	Auger Extension	14"	24	\$195.00
6207G	Auger Extension	21"	30	\$224.00

### AUGER EXTENSION GUARDS

For older extensions without auger extension guards

PN	DESCRIPTION	WT	PRICE
6269	<b>Extension Guard</b> For use with 2" round, 7" extension	3	\$18.00
6270	<b>Extension Guard</b> For use with 2" round, 14" extension	6	\$24.00

## REPAIR PARTS & SAFETY SIGNS

To find repair parts and safety signs, see Danuser's online Parts Catalog at [parts.danuser.com](http://parts.danuser.com).

The Parts Catalog includes all current attachment parts and decals in a user-friendly, accessible, and portable format.

Be sure to have model and serial number at hand to find the correct items.

F.O.B. FULTON, MISSOURI

Dollars are U.S. Dollars.

Danuser reserves the right to make changes in design, specifications, and prices without notice and without incurring any obligation relating to such changes.



# DISPLAY STANDS PRICE SHEET

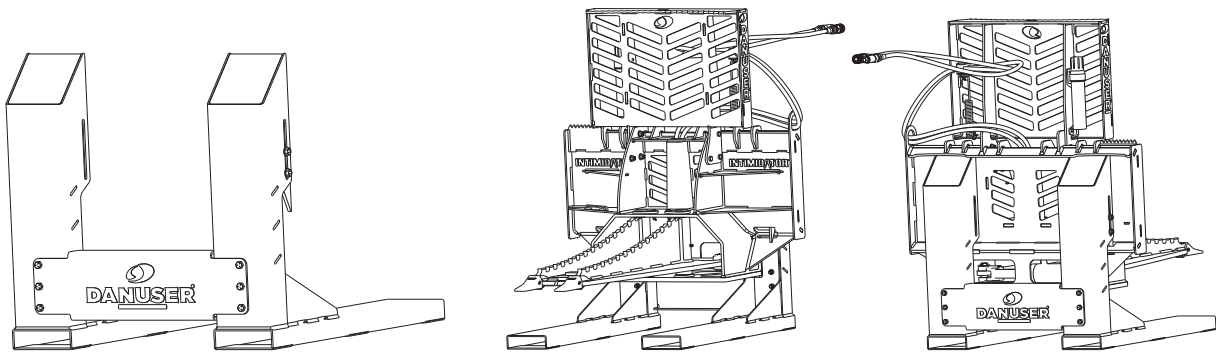
These items are net priced (no discount).

**⚠ WARNING** This product can expose you to chemicals known to the State of California to cause cancer and birth defects or other reproductive harm. For more information go to [www.P65Warnings.ca.gov/product](http://www.P65Warnings.ca.gov/product).

**NOTE:** Display stands do not include attachments, mounts, augers, or accessories.

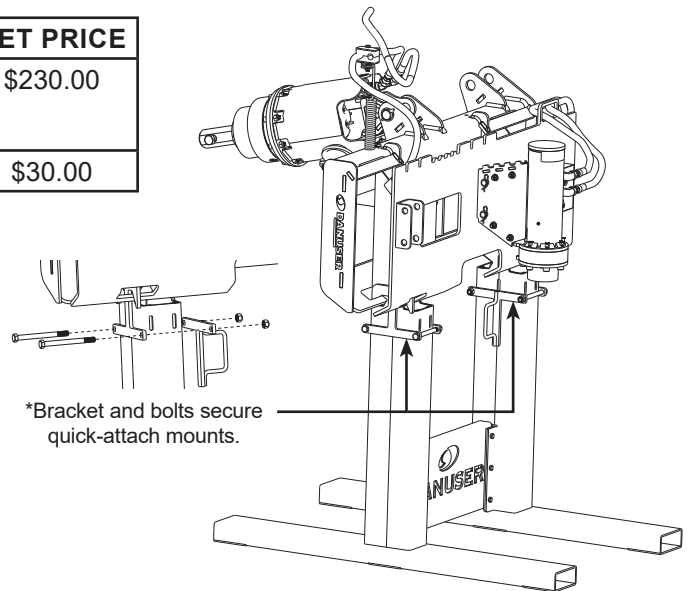
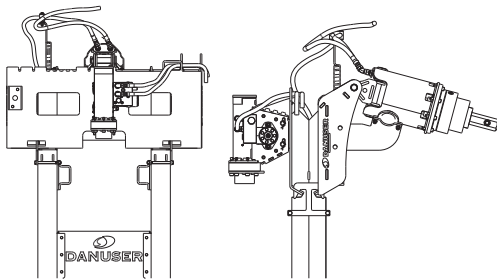
## SINGLE SIDED SKID-STEER DISPLAY STAND

PN	DESCRIPTION	WT.	NET PRICE
210230	SM40, LM40, CB40 Hammer, Hornet, Mega Mixer, MAC Bucket, Intimidator, and Multi-Purpose Grapple Display Stand	160	\$225.00
21260	EM40 Hammer Display Stand (Not Pictured)	140	\$263.00



## DOUBLE SIDED SKID-STEER DISPLAY STAND

PN	DESCRIPTION	WT.	NET PRICE
20029	Skid-Steer Display Stand Danuser EP Auger Systems and T3 Driver only. Includes two brackets* to secure mounts.	176	\$230.00
233002	Display Stand Lock Kit	13	\$30.00

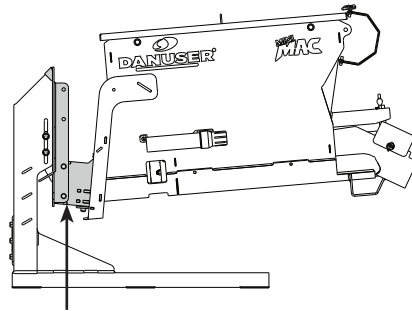
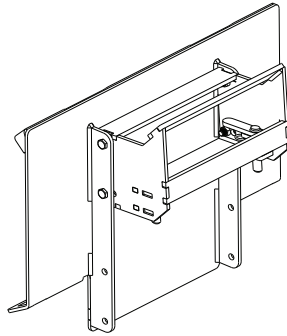


\*Bracket and bolts secure two mounts together on stand, or may be used to secure a single mount.



## MINI-SKID-STEER PLATE ADAPTER

PN	DESCRIPTION	WT.	NET PRICE
250120	<b>Mini-Skid-Steer Plate Adapter</b> Use with PN 210230 or PN 20029 to display mini-skid-steer quick attach mounts and attachments. Adapter does not fit on vehicles.	95	\$120.00

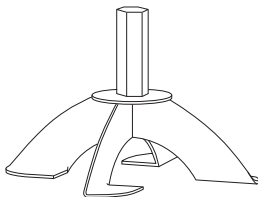


\*Adapter only. Stand not included.

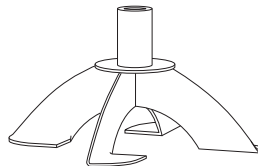
## AUGER DISPLAY STAND

PN	DESCRIPTION	WT.	NET PRICE
20021-2H	<b>2" Hex Auger Display Stand</b>	12	\$38.00
20021-256R	<b>2 9/16" Round Auger Display Stand</b>	12	\$38.00
20021-2R*	<b>2" Round Auger Display Stand</b>	12	\$38.00

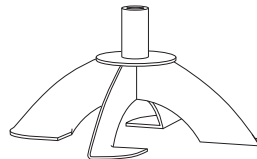
\*May be used with Python Wire Winder.



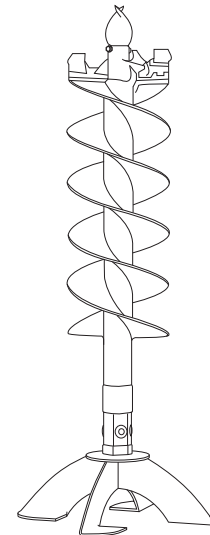
PN 20021-2H



PN 20021-256R



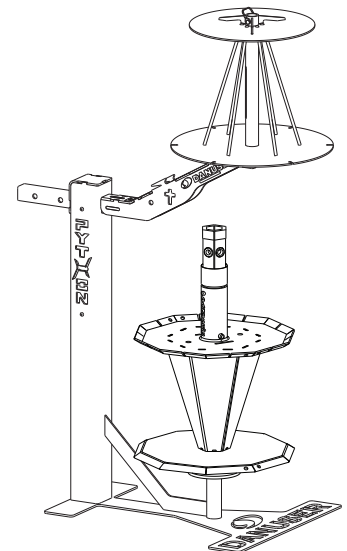
PN 20021-2R\*



## PYTHON DISPLAY STAND

PN	DESCRIPTION	WT.	NET PRICE
193000	<b>Python Display Stand</b> A single stand mounts both Python Wire Winder and Python Wire Unroller.*	65	\$157.00

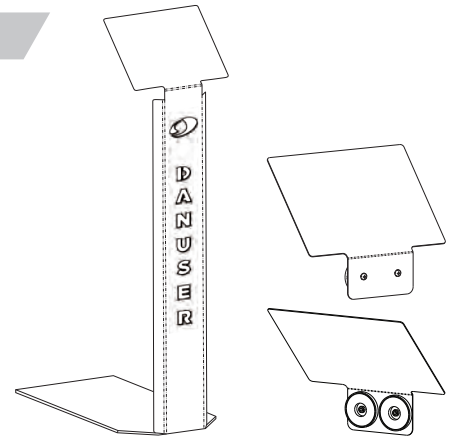
\* Display Stand height increased due to Wire Winder height revision in March 2025.





**PRODUCT INFORMATIONAL DISPLAY STAND**

PN	DESCRIPTION	WT.	NET PRICE
20192	<b>Product Informational Display Stand</b> Used for displaying product informational sheets.	28	\$50.00
253000	<b>Product Informational Display Plate</b> Comes with two (2) magnets that can be placed on either side of the plate to display in multiple angles.	3	\$10.00

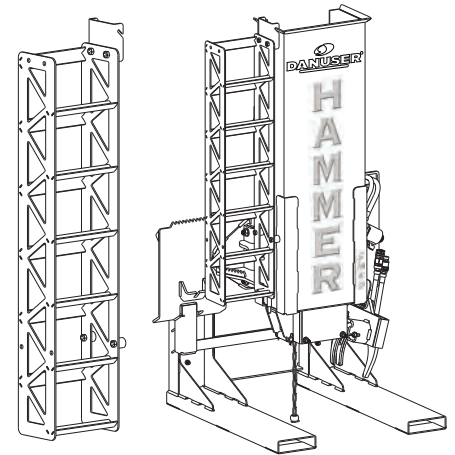


PN 20192

PN 253000

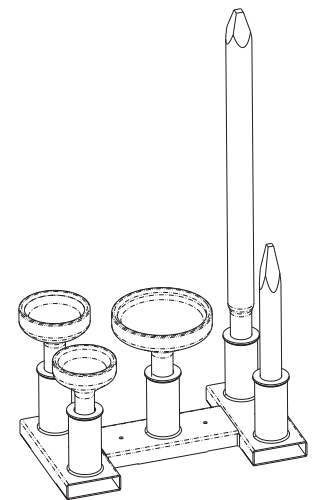
**HAMMER STRIKE PLATE DISPLAY STAND**

PN	DESCRIPTION	WT.	NET PRICE
179180	<b>Strike Plate Display Stand</b> Displays up to six Hammer strike plates. May be mounted on side of Hammer.	36	\$121.00



**HORNET DRIVING TOOL DISPLAY STAND**

PN	DESCRIPTION	WT.	NET PRICE
250070	<b>Driving Tool Display Stand</b>	112	\$175.00



F.O.B. FULTON, MISSOURI

Dollars are U.S. Dollars.

Danuser reserves the right to make changes in design, specifications, and prices without notice and without incurring any obligation relating to such changes.