



2026 PRICE BOOK



Cummings and Bricker



Warranty

One Year Limited Consumer Warranty

**Two Year Limited Commercial Warranty on
HLA Snow 3000 to 6000 series blades**

Warranty is active at the time of customer delivery and any claims require the product model and serial number.

All claims must be discussed with a representative from the distributor prior to any repairs / replacement or warranty will be void.

This new and unused product is warranted by Horst Welding, to be free from defects in material and workmanship under normal use and regular service as described in the owner's manual, for a period of 1 year from the date of delivery, and a commercial period of 2 years for HLA Snow 3000, 4000, 5000 and 6000 series blades from the date of delivery. Warranty is limited to the repair of the product and / or replacement of parts.

Customer: If issues develop within the warranty period with the product, contact the local dealer from which you purchased the unit. Only Horst authorized dealers may make repairs to the product or affect the replacement of defective parts, unless otherwise approved by Horst.

Distributor / Dealer: must notify Horst Welding of the defect before repair / replacement is made. Recommended repairs / re-placement and cost are to be discussed with, and agreed on, by an authorized Horst Welding representative. All claims must be accompanied by a photograph of the defective product.

Defective products may be required to be returned to Horst Welding in Listowel, Ontario at the request of Horst Welding. Repairs / Replacement will be done at no charge to the customer within a reasonable time after the receipt of the product.

This warranty does not cover the following items:

1. Normal replacement of service items.
2. Normal maintenance or adjustments.
3. Machines or parts lost or damaged during shipment,
4. Accessory items / parts not supplied by Horst Welding
5. Damages resulting from:
 - misuse, negligence, accident, theft or fire
 - use of improper or insufficient fuel, fluids or lubricants
 - use of after market parts or accessories, unless approved by Horst Welding
 - modifications, alteration, tampering or improper repair
 - any device or accessories installed other than an authorized dealer.
 - using incorrect supplies or supplies not specified in the owners manual.

Horst shall not, in any event, be liable for any losses, damages or costs; to include profits, travel, transportation, pick up, delivery, towing cost, tow vehicle, loss of use, whether special, incidental, consequential or otherwise, in any way. Unit or parts are returned at the customer's expense.

There are no warranties, expressed or implied, other than those specified herein. No agent, employee or other person has any authority to vary any of the foregoing provisions.

All claims must be discussed with a representative from the distributor prior to any repairs.

To Determine Price

1. First determine Price Code by finding your particular loader or skidsteer model (in back of price book)
2. Find your particular attachment
3. Use applicable Price Code

Example: For 10' 4500 Series Snow Pusher to fit NH 7614 Qtach loader
Price Code C
Price would be \$8156.00

To Order

1. Combine Part # of attachment with Part # of loader model

Example: For 10' 4500 Series Snow Pusher to fit NH 7614 Qtach loader
Part # of snow pusher is SP450010
Part # of loader is NH7614
Join both numbers (attachment Part # first) to make Part# SP450010NH7614

Note

To price HLA attachments less loader mounts, deduct \$118.00 from Price Code A

Although the information presented in this price list is believed to be accurate and reliable, no responsibility for inaccuracies can be assumed by Horst Welding.
Horst Welding reserves the right at any time to change products, specifications or prices without prior notice.

Printed in Canada.

Index

Brooms - Hydraulic Rotary	34
Hydraulic Rotary Broom	34
Buckets	35
High Volume Skidsteer Snow Basket	35
High Volume Skidsteer Snow Bucket	35
Electrical Wiring Kit - For OEM Connection	40
Optional OEM Connection Wire Kit for Brooms	41
Optional OEM Connection Wire Kit for all Snow Wing Series	40
Optional OEM Connection Wire Kit for SB36/4600V & SP3530W Series	40
Foot Switch	38
Loader Order Mounting Codes	63
Order Form	93
SB2000DM Quick Attach Snow Blade Mount	42
SB2QDM Quick Attach Snow Blade Mount	44
SB3QDM Quick Attach Snow Blade Mount	46
SB4QDM Quick Attach Snow Blade Mount	48
SB5QDM Quick Attach Snow Blade Mount	54
Skidsteer Order Mounting Codes	88
1000 Series	9
1000 Series Snow Blade	9
1000 Series Snow Blade Options	9
6-Way	4
3600 Series 6-Way Snow Blade	4
3600 Series 6-Way Snow Blade Options	4
4600 Series 6-Way Snow Blade	5
4600 Series 6-Way Snow Blade Options	5
1500 Series	6
1500 Series Bolt-On Back Drag Option	7
1500 Series Snow Pusher	6
1500 Series Snow Pusher Options	6
1500 Series TURF Snow Pusher	7
1500M Series Snow Pusher	6
1800 Series	8
1800 Series Bolt-On Back Drag Option	8
1800 Series Snow Pusher	8
1800 Series Snow Pusher Options	8
2000 Series	11
2000 Series Snow Blade	11
2000 Series Snow Blade Options	11
2500 & 3500 Series Three Point Hitch Mount	14
2500 Series	10
2500 Series Bolt-On Back Drag Option	10
2500 Series Snow Pusher	10
2500 Series Snow Pusher Options	10
2500 Series TURF Snow Pusher	11
3000 Series	16
3000 Series Snow Blade	16
3000 Series Snow Blade Options	16
3230 Series	17
3230 Series 10" Bolt-On Spill Guard	18
3230 Series Snow Wing	17
3230W Series Snow Wing Options	18
3400 Series	12
3400 Series Bolt-On Back Drag Option	12
3400 Series Snow Pusher	12
3500 Series	13
3400/3500 Series Snow Pusher Options	13
3500 Series Bolt-On Snow Back Drag Option	14
3500 Series Snow Pusher Options	13
3500X Series Expandable Snow Pusher	14
3530 Series	15
3530W/3500X Series Options	15
3530W Series Snow Pusher with Wings	15
4000 Series	20
4000 Series Snow Blade	20
4000 Series Snow Blade Options	20
4203 Series	21
4203/4205 Series 12" Bolt-On Spill Guard	21
4203 Series Snow Wing	21
4205 Series	22
4203W & 4205W Series Snow Wing Options	22
4205 Series Snow Wing	22
4500 Series	18
4500 Series Snow Pusher	18
4500 Series Snow Pusher c/w Lateral Float	19
4500 Series Snow Pusher Options	19
4500 Series Bolt-On Back Drag Option	19
5000 Series	27
5000 Series Snow Blade	27
5000 Series Snow Blade Options	27
5203 Series	28
5203/5205 Series 12" Bolt-On Spill Guard	28
5203 Series Snow Wing	28
5205 Series	29
5203W & 5205W Series Snow Wing Options	29
5205 Series Snow Wing	29
5500 Series	23
5500 Series Bolt-On Back Drag Option	24
5500 Series Snow Pusher	23
5500 Series Snow Pusher c/w Lateral Float	24
5500 Series Snow Pusher Options	24
5505 Series	25
5505 Series Snow Pusher	25
5505 Series Snow Pusher c/w Lateral Float	26
5505 Series Snow Pusher Options	26
6000 Series	32
6000 Series Snow Blade	32
6000 Series Snow Blade Options	32
6205 Series	33
6205 Series 12" Bolt-On Spill Guard	34
6205 Series Snow Wing	33
6205W Series Snow Wing Options	34
6500 Series	30
6500 Series Snow Pusher	30
6500 Series Snow Pusher c/w Lateral Float	31
6500 Series Snow Pusher Options	31
Options	38
ScatterShot	36
HS100 Series ScatterShot	36
HS200 Series ScatterShot	36
HS Series ScatterShot Accessories	36
HS300 Series ScatterShot	37
V-Blade	4
V-Blade	4
Undercarriage Mounts for Older Tractors	58

V-Blade



- Replaceable 5/8" AR400 cutting edge
- QTach or direct fit to accept most makes of loaders
- 24" high mouldboard
- Sliding hinge allows blade to follow contour of surface
- Optional 6" side flares available
- Includes abrasion and wear-resistant AR400 nose and skid shoes

VP60

V-Blade	Weight in lbs	Part #	Price Code			
			A	B	C	D
Max Operating Weight 10,000 lbs						
48" Wide V-Blade	500	VP48	\$3,558.00	\$3,671.00	\$3,784.00	\$3,926.00
48" Wide V-Blade w/ 6" Flares	515	VPFL48	\$3,841.00	\$3,954.00	\$4,067.00	\$4,209.00
54" Wide V-Blade	520	VP54	\$3,712.00	\$3,825.00	\$3,938.00	\$4,080.00
54" Wide V-Blade w/ 6" Flares	535	VPFL54	\$3,983.00	\$4,096.00	\$4,209.00	\$4,351.00
60" Wide V-Blade	545	VP60	\$3,806.00	\$3,919.00	\$4,032.00	\$4,174.00
60" Wide V-Blade w/ 6" Flares	560	VPFL60	\$4,083.00	\$4,196.00	\$4,309.00	\$4,451.00

6-Way



- Ideal sidewalk blade for compact tractors and skidsteers
- 35° angle with cross-over relief valve protection
- 30" high mouldboard with lateral float
- Includes abrasion and wear-resistant AR400 skid shoes
- Spring trip cutting edge
- Single electric selector valve with electro-hydraulic harness kit. 12V or 24V coils available
- 5/8" AR600 cutting edge
- **2 Year Commercial Warranty**



SB3600V60

3600 Series 6-Way Snow Blade	Weight in lbs	Part #	Price Code			
			A	B	C	D
Max Operating Weight 10,000 lbs						
54" 6-Way Snow Blade	695	SB3600V54	\$6,254.00	\$6,367.00	\$6,480.00	\$6,622.00
60" 6-Way Snow Blade	720	SB3600V60	\$6,555.00	\$6,668.00	\$6,781.00	\$6,923.00
66" 6-Way Snow Blade	740	SB3600V66	\$6,868.00	\$6,981.00	\$7,094.00	\$7,236.00
72" 6-Way Snow Blade	765	SB3600V72	\$7,163.00	\$7,276.00	\$7,389.00	\$7,531.00
78" 6-Way Snow Blade	785	SB3600V78	\$7,558.00	\$7,671.00	\$7,784.00	\$7,926.00
84" 6-Way Snow Blade	805	SB3600V84	\$7,783.00	\$7,896.00	\$8,009.00	\$8,151.00

For complete price add Wire Kit price to SB3600V of choice

Wire Kit for 6-Way Blade - Must choose 1	Part #	Price
Complete Single Diverter Wire Kit w/ 2 Way Switch	WKDV1	\$549.00
OEM Connection Wire Kit (See Info on Page 40)		

3600 Series 6-Way Snow Blade Options	UOM	Part #	Price
Carbide Tipped Steel Cutting Edge Kit (priced in lieu of standard steel edge) (See Info on Page 38)	ft	586CCE	\$83.00
90" Hose Kit c/w Flat Faced Couplers	ea	HK90	\$313.00
Snow Blade Marker (See Info on Page 38)	ea	SBM27	\$61.00
Curb Runner (Left Side)	ea	LP101905	\$254.00
Curb Runner (Right Side)	ea	LP101904	\$254.00
SB2000DM Snow Blade Mount (HLA2DM models) (See Info on Page 42)			

3600 Series 6-Way Snow Blade Widths				
Model	Clearing Width Straight	Clearing Width Veed	Clearing Width Scooped	Road Clearance Angled
SB3600V54	54"	51"	39"	48"
SB3600V60	60"	56"	43"	53"
SB3600V66	66"	61"	48"	58"
SB3600V72	72"	66"	53"	63"
SB3600V78	78"	71"	58"	68"
SB3600V84	84"	76"	63"	73"



SB4600V10

- Ideal for small roadways & driveways
- Spring trip cutting edge
- 35° angle with cross-over relief valve protection
- 34" high mouldboard with lateral float
- Includes abrasion and wear-resistant AR400 skid shoes
- Single electric selector valve with electro-hydraulic harness kit. 12V or 24V coils available
- Reversible 3/4" Hardox 450 cutting edge
- **2 Year Commercial Warranty**



4600 Series 6-Way Snow Blade	Weight	Part #	Price Code			
	in lbs		A	B	C	D
Max Operating Weight 25,000 lbs						
4600V 6-Way Snow Blade Frame	270	SB1064	\$1,416.00	\$1,529.00	\$1,642.00	\$1,784.00
4600V 6-Way Snow Blade Frame w/ Floating Blade Hinge	435	SB1064F	\$2,785.00	\$2,898.00	\$3,011.00	\$3,153.00

Wire Kit for 6-Way Blade - Must choose 1	Part #	Price
Complete Single Diverter Wire Kit w/ 2 Way Switch	WKDV1	\$549.00
OEM Connection Wire Kit (See Info on Page 40)		

	Weight	Part #	Price
96" 6-Way Snow Blade (LESS FRAME)	1365	SB4600V08LF	\$9,588.00
108" 6-Way Snow Blade (LESS FRAME)	1450	SB4600V09LF	\$10,308.00
120" 6-Way Snow Blade (LESS FRAME)	1535	SB4600V10LF	\$11,051.00
144" 6-Way Snow Blade (LESS FRAME)	1705	SB4600V12LF	\$12,520.00
Install Frame on Blade			\$89.00
For complete price add SB1064 price & Wire Kit price to SB4600V of choice			

4600 Series 6-Way Snow Blade Options	UOM	Part #	Price
90" Hose Kit c/w Flat Faced Couplers	ea	HK90	\$313.00
Snow Blade Marker (See Info on Page 38)	ea	SBM27	\$61.00
SB4QDM Quick Attach Snow Blade Mount (See Info on Page 48)			

4600 Series 6-Way Snow Blade Widths				
Model	Clearing Width Straight	Clearing Width Veed	Clearing Width Scooped	Road Clearance Angled
SB4600V08	96"	84"	75"	83"
SB4600V09	108"	94"	85"	93"
SB4600V10	120"	103"	95"	103"
SB4600V12	144"	113"	105"	123"

1500 Series



SP150060

- Double sidewall, slim brace design for reduced material build-up
- Bucket edge mount or QTach available
- 20" high mouldboard
- 18" deep fixed end plates
- Replaceable, reversible cutting edge
- Adjustable / replaceable skid bars
- Bolt-on attachment frame has 3 angle settings (80°, 90°, 100°)



1500 Series Snow Pusher	Weight	Part #	Price Code			
Max Operating Weight 3,000 lbs	in lbs		A	B	C	D
1500 Snow Pusher Bolt on Kit	135	BOKSP1	\$419.00	\$532.00	\$645.00	\$787.00

	Weight	Part #	Price
54" Snow Pusher (Steel Edge) (LESS FRAME)	195	SP150054LF	\$1,003.00
54" Snow Pusher (Rubber Edge) (LESS FRAME)	195	SP1500R54LF	\$1,003.00
60" Snow Pusher (Steel Edge) (LESS FRAME)	205	SP150060LF	\$1,104.00
60" Snow Pusher (Rubber Edge) (LESS FRAME)	205	SP1500R60LF	\$1,104.00
66" Snow Pusher (Steel Edge) (LESS FRAME)	220	SP150066LF	\$1,198.00
66" Snow Pusher (Rubber Edge) (LESS FRAME)	220	SP1500R66LF	\$1,198.00
72" Snow Pusher (Steel Edge) (LESS FRAME)	230	SP150072LF	\$1,534.00
72" Snow Pusher (Rubber Edge) (LESS FRAME)	230	SP1500R72LF	\$1,534.00
Install Bolt on Kit on Pusher			\$89.00
Bucket Edge Mount Add "B" to Part # & Use Price Code C			
For complete price add BOKSP1 price to SP1500 of choice			

1500 Series Snow Pusher Options	UOM	Part #	Price
Poly Bolt-on Endplate Runner (priced in lieu of steel end runner)	set	SP15WPWU	\$307.00
Snow Blade Marker (See Info on Page 38)	ea	SBM27	\$61.00



SP1500M48

- Double sidewall, slim brace design for reduced material build-up
- Bucket edge mount or QTach available
- 20" high mouldboard
- 18" deep fixed end plates
- Replaceable, reversible cutting edge
- Adjustable / replaceable skid bars
- Bolt-on attachment frame has 3 angle settings (80°, 90°, 100°)

1500M Series Snow Pusher	Weight	Part #	Price Code			
Max Operating Weight 3,000 lbs	in lbs		A	B	C	D
1500 Snow Pusher Bolt on Kit	135	BOKSP1M	\$419.00	\$532.00	\$645.00	\$787.00

	Weight	Part #	Price
36" Snow Pusher (Steel Edge) (LESS FRAME)	160	SP1500M36LF	\$933.00
36" Snow Pusher (Rubber Edge) (LESS FRAME)	160	SP1500MR36LF	\$933.00
42" Snow Pusher (Steel Edge) (LESS FRAME)	175	SP1500M42LF	\$956.00
42" Snow Pusher (Rubber Edge) (LESS FRAME)	175	SP1500MR42LF	\$956.00
48" Snow Pusher (Steel Edge) (LESS FRAME)	185	SP1500M48LF	\$980.00
48" Snow Pusher (Rubber Edge) (LESS FRAME)	185	SP1500MR48LF	\$980.00
54" Snow Pusher (Steel Edge) (LESS FRAME)	200	SP1500M54LF	\$1,003.00
54" Snow Pusher (Rubber Edge) (LESS FRAME)	200	SP1500MR54LF	\$1,003.00
60" Snow Pusher (Steel Edge) (LESS FRAME)	210	SP1500M60LF	\$1,104.00
60" Snow Pusher (Rubber Edge) (LESS FRAME)	210	SP1500MR60LF	\$1,104.00
Install Bolt on Kit on Pusher			\$89.00
Bucket Edge Mount Add "B" to Part # & Use Price Code C			
For complete price add BOKSP1M price to SP1500M of choice			



SP150054BDK

- Ideal for back dragging away from doors etc.
- Edges are drilled for either rubber or steel optional bolt on cutting edge
- Easy bolt on option

1500 Series Bolt-On Back Drag Option	Weight	UOM	Part #	Price
36" 1500 Series Back Drag Option (Welded Steel Edge)	52 lbs	ea	SP150036BDK	\$443.00
36" 1500 Series Back Drag Option (Rubber Edge)	72 lbs	ea	SP150036BDKR	\$692.00
42" 1500 Series Back Drag Option (Welded Steel Edge)	58 lbs	ea	SP150042BDK	\$455.00
42" 1500 Series Back Drag Option (Rubber Edge)	81 lbs	ea	SP150042BDKR	\$745.50
48" 1500 Series Back Drag Option (Welded Steel Edge)	64 lbs	ea	SP150048BDK	\$467.00
48" 1500 Series Back Drag Option (Rubber Edge)	90 lbs	ea	SP150048BDKR	\$799.00
54" 1500 Series Back Drag Option (Welded Steel Edge)	65 lbs	ea	SP150054BDK	\$478.00
54" 1500 Series Back Drag Option (Rubber Edge)	97 lbs	ea	SP150054BDKR	\$851.50
60" 1500/1800 Series Back Drag Option (Welded Steel Edge)	71 lbs	ea	SP150060BDK	\$508.00
60" 1500/1800 Series Back Drag Option (Rubber Edge)	104 lbs	ea	SP150060BDKR	\$923.00
66" 1500/1800 Series Back Drag Option (Welded Steel Edge)	77 lbs	ea	SP150066BDK	\$543.00
66" 1500/1800 Series Back Drag Option (Rubber Edge)	112 lbs	ea	SP150066BDKR	\$999.50
72" 1500/1800 Series Back Drag Option (Welded Steel Edge)	86 lbs	ea	SP150072BDK	\$573.00
72" 1500/1800 Series Back Drag Option (Rubber Edge)	131 lbs	ea	SP150072BDKR	\$1,071.00
Optional Steel Bolt On Edge		ft	124BDCE	\$43.00
Install Back Drag				\$89.00

1500 Series



SP1500T60

- Smooth contact edge is ideal for clearing snow from turf sports fields
- Smooth round pipe replaces the cutting edge and runner
- Bucket edge mount or QTach available

1500 Series TURF Snow Pusher	Weight	Part #	Price Code			
Max Operating Weight 3,000 lbs	in lbs		A	B	C	D
1500 TURF Snow Pusher Bolt on Kit	135	BOKSP1	\$419.00	\$532.00	\$645.00	\$787.00

	Weight	Part #	Price
54" TURF Snow Pusher (LESS FRAME)	195	SP1500T54LF	\$1,475.00
60" TURF Snow Pusher (LESS FRAME)	205	SP1500T60LF	\$1,564.00
66" TURF Snow Pusher (LESS FRAME)	220	SP1500T66LF	\$1,688.00
72" TURF Snow Pusher (LESS FRAME)	230	SP1500T72LF	\$2,030.00
Install Bolt on Kit on Pusher			\$89.00
Bucket Edge Mount Add "B" to Part # & Use Price Code C			
For complete price add BOKSP1 price to SP1500T of choice			

1800 Series



- Double sidewall, slim brace design for reduced material build-up
- Bucket edge mount or QTach available
- 24" high mouldboard
- 21" deep fixed end plates
- Replaceable, reversible steel cutting edge
- Adjustable / replaceable skid bars
- Bolt-on attachment frame has 3 angle settings (80°, 90°, 100°)



SP180072

1800 Series Snow Pusher	Weight in lbs	Part #	Price Code			
			A	B	C	D
Max Operating Weight 4,000 lbs						
1800 Snow Pusher Bolt on Kit	135	BOKSP1	\$419.00	\$532.00	\$645.00	\$787.00

	Weight	Part #	Price
60" Snow Pusher (Steel Edge) (LESS FRAME)	335	SP180060LF	\$1,416.00
60" Snow Pusher (Rubber Edge) (LESS FRAME)	335	SP1800R60LF	\$1,416.00
72" Snow Pusher (Steel Edge) (LESS FRAME)	375	SP180072LF	\$1,788.00
72" Snow Pusher (Rubber Edge) (LESS FRAME)	375	SP1800R72LF	\$1,788.00
84" Snow Pusher (Steel Edge) (LESS FRAME)	420	SP180084LF	\$2,166.00
84" Snow Pusher (Rubber Edge) (LESS FRAME)	420	SP1800R84LF	\$2,166.00
Install Bolt on Kit on Pusher			\$89.00
Bucket Edge Mount Add "B" to Part # & Use Price Code C			
For complete price add BOKSP1 price to SP1800 of choice			

1800 Series Snow Pusher Options	UOM	Part #	Price
Poly Bolt-on Endplate Runner (priced in lieu of steel end runner)	set	SP180WPWU	\$337.00
Snow Blade Marker (See Info on Page 38)	ea	SBM27	\$61.00

1800 Series Bolt-On Back Drag Option	Weight	UOM	Part #	Price
60" 1500/1800 Series Back Drag Option (Welded Steel Edge)	71 lbs	ea	SP150060BDK	\$508.00
60" 1500/1800 Series Back Drag Option (Rubber Edge)	104 lbs	ea	SP150060BDKR	\$923.00
72" 1500/1800 Series Back Drag Option (Welded Steel Edge)	86 lbs	ea	SP150072BDK	\$573.00
72" 1500/1800 Series Back Drag Option (Rubber Edge)	131 lbs	ea	SP150072BDKR	\$1,071.00
84" 1800 Series Back Drag Option (Welded Steel Edge)	99 lbs	ea	SP150084BDK	\$649.00
84" 1800 Series Back Drag Option (Rubber Edge)	147 lbs	ea	SP150084BDKR	\$1,230.00
Optional Steel Bolt On Edge		ft	124BDCE	\$43.00
Install Back Drag				\$89.00



- Spring trip on mouldboard
- 20" high mouldboard
- Lateral float
- 35° manual angle either direction (hydraulic optional)
- Reversible cutting edge
- Adjustable skid shoes
- HLA2DM mounting option



SB100060

1000 Series Snow Blade	Weight	Part #	Price Code			
			A	B	C	D
Max Operating Weight 3,000 lbs	in lbs					
48" Snow Blade (Steel Edge)	365	SB100048	\$2,998.00	\$3,111.00	\$3,224.00	\$3,366.00
48" Snow Blade (Rubber Edge)	365	SB1000R48	\$2,998.00	\$3,111.00	\$3,224.00	\$3,366.00
54" Snow Blade (Steel Edge)	375	SB100054	\$3,068.00	\$3,181.00	\$3,294.00	\$3,436.00
54" Snow Blade (Rubber Edge)	375	SB1000R54	\$3,068.00	\$3,181.00	\$3,294.00	\$3,436.00
60" Snow Blade (Steel Edge)	385	SB100060	\$3,151.00	\$3,264.00	\$3,377.00	\$3,519.00
60" Snow Blade (Rubber Edge)	385	SB1000R60	\$3,151.00	\$3,264.00	\$3,377.00	\$3,519.00
66" Snow Blade (Steel Edge)	400	SB100066	\$3,228.00	\$3,341.00	\$3,454.00	\$3,596.00
66" Snow Blade (Rubber Edge)	400	SB1000R66	\$3,228.00	\$3,341.00	\$3,454.00	\$3,596.00
72" Snow Blade (Steel Edge)	410	SB100072	\$3,310.00	\$3,423.00	\$3,536.00	\$3,678.00
72" Snow Blade (Rubber Edge)	410	SB1000R72	\$3,310.00	\$3,423.00	\$3,536.00	\$3,678.00
78" Snow Blade (Steel Edge)	420	SB100078	\$3,393.00	\$3,506.00	\$3,619.00	\$3,761.00
78" Snow Blade (Rubber Edge)	420	SB1000R78	\$3,393.00	\$3,506.00	\$3,619.00	\$3,761.00
84" Snow Blade (Steel Edge)	440	SB100084	\$3,564.00	\$3,677.00	\$3,790.00	\$3,932.00
84" Snow Blade (Rubber Edge)	440	SB1000R84	\$3,564.00	\$3,677.00	\$3,790.00	\$3,932.00
Optional Hydraulic Angle Kit (factory installed on new order)		SB1000CYLKO	\$366.00			

1000 Series Snow Blade Options	UOM	Part #	Price
90" Hose Kit c/w Flat Faced Couplers	ea	HK90	\$313.00
Snow Blade Marker (See Info on Page 38)	ea	SBM27	\$61.00
SB2000DM Snow Blade Mount (HLA2DM models) (See Info on Page 42)			

1000 Series Snow Blade Angled Widths					
Model	Overall Road Width	Snow Clearing Width	Model	Overall Road Width	Snow Clearing Width
SB100048	44½"	40"	SB100072	65½"	60"
SB100054	54"	45"	SB100078	69½"	65"
SB100060	56"	50"	SB100084	74½"	70"
SB100066	59½"	55"			

2500 Series



SP2500R72

- Replaceable, reversible cutting edge
- Bucket edge mount or QTach available
- Double sidewall, slim brace design for reduced material build-up
- 30" high mouldboard
- 30" deep fixed end plates
- Adjustable / replaceable skid bars
- Bolt-on attachment frame has 4 angle settings (80°, 90°, 100°, 110°)



2500 Series Snow Pusher	Weight	Part #	Price Code			
Max Operating Weight 6,000 lbs	in lbs		A	B	C	D
2500 Snow Pusher Bolt on Kit	170	BOKSP23	\$543.00	\$656.00	\$769.00	\$911.00

	Weight	Part #	Price
72" Snow Pusher (Steel Edge) (LESS FRAME)	485	SP2500S72LF	\$1,936.00
72" Snow Pusher (Rubber Edge) (LESS FRAME)	485	SP2500R72LF	\$1,936.00
84" Snow Pusher (Steel Edge) (LESS FRAME)	515	SP2500S84LF	\$2,319.00
84" Snow Pusher (Rubber Edge) (LESS FRAME)	515	SP2500R84LF	\$2,319.00
96" Snow Pusher (Steel Edge) (LESS FRAME)	555	SP2500S96LF	\$2,602.00
96" Snow Pusher (Rubber Edge) (LESS FRAME)	555	SP2500R96LF	\$2,602.00
Install Bolt on Kit on Pusher			\$89.00
Bucket Edge Mount Add "B" to Part # & Use Price Code C			
For complete price add BOKSP23 price to SP2500 of choice			

2500 Series Snow Pusher Options	UOM	Part #	Price
Snow Blade Marker (See Info on Page 38)	ea	SBM27	\$61.00
Poly Bolt-on Endplate Runner (priced in lieu of steel end runner)	set	SP25WPWU	\$366.00
Three Point Hitch Rear Pull Mount (See Info on Page 14)			



SP250072BDK

- Ideal for back dragging away from doors and loading docks etc.
- Edges are drilled for either rubber or steel optional bolt on cutting edge
- Easy bolt on option

2500 Series Bolt-On Back Drag Option	Weight	UOM	Part #	Price
72" 2500 Series Back Drag Option (Welded Steel Edge)	140 lbs	ea	SP250072BDK	\$561.00
72" 2500 Series Back Drag Option (Rubber Edge)	190 lbs	ea	SP250072BDKR	\$1,059.00
84" 2500 Series Back Drag Option (Welded Steel Edge)	160 lbs	ea	SP250084BDK	\$626.00
84" 2500 Series Back Drag Option (Rubber Edge)	210 lbs	ea	SP250084BDKR	\$1,207.00
96" 2500 Series Back Drag Option (Welded Steel Edge)	180 lbs	ea	SP250096BDK	\$714.00
96" 2500 Series Back Drag Option (Rubber Edge)	235 lbs	ea	SP250096BDKR	\$1,378.00
Optional Steel Bolt On Edge		ft		\$70.00
Install Back Drag				\$89.00



SP2500T72

- Smooth contact edge is ideal for clearing snow from turf sports fields
- Smooth round pipe replaces the cutting edge and runner
- Bucket edge mount or QTach available

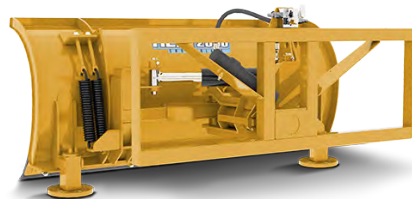
2500 Series TURF Snow Pusher	Weight	Part #	Price Code			
Max Operating Weight 6,000 lbs	in lbs		A	B	C	D
2500 TURF Snow Pusher Bolt on Kit	170	BOKSP23	\$543.00	\$656.00	\$769.00	\$911.00

	Weight	Part #	Price
72" TURF Snow Pusher (LESS FRAME)	485	SP2500T72LF	\$2,520.00
84" TURF Snow Pusher (LESS FRAME)	515	SP2500T84LF	\$2,933.00
96" TURF Snow Pusher (LESS FRAME)	555	SP2500T96LF	\$3,251.00
Install Bolt on Kit on Pusher			\$89.00

Bucket Edge Mount Add "B" to Part # & Use Price Code C

For complete price add BOKSP23 price to SP2500T of choice

2000 Series



SB200072

- Spring trip on mouldboard
- 24" high mouldboard
- Lateral float
- One angle cylinder
- Hydraulic 35° angle either direction
- Reversible cutting edge
- Adjustable skid shoes
- Cross-over relief valve protection
- HLA2DM mounting option



2000 Series Snow Blade	Weight	Part #	Price Code			
Max Operating Weight 5,000 lbs	in lbs		A	B	C	D
60" Snow Blade (Steel Edge)	550	SB200060	\$4,331.00	\$4,444.00	\$4,557.00	\$4,699.00
60" Snow Blade (Rubber Edge)	550	SB2000R60	\$4,331.00	\$4,444.00	\$4,557.00	\$4,699.00
72" Snow Blade (Steel Edge)	575	SB200072	\$4,597.00	\$4,710.00	\$4,823.00	\$4,965.00
72" Snow Blade (Rubber Edge)	575	SB2000R72	\$4,597.00	\$4,710.00	\$4,823.00	\$4,965.00
78" Snow Blade (Steel Edge)	595	SB200078	\$4,691.00	\$4,804.00	\$4,917.00	\$5,059.00
78" Snow Blade (Rubber Edge)	595	SB2000R78	\$4,691.00	\$4,804.00	\$4,917.00	\$5,059.00
84" Snow Blade (Steel Edge)	610	SB200084	\$4,838.00	\$4,951.00	\$5,064.00	\$5,206.00
84" Snow Blade (Rubber Edge)	610	SB2000R84	\$4,838.00	\$4,951.00	\$5,064.00	\$5,206.00
90" Snow Blade (Steel Edge)	620	SB200090	\$4,992.00	\$5,105.00	\$5,218.00	\$5,360.00
90" Snow Blade (Rubber Edge)	620	SB2000R90	\$4,992.00	\$5,105.00	\$5,218.00	\$5,360.00
96" Snow Blade (Steel Edge)	635	SB200096	\$5,145.00	\$5,258.00	\$5,371.00	\$5,513.00
96" Snow Blade (Rubber Edge)	635	SB2000R96	\$5,145.00	\$5,258.00	\$5,371.00	\$5,513.00

2000 Series Snow Blade Angled Widths

Model	Overall Road Width	Snow Clearing Width	Model	Overall Road Width	Snow Clearing Width
SB200060	55"	49"	SB200084	75"	69"
SB200072	65"	59"	SB200090	80"	74"
SB200078	70"	64"	SB200096	85"	79"

2000 Series Snow Blade Options	UOM	Part #	Price
1/2" x 6" Boron Cutting Edge (priced in lieu of steel edge)	ft	126CEBO	\$22.00
90° Hose Kit c/w Flat Faced Couplers	ea	HK90	\$313.00
Snow Blade Marker (See Info on Page 38)	ea	SBM27	\$61.00
Curb Runner (Left Side)	ea	LP101905	\$254.00
Curb Runner (Right Side)	ea	LP101904	\$254.00
SB2000DM Snow Blade Mount (HLA2DM models) (See Info on Page 42)			

3400 Series



SP3400EF208

- Reversible cutting edge (non Edge Flex only)
- Spring trip cutting edge
- Double sidewall, slim brace design for reduced material build-up
- Bucket edge mount or QTach available
- 30" high mouldboard
- 36" deep fixed end plates
- High tensile AR400 adjustable steel

skidbars (floating skidbars on Edge Flex models)

- **2 Year Commercial Warranty**
- Bolt-on attachment frame has 4 angle settings (80°, 90°, 100°, 110°)



3400 Series Snow Pusher	Weight	Part #	Price Code			
Max Operating Weight 15,000 lbs	in lbs		A	B	C	D
3400 Snow Pusher Bolt on Kit	170	BOKSP23	\$543.00	\$656.00	\$769.00	\$911.00

	Weight	Part #	Price
7' Snow Pusher (Steel Edge) (LESS FRAME)	865	SP340007LF	\$3,358.00
7' Snow Pusher (Rubber Edge) (LESS FRAME)	865	SP3400R07LF	\$3,358.00
7' Snow Pusher (Edge Flex) (LESS FRAME)	1025	SP3400EF207LF	\$5,110.00
8' Snow Pusher (Steel Edge) (LESS FRAME)	925	SP340008LF	\$3,747.00
8' Snow Pusher (Rubber Edge) (LESS FRAME)	925	SP3400R08LF	\$3,747.00
8' Snow Pusher (Edge Flex) (LESS FRAME)	1105	SP3400EF208LF	\$5,747.00
9' Snow Pusher (Steel Edge) (LESS FRAME)	985	SP340009LF	\$4,148.00
9' Snow Pusher (Rubber Edge) (LESS FRAME)	985	SP3400R09LF	\$4,148.00
9' Snow Pusher (Edge Flex) (LESS FRAME)	1185	SP3400EF209LF	\$6,390.00
10' Snow Pusher (Steel Edge) (LESS FRAME)	1045	SP340010LF	\$4,538.00
10' Snow Pusher (Rubber Edge) (LESS FRAME)	1045	SP3400R10LF	\$4,538.00
10' Snow Pusher (Edge Flex) (LESS FRAME)	1265	SP3400EF210LF	\$7,033.00
12' Snow Pusher (Steel Edge) (LESS FRAME)	1190	SP340012LF	\$5,511.00
12' Snow Pusher (Rubber Edge) (LESS FRAME)	1190	SP3400R12LF	\$5,511.00
12' Snow Pusher (Edge Flex) (LESS FRAME)	1345	SP3400EF212LF	\$8,508.00
Install Bolt on Kit on Pusher			\$89.00

Bucket Edge Mount Add "B" To Part # & Use Price Code C

For complete price add BOKSP23 price to SP3400 of choice



SP34007BDK

- Ideal for back dragging away from doors and loading docks etc.
- Edges are drilled for either rubber or steel optional bolt on cutting edge
- Easy bolt on option

3400 Series Bolt-On Back Drag Option	Weight	UOM	Part #	Price
7' 3400 Series Back Drag Option (Welded Steel Edge)	255 lbs	ea	SP34007BDK	\$667.00
7' 3400 Series Back Drag Option (Rubber Edge)	310 lbs	ea	SP34007BDKR	\$1,262.00
8' 3400 Series Back Drag Option (Welded Steel Edge)	285 lbs	ea	SP34008BDK	\$750.00
8' 3400 Series Back Drag Option (Rubber Edge)	348 lbs	ea	SP34008BDKR	\$1,430.00
9' 3400 Series Back Drag Option (Welded Steel Edge)	315 lbs	ea	SP34009BDK	\$844.00
9' 3400 Series Back Drag Option (Rubber Edge)	381 lbs	ea	SP34009BDKR	\$1,609.00
10' 3400 Series Back Drag Option (Welded Steel Edge)	345 lbs	ea	SP340010BDK	\$933.00
10' 3400 Series Back Drag Option (Rubber Edge)	414 lbs	ea	SP340010BDKR	\$1,783.00
12' 3400 Series Back Drag Option (Welded Steel Edge)	405 lbs	ea	SP340012BDK	\$1,086.00
12' 3400 Series Back Drag Option (Rubber Edge)	480 lbs	ea	SP340012BDKR	\$2,106.00
Optional Steel Bolt On Edge		ft		\$70.00
Install Back Drag				\$89.00



SP350008

- Reversible cutting edge (non Edge Flex only)
- Spring trip cutting edge
- Double sidewall, slim brace design for reduced material build-up
- Bucket edge mount or QTach available
- 38" high mouldboard
- 36" deep fixed end plates
- High tensile AR400 adjustable steel skidbars (floating skidbars on Edge Flex models)
- **2 Year Commercial Warranty**
- Bolt-on attachment frame has 4 angle settings (80°, 90°, 100°, 110°)



3500 Series Snow Pusher	Weight	Part #	Price Code			
Max Operating Weight 15,000 lbs	in lbs		A	B	C	D
3500 Snow Pusher Bolt on Kit	170	BOKSP23	\$543.00	\$656.00	\$769.00	\$911.00

	Weight	Part #	Price
7' Snow Pusher (Steel Edge) (LESS FRAME)	985	SP350007LF	\$3,535.00
7' Snow Pusher (Rubber Edge) (LESS FRAME)	985	SP3500R07LF	\$3,535.00
7' Snow Pusher (Edge Flex) (LESS FRAME)	1120	SP3500EF207LF	\$5,287.00
8' Snow Pusher (Steel Edge) (LESS FRAME)	1055	SP350008LF	\$3,924.00
8' Snow Pusher (Rubber Edge) (LESS FRAME)	1055	SP3500R08LF	\$3,924.00
8' Snow Pusher (Edge Flex) (LESS FRAME)	1210	SP3500EF208LF	\$5,924.00
9' Snow Pusher (Steel Edge) (LESS FRAME)	1130	SP350009LF	\$4,325.00
9' Snow Pusher (Rubber Edge) (LESS FRAME)	1130	SP3500R09LF	\$4,325.00
9' Snow Pusher (Edge Flex) (LESS FRAME)	1305	SP3500EF209LF	\$6,567.00
10' Snow Pusher (Steel Edge) (LESS FRAME)	1200	SP350010LF	\$4,715.00
10' Snow Pusher (Rubber Edge) (LESS FRAME)	1200	SP3500R10LF	\$4,715.00
10' Snow Pusher (Edge Flex) (LESS FRAME)	1390	SP3500EF210LF	\$7,210.00
12' Snow Pusher (Steel Edge) (LESS FRAME)	1370	SP350012LF	\$5,688.00
12' Snow Pusher (Rubber Edge) (LESS FRAME)	1370	SP3500R12LF	\$5,688.00
12' Snow Pusher (Edge Flex) (LESS FRAME)	1595	SP3500EF212LF	\$8,685.00
Install Bolt on Kit on Pusher			\$89.00
Bucket Edge Mount Add "B" To Part # & Use Price Code C			
For complete price add BOKSP23 price to SP3500 of choice			

3400/3500 Series Snow Pusher Options	UOM	Part #	Price
Snow Blade Marker (See Info on Page 38)	ea	SBM27	\$61.00
Poly Bolt-on Endplate Runner (priced in lieu of steel end runner)	set	SP35WPWU	\$425.00
Carbide Tipped Steel Cutting Edge Kit for non Edge Flex (priced in lieu of standard steel edge) (See Info on Page 38)	ft	586CCE	\$83.00
Oscillating Mount Option	ea	SP35OSC	\$1,812.00
Three Point Hitch Rear Pull Mount (SP3500 Series Only) (See Info on Page 14)			
SB3QDM Quick Attach Snow Blade Mount (See Info on Page 46)			

3500 Series



SP35007BDK

- Ideal for back dragging away from doors and loading docks etc.
- Edges are drilled for either rubber or steel optional bolt on cutting edge
- Easy bolt on option

3500 Series Bolt-On Back Drag Option	Weight	UOM	Part #	Price
7' 3500 Series Back Drag Option (Welded Steel Edge)	255 lbs	ea	SP35007BDK	\$667.00
7' 3500 Series Back Drag Option (Rubber Edge)	310 lbs	ea	SP35007BDKR	\$1,262.00
8' 3500 Series Back Drag Option (Welded Steel Edge)	285 lbs	ea	SP35008BDK	\$750.00
8' 3500 Series Back Drag Option (Rubber Edge)	348 lbs	ea	SP35008BDKR	\$1,430.00
9' 3500 Series Back Drag Option (Welded Steel Edge)	315 lbs	ea	SP35009BDK	\$844.00
9' 3500 Series Back Drag Option (Rubber Edge)	381 lbs	ea	SP35009BDKR	\$1,609.00
10' 3500 Series Back Drag Option (Welded Steel Edge)	345 lbs	ea	SP350010BDK	\$933.00
10' 3500 Series Back Drag Option (Rubber Edge)	414 lbs	ea	SP350010BDKR	\$1,783.00
12' 3500 Series Back Drag Option (Welded Steel Edge)	405 lbs	ea	SP350012BDK	\$1,086.00
12' 3500 Series Back Drag Option (Rubber Edge)	480 lbs	ea	SP350012BDKR	\$2,106.00
Optional Steel Bolt On Edge		ft		\$70.00
Install Back Drag				\$89.00



SP3500X610

- Built in back drag with top rubber edge
- Bolt-on attachment frame has 4 angle settings (80°, 90°, 100°, 110°)
- Inner mouldboards hydraulically expand up to 48" wider from closed position
- Trip cutting edge with compression springs - can be adjusted for tension
- Fixed side and back drag skid shoes to assist in keeping pusher level so that all cutting edges wear evenly
- Carbide tipped or rubber cutting edge options for top and bottom
- Hydraulics - flow divider valve
- 24" high mouldboard
- 16" deep fixed end plates
- **2 Year Commercial Warranty**



3500X Series Expandable Snow Pusher	Weight	Part #	Price Code				Front 3 PH
Max Operating Weight 10,000 lbs	in lbs		A	B	C	D	
3500X Snow Pusher Bolt on Kit	170	BOKSP23	\$543.00	\$656.00	\$769.00	\$911.00	\$1,206.00

	Closed	Open	Weight	Part #	Price
6' Snow Pusher (LESS FRAME)	6'	10'	1355	SP3500X610LF	\$9,470.00
7' Snow Pusher (LESS FRAME)	7'	11'	1435	SP3500X711LF	\$10,137.00
8' Snow Pusher (LESS FRAME)	8'	12'	1520	SP3500X812LF	\$10,803.00
Install Bolt on Kit on Pusher					\$89.00

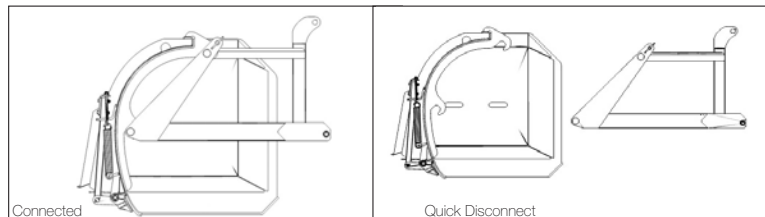
For complete price add BOKSP23 price to SP3500X of choice

2500 & 3500 Series Three Point Hitch Mount



SP3500RT3PHC2 on a SP350008

- Quick disconnect and the pusher can be latched onto a front end loader



- Utilize your pusher as a pull unit
- Available on all 2500 & 3500 pushers

- Ideal for cleaning away from doors & loading docks
- SP3500 fits CAT 2
- SP2500 fits both CAT 1 & 2
- Approximate weight: 375 lbs

Rear Three Point Hitch Mount	UOM	Part #	Price
Optional For 2500 Series Pusher	ea	SP2500PT3PHC12	\$1,588.00
Optional For 3500 Series Pusher	ea	SP3500PT3PHC2	\$1,694.00



SP3530W813

- Single electric selector valve with electro-hydraulic harness kit. 12V or 24V coils available.
- Spring trip on cutting edge
- 30" high mouldboard
- Lateral float
- Reversible cutting edge (non Edge Flex only)
- Adjustable skid shoes (non Edge Flex only)
- Cross over relief valve protection

- Maximum clearing width 5' wider than main mouldboard width
- Wings 30" deep / wide
- **2 Year Commercial Warranty**

Patent features

- 21,000 in-lb torque at 3000 PSI hydraulic rotary actuators on wing pivots—infinite wing adjustment from 0° - 180°



3530W Series Snow Pusher with Wings	Weight in lbs	Part #	Price Code				Front 3 PH
			A	B	C	D	
Max Operating Weight 13,000 lbs							
3530W Snow Pusher Bolt on Kit	205	SB1039	\$1,151.00	\$1,264.00	\$1,377.00	\$1,519.00	\$1,814.00

Wire Kit for SP3530W - Must choose 1	Part #	Price
Complete Single Diverter Wire Kit w/ 2 Way Switch	WKDV1	\$549.00
OEM Connection Wire Kit (See Info on Page 40)		

	Weight	Part #	Price
6-11' Snow Pusher (LESS FRAME)	1185	SP3530W611LF	\$10,851.00
6-11' Snow Pusher (Edge Flex) (LESS FRAME)	1240	SP3530WEF2611LF	\$12,420.00
7-12' Snow Pusher (LESS FRAME)	1260	SP3530W712LF	\$11,364.00
7-12' Snow Pusher (Edge Flex) (LESS FRAME)	1335	SP3530WEF2712LF	\$13,205.00
8-13' Snow Pusher (LESS FRAME)	1340	SP3530W813LF	\$11,877.00
8-13' Snow Pusher (Edge Flex) (LESS FRAME)	1425	SP3530WEF2813LF	\$13,978.00
9-14' Snow Pusher (LESS FRAME)	1410	SP3530W914LF	\$12,385.00
9-14' Snow Pusher (Edge Flex) (LESS FRAME)	1515	SP3530WEF2914LF	\$14,750.00
10-15' Snow Pusher (LESS FRAME)	1485	SP3530W1015LF	\$13,016.00
10-15' Snow Pusher (Edge Flex) (LESS FRAME)	1605	SP3530WEF21015LF	\$15,641.00
Install Bolt on Kit on Pusher			\$89.00

For complete price add SB1039 price & Wire Kit price to SP3530W of choice

3530W/3500X Series Options	UOM	Part #	Price
1-1/2" x 6" Dura-Blade Rubber Cutting Edge (priced in lieu of non Edge Flex steel edge) (3500X only)	ft	156RUCE	\$0.00
90" Hose Kit c/w Flat Faced Couplers	ea	HK90	\$313.00
Optional Spring Hose Mount Kit	ea	SHMK	\$142.00
Snow Blade Marker (See Info on Page 38)	ea	SBM27	\$61.00
Carbide Tipped Steel Cutting Edge Kit for non Edge Flex (priced in lieu of standard steel edge) (See Info on Page 38)	ft	586CCE	\$83.00
Curb Runners (requires 2 per blade) (SP3530W only) (See Info on Page 38)	ea	LP102317	\$384.00
SB3QDM Quick Attach Snow Blade Mount (See Info on Page 46)			

3000 Series



- Spring trip on cutting edge
- 30" high mouldboard
- Lateral float
- Two angle cylinders
- Hydraulic 35° angle either direction
- Reversible cutting edge (non Edge Flex only)
- Adjustable skid shoes (non Edge Flex only)
- Cross-over relief valve protection
- **2 Year Commercial Warranty**



SB300007

3000 Series Snow Blade	Weight	Part #	Price Code				Front 3 PH
			A	B	C	D	
Max Operating Weight 13,000 lbs	in lbs						
3000 Snow Blade Frame	205	SB1039	\$1,151.00	\$1,264.00	\$1,377.00	\$1,519.00	\$1,814.00
3000 Snow Blade Frame w/ Floating Blade Hinge	310	SB1039F	\$2,378.00	\$2,491.00	\$2,604.00	\$2,746.00	

	Weight	Part #	Price
6' Snow Blade (Steel Edge) (LESS FRAME)	795	SB300006LF	\$4,732.00
6' Snow Blade (Rubber Edge) (LESS FRAME)	795	SB3000R06LF	\$4,732.00
6' Snow Blade (Edge Flex) (LESS FRAME)	835	SB3000EF206LF	\$6,308.00
7' Snow Blade (Steel Edge) (LESS FRAME)	855	SB300007LF	\$5,080.00
7' Snow Blade (Rubber Edge) (LESS FRAME)	855	SB3000R07LF	\$5,080.00
7' Snow Blade (Edge Flex) (LESS FRAME)	925	SB3000EF207LF	\$6,915.00
8' Snow Blade (Steel Edge) (LESS FRAME)	925	SB300008LF	\$5,411.00
8' Snow Blade (Rubber Edge) (LESS FRAME)	925	SB3000R08LF	\$5,411.00
8' Snow Blade (Edge Flex) (LESS FRAME)	1005	SB3000EF208LF	\$7,517.00
9' Snow Blade (Steel Edge) (LESS FRAME)	990	SB300009LF	\$5,930.00
9' Snow Blade (Rubber Edge) (LESS FRAME)	990	SB3000R09LF	\$5,930.00
9' Snow Blade (Edge Flex) (LESS FRAME)	1090	SB3000EF209LF	\$8,302.00
10' Snow Blade (Steel Edge) (LESS FRAME)	1050	SB300010LF	\$6,803.00
10' Snow Blade (Rubber Edge) (LESS FRAME)	1050	SB3000R10LF	\$6,803.00
10' Snow Blade (Edge Flex) (LESS FRAME)	1175	SB3000EF210LF	\$9,429.00
Install Frame on Blade			\$89.00

For complete price add SB1039 price to SB3000 of choice

3000 Series Snow Blade Angled Widths

Model	Overall Road Width	Snow Clearing Width	Model	Overall Road Width	Snow Clearing Width
SB300006	68½"	59"	SB300009	98½"	88½"
SB300007	78½"	69"	SB300010	108½"	98½"
SB300008	88½"	78½"			

3000 Series Snow Blade Options

	UOM	Part #	Price
90° Hose Kit c/w Flat Faced Couplers	ea	HK90	\$313.00
Snow Blade Marker (See Info on Page 38)	ea	SBM27	\$61.00
Carbide Tipped Steel Cutting Edge Kit for non Edge Flex (priced in lieu of standard steel edge) (See Info on Page 38)	ft	586CCE	\$83.00
Curb Runner (Left Side) (non Edge Flex only)	ea	LP101905	\$254.00
Curb Runner (Right Side) (non Edge Flex only)	ea	LP101904	\$254.00
Curb Runner (Left Side) (Edge Flex only)	ea	LP102763	\$307.00
Curb Runner (Right Side) (Edge Flex only)	ea	LP102762	\$307.00

SB3QDM Quick Attach Snow Blade Mount (See Info on Page 46)



SB3230W813

Patent features

- Hydraulic rotary actuators on wing pivots— infinite wing adjustment from 0° to 180°
- Front tire protector

- Double electric selector valve with electro-hydraulic harness kit. 12V or 24V coils available
- Spring trip on cutting edge
- 30" high mouldboard
- Lateral float
- Two angle cylinders
- Hydraulic 35° angle either direction
- **2 Year Commercial Warranty**
- Reversible cutting edge (non Edge Flex only)
- Adjustable skid shoes (non Edge Flex only)
- Cross over relief valve protection
- Maximum clearing width 5' wider than main mouldboard width
- Wings 30" deep / wide



3230 Series Snow Wing	Weight	Part #	Price Code				Front 3 PH
			A	B	C	D	
Max Operating Weight 13,000 lbs	in lbs						
3230W Snow Wing Frame	205	SB1039	\$1,151.00	\$1,264.00	\$1,377.00	\$1,519.00	\$1,814.00
3230W Snow Wing Frame w/ Floating Blade Hinge	310	SB1039F	\$2,378.00	\$2,491.00	\$2,604.00	\$2,746.00	

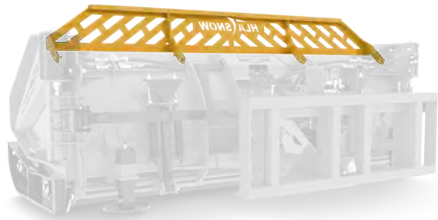
Wire Kit for Snow Wing - Must choose 1	Part #	Price
Complete Double Diverter Wire Kit w/ 3 Way Switch	WKDV2	\$608.00
Complete Double Diverter Wire Kit w/ Foot Switch	WKDVFS2	\$1,169.00
OEM Connection Wire Kit (See Info on Page 40)		

	Weight	Part #	Price
6-11' Snow Wing (LESS FRAME)	1370	SB3230W611LF	\$12,680.00
6-11' Snow Wing (Edge Flex) (LESS FRAME)	1430	SB3230WEF2611LF	\$14,255.00
7-12' Snow Wing (LESS FRAME)	1450	SB3230W712LF	\$13,240.00
7-12' Snow Wing (Edge Flex) (LESS FRAME)	1525	SB3230WEF2712LF	\$15,075.00
8-13' Snow Wing (LESS FRAME)	1530	SB3230W813LF	\$13,765.00
8-13' Snow Wing (Edge Flex) (LESS FRAME)	1615	SB3230WEF2813LF	\$15,871.00
9-14' Snow Wing (LESS FRAME)	1600	SB3230W914LF	\$14,320.00
9-14' Snow Wing (Edge Flex) (LESS FRAME)	1700	SB3230WEF2914LF	\$16,686.00
10-15' Snow Wing (LESS FRAME)	1670	SB3230W1015LF	\$14,975.00
10-15' Snow Wing (Edge Flex) (LESS FRAME)	1795	SB3230WEF21015LF	\$17,612.00
Install Frame on Blade			\$89.00

For complete price add SB1039 price & Wire Kit price to SB3230W of choice

3230 Series Snow Wing Clearing Width				
Model	Clearing Width Closed	Clearing Width Open	Overall Road Width (Angled)	Snow Clearing Width (Angled)
SB3230W611	6'	11'	70"	107"
SB3230W712	7'	12'	80"	117"
SB3230W813	8'	13'	90"	127"
SB3230W914	9'	14'	100"	137"
SB3230W1015	10'	15'	110"	147"

3230 Series



SB32W6SG

3230 Series 10" Bolt-On Spill Guard	UOM	Part #	Price
6' Spill Guard for SB3230W611 Snow Wing	ea	SB32W6SG	\$714.00
7' Spill Guard for SB3230W712 Snow Wing	ea	SB32W7SG	\$762.00
8' Spill Guard for SB3230W813 Snow Wing	ea	SB32W8SG	\$797.00
9' Spill Guard for SB3230W914 Snow Wing	ea	SB32W9SG	\$844.00
10' Spill Guard for SB3230W1015 Snow Wing	ea	SB32W10SG	\$891.00
Install Spill Guard on Blade			\$89.00

3230W Series Snow Wing Options	UOM	Part #	Price
90" Hose Kit c/w Flat Faced Couplers	ea	HK90	\$313.00
Optional Spring Hose Mount Kit	ea	SHMK	\$142.00
Snow Blade Marker (See Info on Page 38)	ea	SBM27	\$61.00
Carbide Tipped Steel Cutting Edge Kit for non Edge Flex (priced in lieu of standard steel edge) (See Info on Page 38)	ft	586CCE	\$83.00
Curb Runners (requires 2 per blade) (See Info on Page 38)	ea	LP102317	\$384.00
SB3QDM Quick Attach Snow Blade Mount (See Info on Page 46)			
SB2QDM Quick Attach Snow Blade Mount (611 and 712 sizes only) (See Info on Page 44)			

4500 Series



SP450010

- 34" high mouldboard
- 36" deep fixed end plates
- Double sidewall, slim brace design for reduced material build-up
- Replaceable, reversible steel cutting edge (not reversible on Edge Flex models)
- Spring trip cutting edge
- Bucket edge mount or QTach available
- High tensile AR400 adjustable steel skidbars (floating skidbars on Edge Flex models)
- Available in rubber edge models
- **2 Year Commercial Warranty**



4500 Series Snow Pusher	Weight	Part #	Price Code			
Max Operating Weight 25,000 lbs	in lbs		A	B	C	D
10' Snow Pusher	1735	SP450010	\$7,930.00	\$8,043.00	\$8,156.00	\$8,298.00
10' Snow Pusher (Edge Flex)	1810	SP4500EF210	\$10,561.00	\$10,674.00	\$10,787.00	\$10,929.00
10' Snow Pusher (Carbide Edge Flex)	1810	SP4500EF2C10	\$14,143.00	\$14,256.00	\$14,369.00	\$14,511.00
12' Snow Pusher	1925	SP450012	\$8,502.00	\$8,615.00	\$8,728.00	\$8,870.00
12' Snow Pusher (Edge Flex)	2025	SP4500EF212	\$11,659.00	\$11,772.00	\$11,885.00	\$12,027.00
12' Snow Pusher (Carbide Edge Flex)	2025	SP4500EF2C12	\$15,960.00	\$16,073.00	\$16,186.00	\$16,328.00
14' Snow Pusher	2165	SP450014	\$9,081.00	\$9,194.00	\$9,307.00	\$9,449.00
14' Snow Pusher (Edge Flex)	2290	SP4500EF214	\$12,768.00	\$12,881.00	\$12,994.00	\$13,136.00
14' Snow Pusher (Carbide Edge Flex)	2290	SP4500EF2C14	\$17,783.00	\$17,896.00	\$18,009.00	\$18,151.00

Bucket Edge Mount Add "B" To Part # & Use Price Code C



SP450010LF

- 34" high mouldboard
- 36" deep fixed end plates
- Double sidewall, slim brace design for reduced material build-up
- Replaceable, reversible steel cutting edge (not reversible on Edge Flex models)
- Spring trip cutting edge
- Bucket edge mount or QTach available
- High tensile AR400 adjustable steel skidbars (floating skidbars on Edge Flex models)
- Available in rubber edge models
- Lateral Float
- **2 Year Commercial Warranty**



4500 Series Snow Pusher c/w Lateral Float	Weight	Part #	Price Code			
Max Operating Weight 25,000 lbs	in lbs		A	B	C	D
4500 Snow Pusher Frame	270	SB1251	\$1,416.00	\$1,529.00	\$1,642.00	\$1,784.00

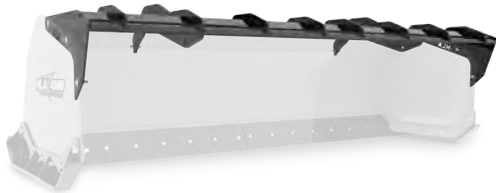
Bucket Edge Mount Add "B" To Part # & Use Price Code C

	Weight	Part #	Price
10' Snow Pusher (LESS FRAME)	1820	SP450010LF	\$8,644.00
10' Snow Pusher (Edge Flex) (LESS FRAME)	1895	SP4500EF210LF	\$11,275.00
10' Snow Pusher (Carbide Edge Flex) (LESS FRAME)	1895	SP4500EF2C10LF	\$14,857.00
12' Snow Pusher (LESS FRAME)	2010	SP450012LF	\$9,216.00
12' Snow Pusher (Edge Flex) (LESS FRAME)	2110	SP4500EF212LF	\$12,373.00
12' Snow Pusher (Carbide Edge Flex) (LESS FRAME)	2110	SP4500EF2C12LF	\$16,674.00
14' Snow Pusher (LESS FRAME)	2250	SP450014LF	\$9,794.00
14' Snow Pusher (Edge Flex) (LESS FRAME)	2375	SP4500EF214LF	\$13,482.00
14' Snow Pusher (Carbide Edge Flex) (LESS FRAME)	2375	SP4500EF2C14LF	\$18,497.00

For complete price add SB1251 price to SP4500 of choice

4500 Series Snow Pusher Options	UOM	Part #	Price
1-1/2" x 8" Rubber Cutting Edge (priced in lieu of non Edge Flex steel edge)	ft	158RUCE	\$0.00
Snow Blade Marker (See Info on Page 38)	ea	SBM27	\$61.00
AR400 Skid Shoe (See Info on Page 38) (not available on Edge Flex models)	ea	SB1075	\$231.00
Cast Highway Skid Shoe (See Info on Page 38) (not available on Edge Flex models)	ea	LWHSKP	\$231.00
Carbide Tipped Steel Cutting Edge Kit for non Edge Flex (priced in lieu of standard steel edge) (See Info on Page 38)	ft	346CCE	\$261.00

SB4QDM Quick Attach Snow Blade Mount (See Info on Page 48)



SP450010BDK

- Ideal for back dragging away from doors and loading docks etc.
- Edges are drilled for either rubber or steel optional bolt on cutting edge

4500 Series Bolt-On Back Drag Option	Weight	UOM	Part #	Price
10' 4500 Series Back Drag Option (Welded Steel Edge)	510 lbs	ea	SP450010BDK	\$2,349.00
12' 4500 Series Back Drag Option (Welded Steel Edge)	580 lbs	ea	SP450012BDK	\$2,679.00
14' 4500 Series Back Drag Option (Welded Steel Edge)	660 lbs	ea	SP450014BDK	\$3,015.00
Optional Steel Bolt On Edge		ft		\$106.00
Optional Rubber Bolt On Edge		ft		\$103.00
Install Back Drag				\$89.00

4000 Series



SB400010

- Spring trip on cutting edge
- 34" high mouldboard
- Lateral float
- Two angle cylinders
- 35° angle either direction
- Reversible cutting edge (non Edge Flex only)
- Cast highway skid shoes (non Edge Flex only)
- Cross-over relief valve protection
- Heavy duty construction
- **2 Year Commercial Warranty**



4000 Series Snow Blade	Weight in lbs	Part #	Price Code				Front 3PH
			A	B	C	D	
Max Operating Weight 25,000 lbs							
4000 Snow Blade Frame	270	SB1064	\$1,416.00	\$1,529.00	\$1,642.00	\$1,784.00	\$2,079.00
4000 Snow Blade Frame w/ Floating Blade Hinge	435	SB1064F	\$2,785.00	\$2,898.00	\$3,011.00	\$3,153.00	

	Weight	Part #	Price
9' Snow Blade (LESS FRAME)	1665	SB400009LF	\$8,107.00
9' Snow Blade (Edge Flex) (LESS FRAME)	1660	SB4000EF209LF	\$10,473.00
9' Snow Blade (Carbide Edge Flex) (LESS FRAME)	1660	SB4000EF2C09LF	\$13,694.00
10' Snow Blade (LESS FRAME)	1765	SB400010LF	\$8,561.00
10' Snow Blade (Edge Flex) (LESS FRAME)	1770	SB4000EF210LF	\$11,187.00
10' Snow Blade (Carbide Edge Flex) (LESS FRAME)	1770	SB4000EF2C10LF	\$14,774.00
12' Snow Blade (LESS FRAME)	1955	SB400012LF	\$9,328.00
12' Snow Blade (Edge Flex) (LESS FRAME)	1980	SB4000EF212LF	\$12,479.00
12' Snow Blade (Carbide Edge Flex) (LESS FRAME)	1980	SB4000EF2C12LF	\$16,780.00
14' Snow Blade (LESS FRAME)	2235	SB400014LF	\$11,629.00
14' Snow Blade (Edge Flex) (LESS FRAME)	2285	SB4000EF214LF	\$15,317.00
14' Snow Blade (Carbide Edge Flex) (LESS FRAME)	2285	SB4000EF2C14LF	\$20,332.00
Install Frame on Blade			\$89.00

For complete price add SB1064 price to SB4000 of choice

4000 Series Snow Blade Angled Widths					
Model	Overall Road Width	Snow Clearing Width	Model	Overall Road Width	Snow Clearing Width
SB400009	100"	88½"	SB400012	130"	118"
SB400010	110"	98½"	SB400014	150"	138"

4000 Series Snow Blade Options	UOM	Part #	Price
1-1/2" x 8" Rubber Cutting Edge (priced in lieu of non Edge Flex steel edge)	ft	158RUC	\$0.00
Carbide Tipped Steel Cutting Edge Kit for non Edge Flex (priced in lieu of standard steel edge) (See Info on Page 38)	ft	346CCE	\$261.00
AR400 Large Pad Skid Shoe (priced in lieu of standard skid shoe) (See Info on Page 38)	ea	SB1075U	\$77.00
90° Hose Kit c/w Flat Faced Couplers	ea	HK90	\$313.00
Snow Blade Marker (See Info on Page 38)	ea	SBM27	\$61.00
Curb Runners (requires 2 per blade) (non Edge Flex only)	ea	LP100174	\$349.00
Curb Runner (Left Side) (Edge Flex only)	ea	LP102765	\$349.00
Curb Runner (Right Side) (Edge Flex only)	ea	LP102764	\$349.00
SB4QDM Quick Attach Snow Blade Mount (See Info on Page 48)			



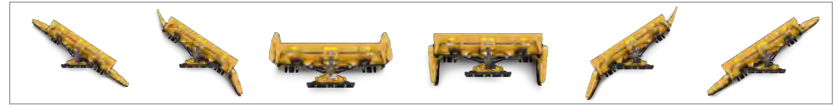
SB4203W1016

- Nitrate rods on angle cylinders
- Double electric selector valve with electro-hydraulic harness kit. 12V or 24V coils available.
- Spring trip on cutting edge
- 34" high mouldboard
- Lateral float
- Two angle cylinders
- Hydraulic 35° angle either direction
- Reversible cutting edge (non Edge Flex only)
- Cast highway skid shoes (non Edge Flex only)
- **2 Year Commercial Warranty**
- Cross-over relief valve protection
- Maximum clearing width 6' wider than main mouldboard width
- Wings 36" deep / wide
- Heavy duty construction



Patent features

- Hydraulic rotary actuators on wing pivots— infinite wing adjustment from 0° to 180°
- Front tire protector



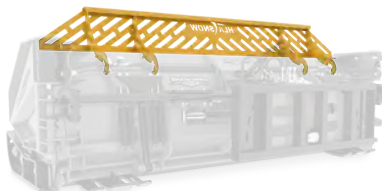
4203 Series Snow Wing	Weight	Part #	Price Code				Front 3 PH
	in lbs		A	B	C	D	
Max Operating Weight 25,000 lbs							
4203W Snow Wing Frame	270	SB1064	\$1,416.00	\$1,529.00	\$1,642.00	\$1,784.00	\$2,079.00
4203W Snow Wing Frame w/ Floating Blade Hinge	435	SB1064F	\$2,785.00	\$2,898.00	\$3,011.00	\$3,153.00	

Wire Kit for Snow Wing - Must choose 1	Part #	Price
Complete Double Diverter Wire Kit w/ 3 Way Switch	WKDV2	\$608.00
Complete Double Diverter Wire Kit w/ Foot Switch	WKDVFS2	\$1,169.00
OEM Connection Wire Kit (See Info on Page 40)		

	Weight	Part #	Price
8-14' Snow Wing (LESS FRAME)	2450	SB4203W814LF	\$18,857.00
8-14' Snow Wing (Edge Flex) (LESS FRAME)	2435	SB4203WEF2814LF	\$20,963.00
8-14' Snow Wing (Carbide Edge Flex Including Wing Edges) (LESS FRAME)	2435	SB4203WEF2C814LF	\$25,099.00
9-15' Snow Wing (LESS FRAME)	2610	SB4203W915LF	\$19,069.00
9-15' Snow Wing (Edge Flex) (LESS FRAME)	2605	SB4203WEF2915LF	\$21,435.00
9-15' Snow Wing (Carbide Edge Flex Including Wing Edges) (LESS FRAME)	2605	SB4203WEF2C915LF	\$25,925.00
10-16' Snow Wing (LESS FRAME)	2720	SB4203W1016LF	\$19,547.00
10-16' Snow Wing (Edge Flex) (LESS FRAME)	2725	SB4203WEF21016LF	\$22,173.00
10-16' Snow Wing (Carbide Edge Flex Including Wing Edges) (LESS FRAME)	2725	SB4203WEF2C1016LF	\$27,022.00
12-18' Snow Wing (LESS FRAME)	2920	SB4203W1218LF	\$20,344.00
12-18' Snow Wing (Edge Flex) (LESS FRAME)	2945	SB4203WEF21218LF	\$23,494.00
12-18' Snow Wing (Carbide Edge Flex Including Wing Edges) (LESS FRAME)	2945	SB4203WEF2C1218LF	\$29,058.00
14-20' Snow Wing (LESS FRAME)	3170	SB4203W1420LF	\$22,733.00
14-20' Snow Wing (Edge Flex) (LESS FRAME)	3220	SB4203WEF21420LF	\$26,409.00
14-20' Snow Wing (Carbide Edge Flex Including Wing Edges) (LESS FRAME)	3220	SB4203WEF2C1420LF	\$32,692.00
Install Frame on Blade			\$89.00

For complete price add SB1064 price & Wire Kit price to SB4203W of choice

4203 Series Snow Wing Clearing Width				
Model	Clearing Width Closed	Clearing Width Open	Overall Road Width (Angled)	Snow Clearing Width (Angled)
SB4203W814	8'	14'	92"	136"
SB4203W915	9'	15'	102"	146"
SB4203W1016	10'	16'	112"	156"
SB4203W1218	12'	18'	132"	176"
SB4203W1420	14'	20'	152"	196"



SB42W8SG

4203/4205 Series 12" Bolt-On Spill Guard	UOM	Part #	Price
8' Spill Guard for 8' Snow Wing	ea	SB42W8SG	\$844.00
9' Spill Guard for 9' Snow Wing	ea	SB42W9SG	\$897.00
10' Spill Guard for 10' Snow Wing	ea	SB42W10SG	\$944.00
12' Spill Guard for 12' Snow Wing	ea	SB42W12SG	\$1,003.00
14' Spill Guard for 14' Snow Wing	ea	SB42W14SG	\$1,057.00
Install Spill Guard on Blade			\$89.00

4205 Series



SB4205W1020

- Includes standard features of the 4203W
- Maximum clearing width 10' wider than main mouldboard width
- Wings 60" deep / wide
- Great for large sites where greater clearing width is required while being able to narrow down for smaller areas
- 34" high mouldboard
- Comes with removable top sections on wings to allow for clearance under 5th wheel pins on trailers
- Double electric selector valve with electro-

hydraulic harness kit. 12V or 24V coils available.

- **2 Year Commercial Warranty**

Patent features

- Hydraulic rotary actuators on wing pivots—infinite wing adjustment from 0° to 180°
- Front tire protector



4205 Series Snow Wing	Weight	Part #	Price Code				Front 3 PH
			A	B	C	D	
Max Operating Weight 25,000 lbs	in lbs						
4205W Snow Wing Frame	270	SB1064	\$1,416.00	\$1,529.00	\$1,642.00	\$1,784.00	\$2,079.00
4205W Snow Wing Frame w/ Floating Blade Hinge	435	SB1064F	\$2,785.00	\$2,898.00	\$3,011.00	\$3,153.00	

Wire Kit for Snow Wing - Must choose 1	Part #	Price
Complete Double Diverter Wire Kit w/ 3 Way Switch	WKDV2	\$608.00
Complete Double Diverter Wire Kit w/ Foot Switch	WKDVFS2	\$1,169.00
OEM Connection Wire Kit (See Info on Page 40)		

	Weight	Part #	Price
8-18' Snow Wing (LESS FRAME)	3020	SB4205W818LF	\$23,187.00
8-18' Snow Wing (Edge Flex) (LESS FRAME)	3005	SB4205WEF2818LF	\$25,288.00
8-18' Snow Wing (Carbide Edge Flex Including Wing Edges) (LESS FRAME)	3005	SB4205WEF2C818LF	\$30,262.00
9-19' Snow Wing (LESS FRAME)	3165	SB4205W919LF	\$23,388.00
9-19' Snow Wing (Edge Flex) (LESS FRAME)	3160	SB4205WEF2919LF	\$25,760.00
9-19' Snow Wing (Carbide Edge Flex Including Wing Edges) (LESS FRAME)	3160	SB4205WEF2C919LF	\$31,093.00
10-20' Snow Wing (LESS FRAME)	3280	SB4205W1020LF	\$23,860.00
10-20' Snow Wing (Edge Flex) (LESS FRAME)	3285	SB4205WEF21020LF	\$26,491.00
10-20' Snow Wing (Carbide Edge Flex Including Wing Edges) (LESS FRAME)	3285	SB4205WEF2C1020LF	\$32,179.00
12-22' Snow Wing (LESS FRAME)	3475	SB4205W1222LF	\$24,609.00
12-22' Snow Wing (Edge Flex) (LESS FRAME)	3500	SB4205WEF21222LF	\$27,766.00
12-22' Snow Wing (Carbide Edge Flex Including Wing Edges) (LESS FRAME)	3500	SB4205WEF2C1222LF	\$34,179.00
14-24' Snow Wing (LESS FRAME)	3765	SB4205W1424LF	\$26,893.00
14-24' Snow Wing (Edge Flex) (LESS FRAME)	3815	SB4205WEF21424LF	\$30,574.00
14-24' Snow Wing (Carbide Edge Flex Including Wing Edges) (LESS FRAME)	3815	SB4205WEF2C1424LF	\$37,707.00
Install Frame on Blade			\$89.00

For complete price add SB1064 price & Wire Kit price to SB4205W of choice

4205 Series Snow Wing Clearing Width				
Model	Clearing Width Closed	Clearing Width Open	Overall Road Width (Angled)	Snow Clearing Width (Angled)
SB4205W818	7' 9½"	17' 9½"	91"	160"
SB4205W919	9'	19'	102"	171"
SB4205W1020	10'	20'	112"	181"
SB4205W1222	12'	22'	132"	201"
SB4205W1424	14'	24'	152"	221"

4203W & 4205W Series Snow Wing Options	UOM	Part #	Price
Carbide Tipped Steel Cutting Edge Kit for non Edge Flex (priced in lieu of standard steel edge) (See Info on Page 38)	ft	346CCE	\$261.00
AR400 Large Pad Skid Shoe (priced in lieu of standard skid shoe) (See Info on Page 38)	ea	SB1075U	\$77.00
90° Hose Kit c/w Flat Faced Couplers	ea	HK90	\$313.00
Snow Blade Marker (See Info on Page 38)	ea	SBM27	\$61.00
Curb Runners (requires 2 per blade) (See Info on Page 38)	ea	LP102317	\$384.00
SB4QDM Quick Attach Snow Blade Mount (See Info on Page 48)			



SP550010

- 42" high mouldboard
- 44" deep fixed end plates
- Double sidewall, slim brace design for reduced material build-up
- Replaceable, reversible steel cutting edge (not reversible on Edge Flex models)
- Spring trip cutting edge
- Bucket edge mount or QTach available
- High tensile AR400 adjustable steel skidbars (floating skidbars on Edge Flex models)
- Available in rubber edge models
- **2 Year Commercial Warranty**



5500 Series Snow Pusher	Weight	Part #	Price Code			
Max Operating Weight 40,000 lbs	in lbs		A	B	C	D
10' Snow Pusher	2280	SP550010	\$11,146.00	\$11,259.00	\$11,372.00	\$11,514.00
10' Snow Pusher (Edge Flex)	2360	SP5500EF210	\$13,777.00	\$13,890.00	\$14,003.00	\$14,145.00
10' Snow Pusher (Carbide Edge Flex)	2360	SP5500EF2C10	\$17,358.00	\$17,471.00	\$17,584.00	\$17,726.00
12' Snow Pusher	2490	SP550012	\$11,146.00	\$11,259.00	\$11,372.00	\$11,514.00
12' Snow Pusher (Edge Flex)	2590	SP5500EF212	\$14,302.00	\$14,415.00	\$14,528.00	\$14,670.00
12' Snow Pusher (Carbide Edge Flex)	2590	SP5500EF2C12	\$18,603.00	\$18,716.00	\$18,829.00	\$18,971.00
14' Snow Pusher	2755	SP550014	\$12,066.00	\$12,179.00	\$12,292.00	\$12,434.00
14' Snow Pusher (Edge Flex)	2905	SP5500EF214	\$15,742.00	\$15,855.00	\$15,968.00	\$16,110.00
14' Snow Pusher (Carbide Edge Flex)	2905	SP5500EF2C14	\$20,763.00	\$20,876.00	\$20,989.00	\$21,131.00
16' Snow Pusher	3045	SP550016	\$12,939.00	\$13,052.00	\$13,165.00	\$13,307.00
16' Snow Pusher (Edge Flex)	3170	SP5500EF216	\$17,146.00	\$17,259.00	\$17,372.00	\$17,514.00
16' Snow Pusher (Carbide Edge Flex)	3170	SP5500EF2C16	\$22,881.00	\$22,994.00	\$23,107.00	\$23,249.00
18' Snow Pusher	3425	SP550018	\$13,913.00	\$14,026.00	\$14,139.00	\$14,281.00
18' Snow Pusher (Edge Flex)	3575	SP5500EF218	\$18,639.00	\$18,752.00	\$18,865.00	\$19,007.00
18' Snow Pusher (Carbide Edge Flex)	3575	SP5500EF2C18	\$25,099.00	\$25,212.00	\$25,325.00	\$25,467.00

Bucket Edge Mount Add "B" To Part # & Use Price Code C

5500 Series



SP550010LF

- 42" high mouldboard
- 44" deep fixed end plates
- Double sidewall, slim brace design for reduced material build-up
- Replaceable, reversible steel cutting edge (not reversible on Edge Flex models)
- Spring trip cutting edge
- Bucket edge mount or QTach available
- High tensile AR400 adjustable steel skidbars (floating skidbars on Edge Flex models)
- Available in rubber edge models
- Lateral float
- **2 Year Commercial Warranty**



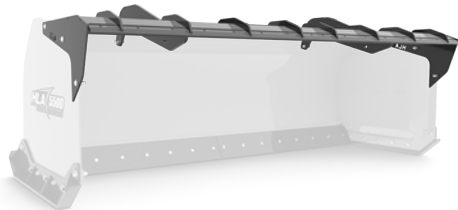
5500 Series Snow Pusher c/w Lateral Float	Weight	Part #	Price Code			
Max Operating Weight 40,000 lbs	in lbs		A	B	C	D
5500 Snow Pusher Frame	335	SB1252	\$1,877.00	\$1,990.00	\$2,103.00	\$2,245.00

Bucket Edge Mount Add "B" To Part # & Use Price Code C

	Weight	Part #	Price
10' Snow Pusher (LESS FRAME)	2395	SP550010LF	\$11,859.00
10' Snow Pusher (Edge Flex) (LESS FRAME)	2475	SP5500EF210LF	\$14,491.00
10' Snow Pusher (Carbide Edge Flex) (LESS FRAME)	2475	SP5500EF2C10LF	\$18,072.00
12' Snow Pusher (LESS FRAME)	2610	SP550012LF	\$11,859.00
12' Snow Pusher (Edge Flex) (LESS FRAME)	2705	SP5500EF212LF	\$15,016.00
12' Snow Pusher (Carbide Edge Flex) (LESS FRAME)	2705	SP5500EF2C12LF	\$19,317.00
14' Snow Pusher (LESS FRAME)	2870	SP550014LF	\$12,780.00
14' Snow Pusher (Edge Flex) (LESS FRAME)	3025	SP5500EF214LF	\$16,456.00
14' Snow Pusher (Carbide Edge Flex) (LESS FRAME)	3025	SP5500EF2C14LF	\$21,476.00
16' Snow Pusher (LESS FRAME)	3160	SP550016LF	\$13,653.00
16' Snow Pusher (Edge Flex) (LESS FRAME)	3285	SP5500EF216LF	\$17,860.00
16' Snow Pusher (Carbide Edge Flex) (LESS FRAME)	3285	SP5500EF2C16LF	\$23,595.00
18' Snow Pusher (LESS FRAME)	3545	SP550018LF	\$14,627.00
18' Snow Pusher (Edge Flex) (LESS FRAME)	3690	SP5500EF218LF	\$19,352.00
18' Snow Pusher (Carbide Edge Flex) (LESS FRAME)	3690	SP5500EF2C18LF	\$25,807.00

For complete price add SB1252 price to SP5500 of choice

5500 Series Snow Pusher Options	UOM	Part #	Price
1-1/2" x 8" Rubber Cutting Edge (priced in lieu of non Edge Flex steel edge)	ft	158RUCE	\$0.00
Snow Blade Marker (See Info on Page 38)	ea	SBM27	\$61.00
AR400 Skid Shoe (See Info on Page 38) (not available on Edge Flex models)	ea	SB1075	\$231.00
Cast Highway Skid Shoe (See Info on Page 38) (not available on Edge Flex models)	ea	LWHSKP	\$231.00
Carbide Tipped Steel Cutting Edge Kit for non Edge Flex (priced in lieu of standard steel edge) (See Info on Page 38)	ft	346CCE	\$261.00



SP550014BDK

- Ideal for back dragging away from doors and loading docks etc.
- Edges are drilled for either rubber or steel optional bolt on cutting edge

5500 Series Bolt-On Back Drag Option	Weight	UOM	Part #	Price
10' 5500 Series Back Drag Option (Welded Steel Edge)	570 lbs	ea	SP550010BDK	\$2,349.00
12' 5500 Series Back Drag Option (Welded Steel Edge)	650 lbs	ea	SP550012BDK	\$2,679.00
14' 5500 Series Back Drag Option (Welded Steel Edge)	730 lbs	ea	SP550014BDK	\$3,015.00
16' 5500 Series Back Drag Option (Welded Steel Edge)	810 lbs	ea	SP550016BDK	\$3,346.00
18' 5500 Series Back Drag Option (Welded Steel Edge)	895 lbs	ea	SP550018BDK	\$3,688.00
Optional Steel Bolt On Edge		ft		\$106.00
Optional Rubber Bolt On Edge		ft		\$103.00
Install Back Drag				\$89.00



SP550510

- 42" high mouldboard
- 60" deep fixed end plates
- Double sidewall, slim brace design for reduced material build-up
- Replaceable, reversible steel cutting edge (not reversible on Edge Flex models)
- Spring trip cutting edge
- Bucket edge mount or QTach available
- High tensile AR400 floating steel skidbars
- Available in rubber edge models
- **2 Year Commercial Warranty**



5505 Series Snow Pusher	Weight	Part #	Price Code			
	in lbs		A	B	C	D
Max Operating Weight 40,000 lbs						
10' Snow Pusher	2660	SP550510	\$12,385.00	\$12,498.00	\$12,611.00	\$12,753.00
10' Snow Pusher (Edge Flex)	2740	SP5505EF210	\$15,010.00	\$15,123.00	\$15,236.00	\$15,378.00
10' Snow Pusher (Carbide Edge Flex)	2740	SP5505EF2C10	\$18,597.00	\$18,710.00	\$18,823.00	\$18,965.00
12' Snow Pusher	2870	SP550512	\$12,385.00	\$12,498.00	\$12,611.00	\$12,753.00
12' Snow Pusher (Edge Flex)	2970	SP5505EF212	\$15,541.00	\$15,654.00	\$15,767.00	\$15,909.00
12' Snow Pusher (Carbide Edge Flex)	2970	SP5505EF2C12	\$19,842.00	\$19,955.00	\$20,068.00	\$20,210.00
14' Snow Pusher	3135	SP550514	\$13,299.00	\$13,412.00	\$13,525.00	\$13,667.00
14' Snow Pusher (Edge Flex)	3290	SP5505EF214	\$16,981.00	\$17,094.00	\$17,207.00	\$17,349.00
14' Snow Pusher (Carbide Edge Flex)	3290	SP5505EF2C14	\$22,002.00	\$22,115.00	\$22,228.00	\$22,370.00
16' Snow Pusher	3425	SP550516	\$14,172.00	\$14,285.00	\$14,398.00	\$14,540.00
16' Snow Pusher (Edge Flex)	3550	SP5505EF216	\$18,379.00	\$18,492.00	\$18,605.00	\$18,747.00
16' Snow Pusher (Carbide Edge Flex)	3550	SP5505EF2C16	\$24,114.00	\$24,227.00	\$24,340.00	\$24,482.00
18' Snow Pusher	3805	SP550518	\$15,152.00	\$15,265.00	\$15,378.00	\$15,520.00
18' Snow Pusher (Edge Flex)	3955	SP5505EF218	\$19,878.00	\$19,991.00	\$20,104.00	\$20,246.00
18' Snow Pusher (Carbide Edge Flex)	3955	SP5505EF2C18	\$26,332.00	\$26,445.00	\$26,558.00	\$26,700.00
Bucket Edge Mount Add "B" To Part # & Use Price Code C						

5505 Series



SP550510LF

- 42" high mouldboard
- 60" deep fixed end plates
- Double sidewall, slim brace design for reduced material build-up
- Replaceable, reversible steel cutting edge (not reversible on Edge Flex models)
- Spring trip cutting edge
- Bucket edge mount or QTach available
- High tensile AR400 floating steel skidbars
- Available in rubber edge models
- Lateral float
- **2 Year Commercial Warranty**



5505 Series Snow Pusher c/w Lateral Float	Weight in lbs	Part #	Price Code			
			A	B	C	D
Max Operating Weight 40,000 lbs						
5505 Snow Pusher Frame	335	SB1252	\$1,877.00	\$1,990.00	\$2,103.00	\$2,245.00
Bucket Edge Mount Add "B" To Part # & Use Price Code C						

	Weight	Part #	Price
10' Snow Pusher (LESS FRAME)	2775	SP550510LF	\$13,098.00
10' Snow Pusher (Edge Flex) (LESS FRAME)	2855	SP5505EF210LF	\$15,724.00
10' Snow Pusher (Carbide Edge Flex) (LESS FRAME)	2855	SP5505EF2C10LF	\$19,311.00
12' Snow Pusher (LESS FRAME)	2990	SP550512LF	\$13,098.00
12' Snow Pusher (Edge Flex) (LESS FRAME)	3085	SP5505EF212LF	\$16,249.00
12' Snow Pusher (Carbide Edge Flex) (LESS FRAME)	3085	SP5505EF2C12LF	\$20,550.00
14' Snow Pusher (LESS FRAME)	3250	SP550514LF	\$14,013.00
14' Snow Pusher (Edge Flex) (LESS FRAME)	3405	SP5505EF214LF	\$17,695.00
14' Snow Pusher (Carbide Edge Flex) (LESS FRAME)	3405	SP5505EF2C14LF	\$22,715.00
16' Snow Pusher (LESS FRAME)	3540	SP550516LF	\$14,886.00
16' Snow Pusher (Edge Flex) (LESS FRAME)	3670	SP5505EF216LF	\$19,093.00
16' Snow Pusher (Carbide Edge Flex) (LESS FRAME)	3670	SP5505EF2C16LF	\$24,828.00
18' Snow Pusher (LESS FRAME)	3925	SP550518LF	\$15,866.00
18' Snow Pusher (Edge Flex) (LESS FRAME)	4070	SP5505EF218LF	\$20,591.00
18' Snow Pusher (Carbide Edge Flex) (LESS FRAME)	4070	SP5505EF2C18LF	\$27,046.00

For complete price add SB1252 price to SP5505 of choice

5505 Series Snow Pusher Options	UOM	Part #	Price
1-1/2" x 8" Rubber Cutting Edge (priced in lieu of non Edge Flex steel edge)	ft	158RUCE	\$0.00
Snow Blade Marker (See Info on Page 38)	ea	SBM27	\$61.00
AR400 Skid Shoe (See Info on Page 38) (not available on Edge Flex models)	ea	SB1075	\$231.00
Cast Highway Skid Shoe (See Info on Page 38) (not available on Edge Flex models)	ea	LWHSKP	\$231.00
Carbide Tipped Steel Cutting Edge Kit for non Edge Flex (priced in lieu of standard steel edge) (See Info on Page 38)	ft	346CCE	\$261.00



SB500012

- Nitrate rods on angle cylinders
- Spring trip on cutting edge
- 42" high mouldboard
- Lateral float
- Two 3 x 16 angle cylinders
- 35° angle either direction
- Reversible cutting edge (non Edge Flex only)
- Cast highway skid shoes (non Edge Flex only)
- Cross-over relief valve protection
- Heavy duty construction on mouldboard framework and tripping edge
- **2 Year Commercial Warranty**



5000 Series Snow Blade	Weight	Part #	Price Code				Front 3 PH
			A	B	C	D	
Max Operating Weight 40,000 lbs	in lbs						
5000 Snow Blade Frame	335	SB1100	\$1,877.00	\$1,990.00	\$2,103.00	\$2,245.00	\$2,540.00
5000 Snow Blade Frame w/ Floating Blade Hinge	615	SB1100F	\$3,440.00	\$3,553.00	\$3,666.00	\$3,808.00	

	Weight	Part #	Price
9' Snow Blade (LESS FRAME)	1995	SB500009LF	\$9,523.00
9' Snow Blade (Edge Flex) (LESS FRAME)	2060	SB5000EF209LF	\$11,889.00
9' Snow Blade (Carbide Edge Flex) (LESS FRAME)	2060	SB5000EF2C09LF	\$15,116.00
10' Snow Blade (LESS FRAME)	2095	SB500010LF	\$9,523.00
10' Snow Blade (Edge Flex) (LESS FRAME)	2180	SB5000EF210LF	\$12,154.00
10' Snow Blade (Carbide Edge Flex) (LESS FRAME)	2180	SB5000EF2C10LF	\$15,736.00
12' Snow Blade (LESS FRAME)	2350	SB500012LF	\$11,582.00
12' Snow Blade (Edge Flex) (LESS FRAME)	2455	SB5000EF212LF	\$14,733.00
12' Snow Blade (Carbide Edge Flex) (LESS FRAME)	2455	SB5000EF2C12LF	\$19,034.00
14' Snow Blade (LESS FRAME)	2630	SB500014LF	\$13,641.00
14' Snow Blade (Edge Flex) (LESS FRAME)	2810	SB5000EF214LF	\$17,323.00
14' Snow Blade (Carbide Edge Flex) (LESS FRAME)	2810	SB5000EF2C14LF	\$22,338.00
16' Snow Blade (LESS FRAME)	2930	SB500016LF	\$15,700.00
16' Snow Blade (Edge Flex) (LESS FRAME)	3080	SB5000EF216LF	\$19,901.00
16' Snow Blade (Carbide Edge Flex) (LESS FRAME)	3080	SB5000EF2C16LF	\$25,636.00
18' Snow Blade (LESS FRAME)	3225	SB500018LF	\$17,759.00
18' Snow Blade (Edge Flex) (LESS FRAME)	3405	SB5000EF218LF	\$22,491.00
18' Snow Blade (Carbide Edge Flex) (LESS FRAME)	3405	SB5000EF2C18LF	\$28,946.00
Install Frame on Blade			\$89.00

For complete price add SB1100 price to SB5000 of choice

5000 Series Snow Blade Angled Widths

Model	Overall Road Width	Snow Clearing Width	Model	Overall Road Width	Snow Clearing Width
SB500010	110"	98½"	SB500014	150"	138"
SB500012	130"	118"	SB500016	170"	158"

5000 Series Snow Blade Options

	UOM	Part #	Price
1-1/2" x 8" Rubber Cutting Edge (priced in lieu of non Edge Flex steel edge)	ft	158RUCE	\$0.00
Carbide Tipped Steel Cutting Edge Kit for non Edge Flex (priced in lieu of standard steel edge) (See Info on Page 38)	ft	346CCE	\$261.00
AR400 Large Pad Skid Shoe (priced in lieu of standard skid shoe) (See Info on Page 38)	ea	SB1075U	\$77.00
90° Hose Kit c/w Flat Faced Couplers	ea	HK90	\$313.00
Snow Blade Marker (See Info on Page 38)	ea	SBM27	\$61.00
Curb Runners (requires 2 per blade) (non Edge Flex only)	ea	LP100174	\$349.00
Curb Runner (Left Side) (Edge Flex only)	ea	LP102765	\$349.00
Curb Runner (Right Side) (Edge Flex only)	ea	LP102764	\$349.00
SB5QDM Quick Attach Snow Blade Mount (See Info on Page 54)			

5203 Series



SB5203W1016

- Nitrate rods on angle cylinders
- Double electric selector valve with electro-hydraulic harness kit. 12V or 24V coils available.
- Spring-trip on cutting edge
- 42" high mouldboard
- Lateral float
- Two 3 x 16 angle cylinders
- 35° angle either direction
- Cast highway skid shoes (non Edge Flex only)
- Cross-over relief valve protection
- **2 Year Commercial Warranty**
- Reversible cutting edge (non Edge Flex only)
- Heavy duty construction on mouldboard, framework and tripping edge
- Maximum clearing width 6' wider than main mouldboard width
- Wings 36" deep / wide



Patent features

- Hydraulic rotary actuators on wing pivots— infinite wing adjustment from 0° to 180°
- Front tire protector



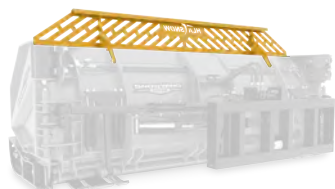
5203 Series Snow Wing	Weight	Part #	Price Code				Front 3 PH
			A	B	C	D	
Max Operating Weight 40,000 lbs	in lbs						
5203W Snow Wing Frame	335	SB1100	\$1,877.00	\$1,990.00	\$2,103.00	\$2,245.00	\$2,540.00
5203W Snow Wing Frame w/ Floating Blade Hinge	615	SB1100F	\$3,440.00	\$3,553.00	\$3,666.00	\$3,808.00	

Wire Kit for Snow Wing - Must choose 1	Part #	Price
Complete Double Diverter Wire Kit w/ 3 Way Switch	WKDV2	\$608.00
Complete Double Diverter Wire Kit w/ Foot Switch	WKDVFS2	\$1,169.00
OEM Connection Wire Kit (See Info on Page 40)		

	Weight	Part #	Price
9-15' Snow Wing (LESS FRAME)	3120	SB5203W915LF	\$23,530.00
9-15' Snow Wing (Edge Flex) (LESS FRAME)	3110	SB5203WEF2915LF	\$25,896.00
9-15' Snow Wing (Carbide Edge Flex Including Wing Edges) (LESS FRAME)	3110	SB5203WEF2C915LF	\$30,385.00
10-16' Snow Wing (LESS FRAME)	3285	SB5203W1016LF	\$23,530.00
10-16' Snow Wing (Edge Flex) (LESS FRAME)	3285	SB5203WEF21016LF	\$26,155.00
10-16' Snow Wing (Carbide Edge Flex Including Wing Edges) (LESS FRAME)	3285	SB5203WEF2C1016LF	\$31,005.00
12-18' Snow Wing (LESS FRAME)	3540	SB5203W1218LF	\$25,831.00
12-18' Snow Wing (Edge Flex) (LESS FRAME)	3555	SB5203WEF21218LF	\$28,981.00
12-18' Snow Wing (Carbide Edge Flex Including Wing Edges) (LESS FRAME)	3555	SB5203WEF2C1218LF	\$34,551.00
14-20' Snow Wing (LESS FRAME)	3835	SB5203W1420LF	\$28,138.00
14-20' Snow Wing (Edge Flex) (LESS FRAME)	3870	SB5203WEF21420LF	\$31,819.00
14-20' Snow Wing (Carbide Edge Flex Including Wing Edges) (LESS FRAME)	3870	SB5203WEF2C1420LF	\$38,103.00
16-22' Snow Wing (LESS FRAME)	4155	SB5203W1622LF	\$30,444.00
16-22' Snow Wing (Edge Flex) (LESS FRAME)	4210	SB5203WEF21622LF	\$34,645.00
16-22' Snow Wing (Carbide Edge Flex Including Wing Edges) (LESS FRAME)	4210	SB5203WEF2C1622LF	\$41,643.00
Install Frame on Blade			\$89.00

For complete price add SB1100 price & Wire Kit price to SB5203W of choice

5203 Series Snow Wing Clearing Width				
Model	Clearing Width Closed	Clearing Width Open	Overall Road Width (Angled)	Snow Clearing Width (Angled)
SB5203W915	9'	15'	103"	146"
SB5203W1016	10'	16'	113"	156"
SB5203W1218	12'	18'	133"	176"
SB5203W1420	14'	20'	153"	196"
SB5203W1622	16'	22'	173"	216"



SB52W9SG

5203/5205 Series 12" Bolt-On Spill Guard	UOM	Part #	Price
9' Spill Guard for 9' Snow Wing	ea	SB52W9SG	\$950.00
10' Spill Guard for 10' Snow Wing	ea	SB52W10SG	\$1,015.00
12' Spill Guard for 12' Snow Wing	ea	SB52W12SG	\$1,074.00
14' Spill Guard for 14' Snow Wing	ea	SB52W14SG	\$1,139.00
16' Spill Guard for 16' Snow Wing	ea	SB52W16SG	\$1,180.00
Install Spill Guard on Blade			\$89.00



SB5205W1020

- Includes standard features of the 5203W
- Maximum clearing width 10' wider than main mouldboard width
- Wings 60" deep / wide
- Great for large sites where greater clearing width is required while being able to narrow down for smaller areas
- 42" high mouldboard
- Comes with removable top sections on wings to allow for clearance under 5th wheel pins on trailers
- Double electric selector valve with electro-hydraulic harness kit. 12V or 24V coils available.
- **2 Year Commercial Warranty**

Patent features

- Hydraulic rotary actuators on wing pivots—infinite wing adjustment from 0° to 180°
- Front tire protector



5205 Series Snow Wing	Weight in lbs	Part #	Price Code				Front 3 PH
			A	B	C	D	
Max Operating Weight 40,000 lbs							
5205W Snow Wing Frame	335	SB1100	\$1,877.00	\$1,990.00	\$2,103.00	\$2,245.00	\$2,540.00
5205W Snow Wing Frame w/ Floating Blade Hinge	615	SB1100F	\$3,440.00	\$3,553.00	\$3,666.00	\$3,808.00	

Wire Kit for Snow Wing - Must choose 1	Part #	Price
Complete Double Diverter Wire Kit w/ 3 Way Switch	WKDV2	\$608.00
Complete Double Diverter Wire Kit w/ Foot Switch	WKDVFS2	\$1,169.00
OEM Connection Wire Kit (See Info on Page 40)		

	Weight	Part #	Price
9-19' Snow Wing (LESS FRAME)	3780	SB5205W919LF	\$27,111.00
9-19' Snow Wing (Edge Flex) (LESS FRAME)	3770	SB5205WEF2919LF	\$29,471.00
9-19' Snow Wing (Carbide Edge Flex Including Wing Edges) (LESS FRAME)	3770	SB5205WEF2C919LF	\$34,816.00
10-20' Snow Wing (LESS FRAME)	3910	SB5205W1020LF	\$27,111.00
10-20' Snow Wing (Edge Flex) (LESS FRAME)	3910	SB5205WEF21020LF	\$29,742.00
10-20' Snow Wing (Carbide Edge Flex Including Wing Edges) (LESS FRAME)	3910	SB5205WEF2C1020LF	\$35,430.00
12-22' Snow Wing (LESS FRAME)	4175	SB5205W1222LF	\$29,276.00
12-22' Snow Wing (Edge Flex) (LESS FRAME)	4195	SB5205WEF21222LF	\$32,433.00
12-22' Snow Wing (Carbide Edge Flex Including Wing Edges) (LESS FRAME)	4195	SB5205WEF2C1222LF	\$38,840.00
14-24' Snow Wing (LESS FRAME)	4465	SB5205W1424LF	\$31,442.00
14-24' Snow Wing (Edge Flex) (LESS FRAME)	4500	SB5205WEF21424LF	\$35,123.00
14-24' Snow Wing (Carbide Edge Flex Including Wing Edges) (LESS FRAME)	4500	SB5205WEF2C1424LF	\$42,250.00
16-26' Snow Wing (LESS FRAME)	4785	SB5205W1626LF	\$33,607.00
16-26' Snow Wing (Edge Flex) (LESS FRAME)	4840	SB5205WEF21626LF	\$37,814.00
16-26' Snow Wing (Carbide Edge Flex Including Wing Edges) (LESS FRAME)	4840	SB5205WEF2C1626LF	\$45,661.00
Install Frame on Blade			\$89.00

For complete price add SB1100 price & Wire Kit price to SB5205W of choice

5205 Series Snow Wing Clearing Width				
Model	Clearing Width Closed	Clearing Width Open	Overall Road Width (Angled)	Snow Clearing Width (Angled)
SB5205W919	9'	19'	103"	189"
SB5205W1020	10'	20'	113"	199"
SB5205W1222	12'	22'	133"	219"
SB5205W1424	14'	24'	153"	239"
SB5205W1626	16'	26'	173"	259"

5203W & 5205W Series Snow Wing Options	UOM	Part #	Price
Carbide Tipped Steel Cutting Edge Kit for non Edge Flex (priced in lieu of standard steel edge) (See Info on Page 38)	ft	346CCE	\$261.00
AR400 Large Pad Skid Shoe (priced in lieu of standard skid shoe) (See Info on Page 38)	ea	SB1075U	\$77.00
90" Hose Kit c/w Flat Faced Couplers	ea	HK90	\$313.00
Snow Blade Marker (See Info on Page 38)	ea	SBM27	\$61.00
Curb Runners (requires 2 per blade) (See Info on Page 38)	ea	LP102317	\$384.00
SB5QDM Quick Attach Snow Blade Mount (See Info on Page 54)			

6500 Series



- 53" high mouldboard
- 48" deep fixed end plates
- Double sidewall, slim brace design for reduced material build-up
- Replaceable, reversible steel cutting edge (not reversible on Edge Flex models)
- Spring trip cutting edge
- Bucket edge mount or QTach available
- High tensile AR400 adjustable steel skidbars (floating skidbars on Edge Flex models)
- Available in rubber edge models
- **2 Year Commercial Warranty**



SP650010

6500 Series Snow Pusher Max Operating Weight 60,000 lbs	Weight	Part #	Price Code			
	in lbs		A	B	C	D
10' Snow Pusher	2920	SP650010	\$19,470.00	\$19,583.00	\$19,696.00	\$19,838.00
10' Snow Pusher (Edge Flex)	2990	SP6500EF210	\$22,102.00	\$22,215.00	\$22,328.00	\$22,470.00
10' Snow Pusher (Carbide Edge Flex)	2990	SP6500EF2C10	\$25,683.00	\$25,796.00	\$25,909.00	\$26,051.00
12' Snow Pusher	3230	SP650012	\$19,470.00	\$19,583.00	\$19,696.00	\$19,838.00
12' Snow Pusher (Edge Flex)	3315	SP6500EF212	\$22,621.00	\$22,734.00	\$22,847.00	\$22,989.00
12' Snow Pusher (Carbide Edge Flex)	3315	SP6500EF2C12	\$26,922.00	\$27,035.00	\$27,148.00	\$27,290.00
14' Snow Pusher	3545	SP650014	\$21,406.00	\$21,519.00	\$21,632.00	\$21,774.00
14' Snow Pusher (Edge Flex)	3650	SP6500EF214	\$25,087.00	\$25,200.00	\$25,313.00	\$25,455.00
14' Snow Pusher (Carbide Edge Flex)	3650	SP6500EF2C14	\$30,102.00	\$30,215.00	\$30,328.00	\$30,470.00
16' Snow Pusher	3940	SP650016	\$23,317.00	\$23,430.00	\$23,543.00	\$23,685.00
16' Snow Pusher (Edge Flex)	4050	SP6500EF216	\$27,524.00	\$27,637.00	\$27,750.00	\$27,892.00
16' Snow Pusher (Carbide Edge Flex)	4050	SP6500EF2C16	\$33,259.00	\$33,372.00	\$33,485.00	\$33,627.00
18' Snow Pusher	4260	SP650018	\$24,592.00	\$24,705.00	\$24,818.00	\$24,960.00
18' Snow Pusher (Edge Flex)	4390	SP6500EF218	\$29,329.00	\$29,442.00	\$29,555.00	\$29,697.00
18' Snow Pusher (Carbide Edge Flex)	4390	SP6500EF2C18	\$35,778.00	\$35,891.00	\$36,004.00	\$36,146.00
20' Snow Pusher	4825	SP650020	\$25,866.00	\$25,979.00	\$26,092.00	\$26,234.00
20' Snow Pusher (Edge Flex)	4970	SP6500EF220	\$31,123.00	\$31,236.00	\$31,349.00	\$31,491.00
20' Snow Pusher (Carbide Edge Flex)	4970	SP6500EF2C20	\$38,291.00	\$38,404.00	\$38,517.00	\$38,659.00

Bucket Edge Mount Add "B" To Part # & Use Price Code C



SP650010LF

- 53" high mouldboard
- 48" deep fixed end plates
- Double sidewall, slim brace design for reduced material build-up
- Replaceable, reversible steel cutting edge (not reversible on Edge Flex models)
- Spring trip cutting edge
- Bucket edge mount or QTach available
- High tensile AR400 adjustable steel skidbars (floating skidbars on Edge Flex models)
- Available in rubber edge models
- Lateral float
- **2 Year Commercial Warranty**



6500 Series Snow Pusher c/w Lateral Float	Weight	Part #	Price Code			
Max Operating Weight 60,000 lbs	in lbs		A	B	C	D
6500 Snow Pusher Frame	350	SB1250R	\$3,257.00	\$3,370.00	\$3,483.00	\$3,625.00
Bucket Edge Mount Add "B" To Part # & Use Price Code C						

	Weight	Part #	Price
10' Snow Pusher (LESS FRAME)	3065	SP650010LF	\$20,184.00
10' Snow Pusher (Edge Flex) (LESS FRAME)	3135	SP6500EF210LF	\$22,816.00
10' Snow Pusher (Carbide Edge Flex) (LESS FRAME)	3135	SP6500EF2C10LF	\$26,397.00
12' Snow Pusher (LESS FRAME)	3375	SP650012LF	\$20,184.00
12' Snow Pusher (Edge Flex) (LESS FRAME)	3460	SP6500EF212LF	\$23,335.00
12' Snow Pusher (Carbide Edge Flex) (LESS FRAME)	3460	SP6500EF2C12LF	\$27,636.00
14' Snow Pusher (LESS FRAME)	3695	SP650014LF	\$22,120.00
14' Snow Pusher (Edge Flex) (LESS FRAME)	3800	SP6500EF214LF	\$25,801.00
14' Snow Pusher (Carbide Edge Flex) (LESS FRAME)	3800	SP6500EF2C14LF	\$30,816.00
16' Snow Pusher (LESS FRAME)	4090	SP650016LF	\$24,031.00
16' Snow Pusher (Edge Flex) (LESS FRAME)	4200	SP6500EF216LF	\$28,238.00
16' Snow Pusher (Carbide Edge Flex) (LESS FRAME)	4200	SP6500EF2C16LF	\$33,973.00
18' Snow Pusher (LESS FRAME)	4405	SP650018LF	\$25,306.00
18' Snow Pusher (Edge Flex) (LESS FRAME)	4535	SP6500EF218LF	\$30,043.00
18' Snow Pusher (Carbide Edge Flex) (LESS FRAME)	4535	SP6500EF2C18LF	\$36,492.00
20' Snow Pusher (LESS FRAME)	4970	SP650020LF	\$26,580.00
20' Snow Pusher (Edge Flex) (LESS FRAME)	5115	SP6500EF220LF	\$31,837.00
20' Snow Pusher (Carbide Edge Flex) (LESS FRAME)	5115	SP6500EF2C20LF	\$39,005.00

For complete price add SB1250R price to SP6500 of choice

6500 Series Snow Pusher Options	UOM	Part #	Price
1-1/2" x 8" Rubber Cutting Edge (priced in lieu of non Edge Flex steel edge)	ft	158RUCE	\$0.00
Snow Blade Marker (See Info on Page 38)	ea	SBM27	\$61.00
AR400 Skid Shoe (See Info on Page 38) (not available on Edge Flex models)	ea	SB1075	\$231.00
Cast Highway Skid Shoe (See Info on Page 38) (not available on Edge Flex models)	ea	LWHSKP	\$231.00
Carbide Tipped Steel Cutting Edge Kit for non Edge Flex (priced in lieu of standard steel edge) (See Info on Page 38)	ft	346CCE	\$261.00

6000 Series



SB600012

- Crossover relief valve
- Lateral float
- Mouldboard profile
- 53" high mouldboard
- Nitrate rods on angle cylinders
- Replaceable, reversible cutting edge (non Edge Flex only)
- Cast highway skid shoes (non Edge Flex only)
- Spring trip cutting edge
- Floating blade hinge
- **2 Year Commercial Warranty**



6000 Series Snow Blade	Weight in lbs	Part #	Price Code			
			A	B	C	D
6000 Snow Blade Frame w/ Floating Blade Hinge	615	SB1250F	\$4,077.00	\$4,190.00	\$4,303.00	\$4,445.00

	Weight	Part #	Price
10' Snow Blade (LESS FRAME)	2735	SB600010LF	\$17,960.00
10' Snow Blade (Edge Flex) (LESS FRAME)	2725	SB6000EF210LF	\$20,586.00
10' Snow Blade (Carbide Edge Flex) (LESS FRAME)	2725	SB6000EF2C10LF	\$24,173.00
12' Snow Blade (LESS FRAME)	3060	SB600012LF	\$18,816.00
12' Snow Blade (Edge Flex) (LESS FRAME)	3065	SB6000EF212LF	\$21,966.00
12' Snow Blade (Carbide Edge Flex) (LESS FRAME)	3065	SB6000EF2C12LF	\$26,267.00
14' Snow Blade (LESS FRAME)	3335	SB600014LF	\$20,851.00
14' Snow Blade (Edge Flex) (LESS FRAME)	3360	SB6000EF214LF	\$24,527.00
14' Snow Blade (Carbide Edge Flex) (LESS FRAME)	3360	SB6000EF2C14LF	\$29,548.00
16' Snow Blade (LESS FRAME)	3785	SB600016LF	\$22,857.00
16' Snow Blade (Edge Flex) (LESS FRAME)	3825	SB6000EF216LF	\$27,064.00
16' Snow Blade (Carbide Edge Flex) (LESS FRAME)	3825	SB6000EF2C16LF	\$32,799.00
18' Snow Blade (LESS FRAME)	4090	SB600018LF	\$24,875.00
18' Snow Blade (Edge Flex) (LESS FRAME)	4150	SB6000EF218LF	\$29,601.00
18' Snow Blade (Carbide Edge Flex) (LESS FRAME)	4150	SB6000EF2C18LF	\$36,055.00
20' Snow Blade (LESS FRAME)	4445	SB600020LF	\$27,046.00
20' Snow Blade (Edge Flex) (LESS FRAME)	4525	SB6000EF220LF	\$32,303.00
20' Snow Blade (Carbide Edge Flex) (LESS FRAME)	4525	SB6000EF2C20LF	\$39,471.00
Install Frame on Blade			\$89.00

For complete price add SB1250F price to SB6000 of choice

6000 Series Snow Blade Options	UOM	Part #	Price
1-1/2" x 8" Rubber Cutting Edge (priced in lieu of non Edge Flex steel edge)	ft	158RUCE	\$0.00
Carbide Tipped Steel Cutting Edge Kit for non Edge Flex (priced in lieu of standard steel edge) (See Info on Page 38)	ft	346CCE	\$261.00
AR400 Large Pad Skid Shoe (priced in lieu of standard skid shoe) (See Info on Page 38)	ea	SB1075U	\$77.00
90" Hose Kit c/w Flat Faced Couplers	ea	HK90	\$313.00
Snow Blade Marker (See Info on Page 38)	ea	SBM27	\$61.00
Curb Runners (requires 2 per blade) (non Edge Flex only)	ea	LP100174	\$349.00
Curb Runner (Left Side) (Edge Flex only)	ea	LP102765	\$349.00
Curb Runner (Right Side) (Edge Flex only)	ea	LP102764	\$349.00

6000 Series Snow Blade Angled Widths

Model	Overall Road Width	Snow Clearing Width	Model	Overall Road Width	Snow Clearing Width
SB600010	112"	98.5"	SB600016	172"	158"
SB600012	132"	118"	SB600018	192"	178"
SB600014	152"	138"	SB600020	212"	198"



SB6205W1020

- Double electric selector valve with electro-hydraulic harness kit. 12V or 24V coils available.
- 180° Rotation
- Crossover relief valve
- Floating end plate edge
- Lateral float
- Mouldboard profile
- Nitrate rods on angle cylinders
- 53" high mouldboard
- Wings 60" deep/wide
- **2 Year Commercial Warranty**
- Reversible cutting edge (non Edge Flex only)
- Cast highway skid shoes (non Edge Flex only)
- Spring trip cutting edge
- Floating blade hinge

Patent features

- Hydraulic rotary actuators on wing pivots— infinite wing adjustment from 0° to 180°
- Front tire protector



6205 Series Snow Wing	Weight	Part #	Price Code			
			A	B	C	D
Max Operating Weight 60,000 lbs	in lbs					
6205W Snow Wing Frame w/ Floating Blade Hinge	615	SB1250F	\$4,077.00	\$4,190.00	\$4,303.00	\$4,445.00

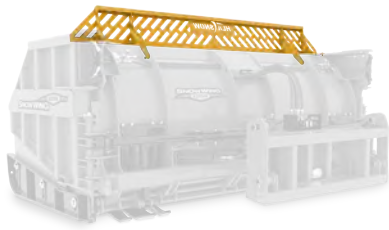
Wire Kit for Snow Wing - Must choose 1	Part #	Price
Complete Double Diverter Wire Kit w/ 3 Way Switch	WKDV2	\$608.00
Complete Double Diverter Wire Kit w/ Foot Switch	WKDVFS2	\$1,169.00
OEM Connection Wire Kit (See Info on Page 40)		

	Weight	Part #	Price
10-20' Snow Wing (LESS FRAME)	4435	SB6205W1020LF	\$30,610.00
10-20' Snow Wing (Edge Flex) (LESS FRAME)	4425	SB6205WEF21020LF	\$33,235.00
10-20' Snow Wing (Carbide Edge Flex Including Wing Edges) (LESS FRAME)	4425	SB6205WEF2C1020LF	\$38,929.00
12-22' Snow Wing (LESS FRAME)	4760	SB6205W1222LF	\$32,958.00
12-22' Snow Wing (Edge Flex) (LESS FRAME)	4765	SB6205WEF21222LF	\$36,114.00
12-22' Snow Wing (Carbide Edge Flex Including Wing Edges) (LESS FRAME)	4765	SB6205WEF2C1222LF	\$42,522.00
14-24' Snow Wing (LESS FRAME)	5030	SB6205W1424LF	\$35,300.00
14-24' Snow Wing (Edge Flex) (LESS FRAME)	5055	SB6205WEF21424LF	\$38,982.00
14-24' Snow Wing (Carbide Edge Flex Including Wing Edges) (LESS FRAME)	5055	SB6205WEF2C1424LF	\$46,103.00
16-26' Snow Wing (LESS FRAME)	5485	SB6205W1626LF	\$37,648.00
16-26' Snow Wing (Edge Flex) (LESS FRAME)	5525	SB6205WEF21626LF	\$41,855.00
16-26' Snow Wing (Carbide Edge Flex Including Wing Edges) (LESS FRAME)	5525	SB6205WEF2C1626LF	\$49,696.00
18-28' Snow Wing (LESS FRAME)	5855	SB6205W1828LF	\$40,333.00
18-28' Snow Wing (Edge Flex) (LESS FRAME)	5915	SB6205WEF21828LF	\$45,065.00
18-28' Snow Wing (Carbide Edge Flex Including Wing Edges) (LESS FRAME)	5915	SB6205WEF2C1828LF	\$53,626.00
20-30' Snow Wing (LESS FRAME)	6220	SB6205W2030LF	\$42,681.00
20-30' Snow Wing (Edge Flex) (LESS FRAME)	6300	SB6205WEF22030LF	\$47,938.00
20-30' Snow Wing (Carbide Edge Flex Including Wing Edges) (LESS FRAME)	6300	SB6205WEF2C2030LF	\$57,219.00
Install Frame on Blade			\$89.00

For complete price add SB1250F price & Wire Kit price to SB6205W of choice

6205 Series Snow Wing Clearing Width				
Model	Clearing Width Closed	Clearing Width Open	Overall Road Width (Angled)	Snow Clearing Width (Angled)
SB6205W1020	10'	20'	115"	195"
SB6205W1222	12'	22'	135"	215"
SB6205W1424	14'	24'	155"	235"
SB6205W1626	16'	26'	175"	255"
SB6205W1828	18'	28'	195"	275"
SB6205W2030	20'	30'	215"	295"

6205 Series



SB62W10SG

6205 Series 12" Bolt-On Spill Guard	UOM	Part #	Price
10' Spill Guard for SB6205W1020 Snow Wing	ea	SB62W10SG	\$1,110.00
12' Spill Guard for SB6205W1222 Snow Wing	ea	SB62W12SG	\$1,169.00
14' Spill Guard for SB6205W1424 Snow Wing	ea	SB62W14SG	\$1,234.00
16' Spill Guard for SB6205W1626 Snow Wing	ea	SB62W16SG	\$1,293.00
18' Spill Guard for SB6205W1828 Snow Wing	ea	SB62W18SG	\$1,340.00
20' Spill Guard for SB6205W2030 Snow Wing	ea	SB62W20SG	\$1,405.00
Install Spill Guard on Blade			\$89.00

6205W Series Snow Wing Options	UOM	Part #	Price
Carbide Tipped Steel Cutting Edge Kit for non Edge Flex (priced in lieu of standard steel edge) (See Info on Page 38)	ft	346CCE	\$261.00
AR400 Large Pad Skid Shoe (priced in lieu of standard skid shoe) (See Info on Page 38)	ea	SB1075U	\$77.00
90" Hose Kit c/w Flat Faced Couplers	ea	HK90	\$313.00
Snow Blade Marker (See Info on Page 38)	ea	SBM27	\$61.00
Curb Runners (requires 2 per blade) (See Info on Page 38)	ea	LP102317	\$384.00

Brooms - Hydraulic Rotary



BR72

- Unique lateral and forward float
- Gauge wheels
- Includes hydraulic hoses and flat-faced couplers
- 26" diameter poly/steel bristle wafers
- Hydraulic angle 30° right and left
- Direct motor drive on broom
- Hydraulic requirements: 12-20 GPM @ 1500 - 3000 PSI
- Optional Electrical Wiring Kit to connect your OEM skidsteer auxilliary electric controls.
- Equipped with 50/50 poly steel bristles (optional all poly)
- Optional Kit to reverse broom rotation for sweeping away from doors etc.
- Optional Dust Suppression Water Kit available

Hydraulic Rotary Broom	Weight in lbs	UOM	Part #	Price Code			
				A	B	C	D
60" Wide Broom	1040	ea	BR60	\$10,408.00	\$10,521.00	\$10,634.00	\$10,776.00
72" Wide Broom	1075	ea	BR72	\$11,269.00	\$11,382.00	\$11,495.00	\$11,637.00
84" Wide Broom	1110	ea	BR84	\$11,789.00	\$11,902.00	\$12,015.00	\$12,157.00
96" Wide Broom	1145	ea	BR96	\$12,526.00	\$12,639.00	\$12,752.00	\$12,894.00
Optional Reversing Kit for BR Series		ea	BRORK	\$1,051.00			

For complete price add Standard Wire Kit or OEM Wire Kit price to Broom of choice

Wire Kit for Broom - Must choose 1	UOM	Part #	Price
Wire Kit for Broom c/w Hand Held Control	ea	WKDVBR	\$921.00
OEM Connection Wire Kit (See Info on Page 41)			

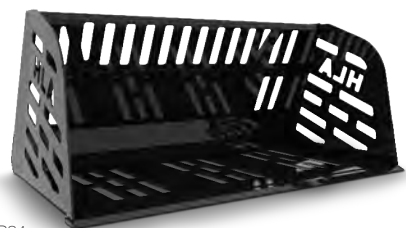


- 3/16" material, 1/4" end plates
- 3/4 X 4 bevelled cutting edge
- Reinforced top lip
- Screened back for better visibility
- 39" deep, 31" high
- Reinforced round back and end plates for strength, easy filling & clean out
- Flat top acts as level indicator
- Tapered end plates are self-cleaning and reduces material build-up.
- Drilled for standard bolt on cutting edge

SBSN84

Add 2" to Inside Width column to calculate Outside Width of bucket

High Volume Skidsteer Snow Bucket	Inside Width	Struck Cap - Level	SAE Cap - Heaped	Weight	Part #	Price Code			
		cu ft	cu ft			A	B	C	D
60" HV Snow Bucket	60"	23.6	29.0	575	SBSN60	\$1,753.00	\$1,866.00	\$1,979.00	\$2,121.00
66" HV Snow Bucket	66"	25.9	32.0	610	SBSN66	\$1,953.00	\$2,066.00	\$2,179.00	\$2,321.00
72" HV Snow Bucket	72"	28.3	35.1	645	SBSN72	\$2,077.00	\$2,190.00	\$2,303.00	\$2,445.00
78" HV Snow Bucket	78"	30.7	38.1	690	SBSN78	\$2,325.00	\$2,438.00	\$2,551.00	\$2,693.00
84" HV Snow Bucket	84"	33.0	41.2	725	SBSN84	\$2,555.00	\$2,668.00	\$2,781.00	\$2,923.00
90" HV Snow Bucket	90"	35.4	44.2	775	SBSN90	\$2,644.00	\$2,757.00	\$2,870.00	\$3,012.00
96" HV Snow Bucket	96"	37.7	47.3	805	SBSN96	\$2,862.00	\$2,975.00	\$3,088.00	\$3,230.00
108" HV Snow Bucket	108"	42.5	53.3	940	SBSN108	\$3,588.00	\$3,701.00	\$3,814.00	\$3,956.00
120" HV Snow Bucket	120"	47.2	59.4	1010	SBSN120	\$4,355.00	\$4,468.00	\$4,581.00	\$4,723.00

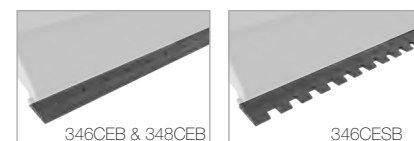


- Profile 39" deep and 31" high
- Tapered end plates
- Tall rounded end plates for increased capacity
- Excellent operator visibility
- Drilled for standard bolt on cutting edge

SBSB84

High Volume Skidsteer Snow Basket	Inside Width	Struck Cap - Level	SAE Cap - Heaped	Weight	Part #	Price Code			
		cu ft	cu ft			A	B	C	D
60" HV Snow Basket	60"	23.7	28.4	575	SBSB60	\$1,900.00	\$2,013.00	\$2,126.00	\$2,268.00
66" HV Snow Basket	66"	25.5	30.9	605	SBSB66	\$2,384.00	\$2,497.00	\$2,610.00	\$2,752.00
72" HV Snow Basket	72"	27.5	33.6	635	SBSB72	\$2,862.00	\$2,975.00	\$3,088.00	\$3,230.00
78" HV Snow Basket	78"	29.6	36.6	670	SBSB78	\$3,352.00	\$3,465.00	\$3,578.00	\$3,720.00
84" HV Snow Basket	84"	31.8	39.5	705	SBSB84	\$3,841.00	\$3,954.00	\$4,067.00	\$4,209.00
90" HV Snow Basket	90"	34.5	43.3	750	SBSB90	\$4,325.00	\$4,438.00	\$4,551.00	\$4,693.00
96" HV Snow Basket	96"	36.8	46.4	785	SBSB96	\$4,809.00	\$4,922.00	\$5,035.00	\$5,177.00
108" HV Snow Basket	108"	42.5	54.6	870	SBSB108	\$5,777.00	\$5,890.00	\$6,003.00	\$6,145.00
120" HV Snow Basket	120"	49.2	64.2	970	SBSB120	\$6,750.00	\$6,863.00	\$6,976.00	\$7,118.00

Bucket Accessories	UOM	Part #	Price
3/4 X 6 Double Bevel Bolt On Cutting Edge c/w Bolts & Nuts	ft	346CEB	\$83.00
3/4 X 8 Double Bevel Bolt On Cutting Edge c/w Bolts & Nuts	ft	348CEB	\$109.00
3/4 X 6 Single Bevel Serrated Bolt On Cutting Edge c/w Bolts & Nuts	ft	346CESB	\$103.00



ScatterShot



HS100

- Efficient six vane stainless steel spinner
- Capacity: ½ yard
- Spread width: up to 40'
- Hydraulic requirements: 5-20 GPM @ 2000-3000 PSI
- Hoses and couplers included with hydraulic drive models
- Width 48"
- 13" Skidsteer quick attach spacer
- Fully galvanized hot dipped body and frame



HS100 Series ScatterShot	Weight	Part #	Price Code				3PH Non-self-loading	3PH Self-loading
			A	B	C	D		
Single Spinner	in lbs							Requires 2 sets of remotes
HS100 Bolt on Kit	105	BOKHS1	\$980.00	\$1,093.00	\$1,206.00	\$1,348.00	\$1,643.00	\$3,948.00

	Weight	Part #	Price
Broadcast Spreader - Hydraulic Drive, (LESS FRAME)	340	HS100LF	\$5,576.00
Install Bolt on Kit on Spreader			\$89.00
For complete price add BOKHS1 price to HS100			

	Weight	Part #	Price
Broadcast Spreader - PTO Drive, CAT 1 3PH, Non-Self Loading	420	HS100PTO3PHC1	\$7,552.00



HS200

- Efficient hydraulic drive six vane stainless steel twin spinners
- Capacity: 1½ yards
- Spread width: up to 60'
- Hydraulic requirements: 5-20 GPM @ 2000-3000 PSI
- Hoses and couplers
- Width 86"
- Fully galvanized hot dipped body and frame



HS200 Series ScatterShot	Weight	Part #	Price Code				3PH Non-self-loading	3PH Self-loading
			A	B	C	D		
Double Spinner	in lbs							Requires 2 sets of remotes
HS200 Bolt on Kit	275	BOKHS2	\$1,269.00	\$1,382.00	\$1,495.00	\$1,637.00	\$1,932.00	\$5,493.00

	Weight	Part #	Price
HS200 Scattershot - Hydraulic Drive, (LESS FRAME)	1265 lbs	HS200LF	\$15,317.00
Install Bolt on Kit on Spreader			\$89.00
For complete price add BOKHS2 price to HS200			

HS Series ScatterShot Accessories	UOM	Part #	Price
HS100 Hydraulic Shut-off Gate	ea	HS100HSO	\$956.00
HS100 Drop Spreading Shield - 36" wide	ea	HS100DSS	\$372.00
HS100 Hopper Cover (Black vinyl with drawstring)	ea	HS100VHC	\$284.00
HS200 Hopper Cover (Black vinyl with drawstring)	ea	HS200VHC	\$608.00
HS200/HS300 Hydraulic Shut-off Gate	ea	HS200HSO	\$1,965.00

NEW!



HS300

- Efficient hydraulic drive six vane stainless steel twin spinners
- Capacity: 3 yards
- Spread width: up to 60'
- Hydraulic requirements: 5-20 GPM @ 2000-3000 PSI
- Hoses and couplers
- Width 96"
- Fully galvanized hot dipped body and frame



HS300 Series ScatterShot	Weight	Part #	Price Code			
			A	B	C	D
Double Spinner	in lbs					
HS300 Bolt on Kit	275	BOKHS2	\$1,269.00	\$1,382.00	\$1,495.00	\$1,637.00

	Weight	Part #	Price
HS300 Scattershot - Hydraulic Drive, (LESS FRAME)	1855 lbs	HS300LF	\$24,190.00
Install Bolt on Kit on Spreader			\$89.00
For complete price add BOKHS2 price to HS300			

Options



Cast Highway Skid Shoes

- Optional for non Edge Flex 4500, 5500, 5505 & 6500 series pushers
- Long wearing properties for extended life span



Snow Blade Markers

- 27" High
- Can be mounted on most blades
- (Will not adapt to manual flip up end plates)



Floating Blade Hinge

- This option adds a mechanical float to the blade. This allows the blade to better follow the surface contour. The float is designed to be simply locked out when not needed by rolling the attachment carrier forward.



Carbide Tipped Cutting Edges

- Carbide tipped edges are designed for heavy commercial use, this non reversible cutting edge is suited for heavy duty clearing on concrete or asphalt.



Curb Runner

- Protects cutting edge from potential wear from rubbing against curbs etc.



AR400 Skid Shoes

- Available only for non Edge Flex 4000, 4203W, 4205W, 4500, 5000, 5203W, 5205W, 5500, 5505, 6000, 6205W & 6500 series blades
- Large pad style skid shoes for better floatation on soft surfaces



Curb Runner for Snow Wing

- Protects wing cutting edge from potential wear from rubbing against curbs etc.

Foot Switch



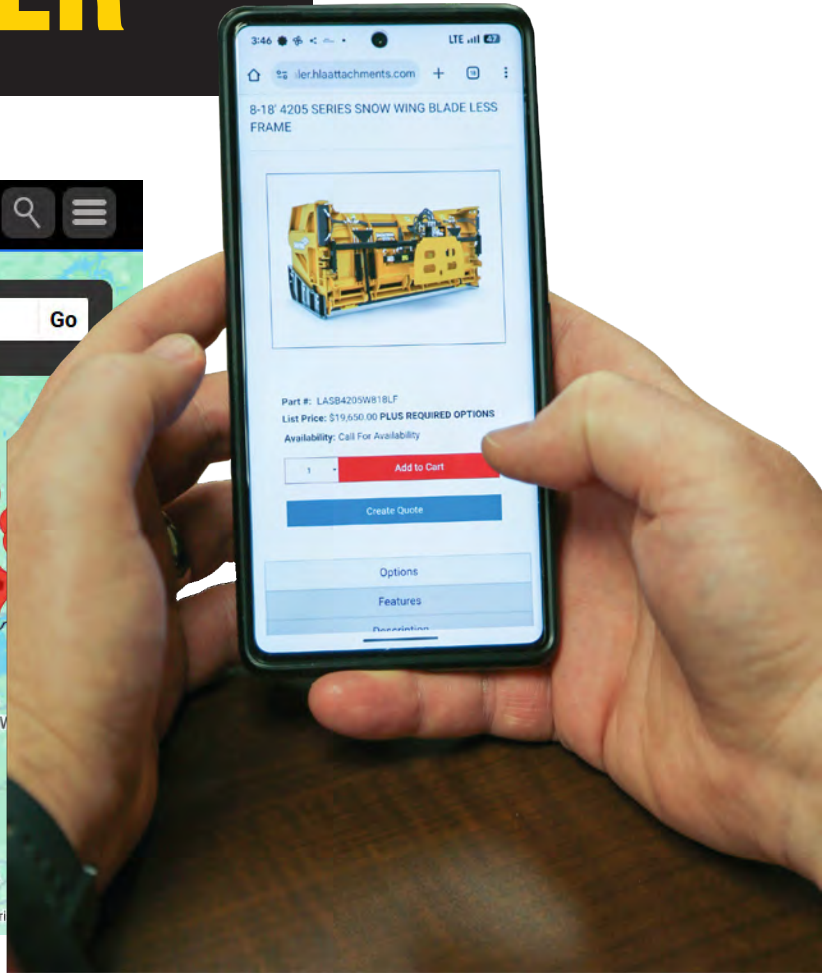
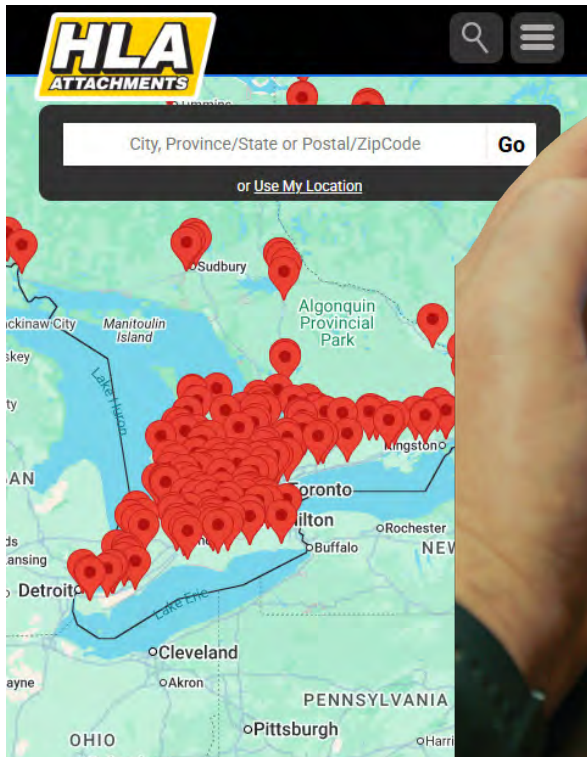
The Foot Switch is a direct replacement for the 3-way toggle switch traditionally used to control the diverter valve on Snow Wing plows.

- Available as a field install kit to retrofit from a 3-way toggle switch, or as an upgrade option with a new plow order



Follow QR Code to see the "Optional Footswitch Wing Control" video.

A SMARTER, FASTER WAY TO ORDER



SIMPLIFY YOUR ORDERING PROCESS.

Login and see dealer net pricing, check available inventory, and submit orders direct from your dealer portal. Register for Ecommerce now and instantly be added to our dealer locator.

Register today by scanning the QR Code or visiting us online at
dealer.hlasnow.com



Electrical Wiring Kit - For OEM Connection

Optional OEM Connection Wire Kit for all Snow Wing Series	UOM	Part #	Price
ASV 8 Pin Wiring Kit (Deutsch Plug)	ea	EWKD8CAT	\$467.00
ASV 14 Pin Wiring Kit (Deutsch Plug)	ea	EWKD14CAT	\$467.00
Bobcat 14 Pin Wiring Kit (Deutsch Plug)	ea	EWKD14BO	\$467.00
Bobcat 7 Pin Wiring Kit (Deutsch Plug)	ea	EWKD7BO	\$1,393.00
Case 14 Pin Wiring Kit (Deutsch Plug)	ea	EWKD14CNH	\$467.00
Caterpillar 14 Pin Wiring Kit (Deutsch Plug)	ea	EWKD14CAT	\$467.00
Caterpillar 8 Pin Wiring Kit (Deutsch Plug)	ea	EWKD8CAT	\$467.00
Gehl 14 Pin Wiring Kit (Deutsch Plug)	ea	EWKD14CAT	\$467.00
Hyundia 14 Pin Wiring Kit (Deutsch Plug)	ea	EWKD14KI	\$467.00
JCB 14 Pin Wiring Kit (Deutsch Plug)	ea	EWKD14KU	\$467.00
John Deere 3 Pin Wiring Kit (Deutsch Plug)	ea	EWKD3JD	\$467.00
John Deere 14 Pin Wiring Kit (Deutsch Plug)	ea	EWKD14JD	\$467.00
Kubota 14 Pin Wiring Kit (Deutsch Plug)	ea	EWKD14KU	\$467.00
Kioti 14 Pin Wiring Kit (Deutsch Plug)	ea	EWKD14KI	\$467.00
Merlo 10 Pin Wiring Kit (Deutsch Plug)	ea	EWKD10ME	\$478.00
New Holland 14 Pin Wiring Kit (Deutsch Plug)	ea	EWKD14CNH	\$467.00
Takeuchi 14 Pin Wiring Kit (Deutsch Plug)	ea	EWKD14TA	\$467.00
Volvo 14 Pin Wiring Kit (Deutsch Plug)	ea	EWKD14KU	\$467.00
Wacker Neuson 14 Pin Wiring Kit (Deutsch Plug)	ea	EWKD14KU	\$467.00
Yanmar 14 Pin Wiring Kit (Deutsch Plug)	ea	EWKD14CAT	\$467.00

Call for makes or models not listed.

Optional OEM Connection Wire Kit for SB36/4600V & SP3530W Series	UOM	Part #	Price
ASV 8 Pin Wiring Kit (Single Deutsch Plug)	ea	EWKSD8CAT	\$443.00
ASV 14 Pin Wiring Kit (Single Deutsch Plug)	ea	EWKSD14CAT	\$443.00
Bobcat 14 Pin Wiring Kit (Single Deutsch Plug)	ea	EWKSD14BO	\$443.00
Bobcat 7 Pin Wiring Kit (Single Deutsch Plug)	ea	EWKSD7BO	\$1,363.00
Case 14 Pin Wiring Kit (Single Deutsch Plug)	ea	EWKSD14CNH	\$443.00
Caterpillar 14 Pin Wiring Kit (Single Deutsch Plug)	ea	EWKSD14CAT	\$443.00
Caterpillar 8 Pin Wiring Kit (Single Deutsch Plug)	ea	EWKSD8CAT	\$443.00
Gehl 14 Pin Wiring Kit (Single Deutsch Plug)	ea	EWKSD14CAT	\$443.00
Hyundia 14 Pin Wiring Kit (Single Deutsch Plug)	ea	EWKSD14KI	\$443.00
JCB 14 Pin Wiring Kit (Single Deutsch Plug)	ea	EWKSD14KU	\$443.00
John Deere 3 Pin Wiring Kit (Single Deutsch Plug)	ea	EWKSD3JD	\$443.00
John Deere 14 Pin Wiring Kit (Single Deutsch Plug)	ea	EWKSD14JD	\$443.00
Kubota 14 Pin Wiring Kit (Single Deutsch Plug)	ea	EWKSD14KU	\$443.00
Kioti 14 Pin Wiring Kit (Single Deutsch Plug)	ea	EWKSD14KI	\$443.00
Merlo 10 Pin Wiring Kit (Single Deutsch Plug)	ea	EWKSD10ME	\$443.00
New Holland 14 Pin Wiring Kit (Single Deutsch Plug)	ea	EWKSD14CNH	\$443.00
Takeuchi 14 Pin Wiring Kit (Single Deutsch Plug)	ea	EWKSD14TA	\$443.00
Volvo 14 Pin Wiring Kit (Single Deutsch Plug)	ea	EWKSD14KU	\$443.00
Wacker Neuson 14 Pin Wiring Kit (Single Deutsch Plug)	ea	EWKSD14KU	\$443.00
Yanmar 14 Pin Wiring Kit (Single Deutsch Plug)	ea	EWKSD14CAT	\$443.00

Call for makes or models not listed.

Electrical Wiring Kit - For OEM Connection

Optional OEM Connection Wire Kit for Brooms	UOM	Part #	Price
ASV Skidsteer 8 Pin HLA Broom Wire Kit	ea	EWKBR8CAT	\$478.00
Bobcat Skidsteer 14 Pin HLA Broom Wire Kit	ea	EWKBR14BO	\$478.00
Bobcat Skidsteer 7 Pin HLA Broom Wire Kit	ea	EWKBR7BO	\$3,127.00
Case Skidsteer 14 Pin HLA Broom Wire Kit	ea	EWKBR14CNH	\$478.00
Caterpillar Skidsteer 14 Pin HLA Broom Wire Kit	ea	EWKBR14CAT	\$478.00
Caterpillar Skidsteer 8 Pin HLA Broom Wire Kit	ea	EWKBR8CAT	\$478.00
Gehl Skidsteer 14 Pin HLA Broom Wire Kit	ea	EWKBR14CAT	\$478.00
JCB Skidsteer 14 Pin HLA Broom Wire Kit	ea	EWKBR14KU	\$478.00
John Deere Skidsteer 14 Pin HLA Broom Wire Kit	ea	EWKBR14JD	\$478.00
Kubota Skidsteer 14 Pin HLA Broom Wire Kit	ea	EWKBR14KU	\$478.00
New Holland Skidsteer 14 Pin HLA Broom Wire Kit	ea	EWKBR14CNH	\$478.00
Takeuchi Skidsteer 14 Pin HLA Broom Wire Kit	ea	EWKBR14TA	\$478.00
Volvo Skidsteer 14 Pin HLA Broom Wire Kit	ea	EWKBR14KU	\$478.00
Wacker Neuson Skidsteer 14 Pin HLA Broom Wire Kit	ea	EWKBR14KU	\$478.00

Call for makes or models not listed.

SB2000DM Quick Attach Snow Blade Mount

The SB2000DM Snow Blade Mount is designed to work with the HLA2DM mounting option for the SB1000 & 2000 series snow blades and other select HLA products.

The undermount is securely connected to both the front and rear of your tractor chassis. The force is distributed through the mount from the front providing incredible pushing strength.

The single pin QTach design allows for uncomplicated mounting and dismounting of the snow blade.

Available for most makes, the SB2000DM mount with HLA2DM mounting option includes all hardware and hose kits allowing for easy installation.

SB2000DM Quick Attach Snow Blade Mount	Weight	UOM	Part #	Price
SB2000DM Quick Attach Snow Blade Mount	400 lbs	ea	see tractor listing	\$2,750.00
Optional Factory Blade Installation - SB2000DM		ea	SB2000IN	\$915.00

SB2000DM Features

- QTach from blade to snow blade mount is standard
- Mounts available for most makes, call dealer for details

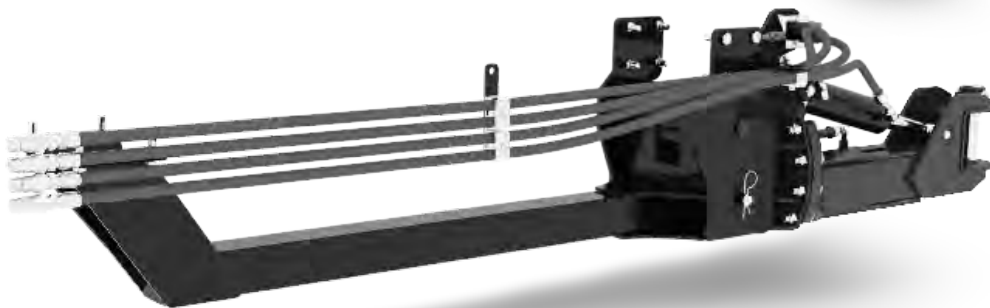
HLA2DM Features

- Angle and lift hydraulics
- Cross over relief valve – protects blade and tractor
- Radial hydraulic lift
- Lateral Float: allows blade to follow ground contours
- Mounting hardware and hose kits included



To Order And Price Blades Fitting To SB2000DM Quick Attach Snow Blade Mount

Choose desired blade part # and add mounting part #HLA2DM, which is Price Code C. Specify if connecting to midmount valve or rear remotes.



2000 Series Blade Mounts	
Model #	Part #
Bobcat	
Bobcat CT1025	SB2000DMBOCT1025
Bobcat CT2035	SB2000DMBOCT2535
Bobcat CT2535	SB2000DMBOCT2535

Case IH	
Case IH Farmall 31	SB2000DMCIFAR31
Case IH Farmall DX31	SB2000DMCIFAR31
Case IH Farmall 35A	SB2000DMCIFAR35C
Case IH Farmall 35C	SB2000DMCIFAR35C
Case IH Farmall 40C	SB2000DMCIFAR35C

2000 Series Snow Blade Mounts

John Deere	
John Deere 1025R	SB2000DMJD1026R
John Deere 1026R	SB2000DMJD1026R
John Deere 2025R S# 0 - 1LV2025RCHH100000	SB2000DMJD2320
John Deere 2025R S# 1LV2025RCHH100001 - end	SB2000DMJD2025R
John Deere 2026R S# 1LV2026RTHH200003 - end	SB2000DMJD2025R
John Deere 2032R North American Edition	SB2000DMJD2032R
John Deere 2032R Worldwide Edition	SB2000DMJD2032R
John Deere 2038R North American Edition	SB2000DMJD2032R
John Deere 2038R Worldwide Edition	SB2000DMJD2032R
John Deere 2320	SB2000DMJD2320
John Deere 2520	SB2000DMJD2520
John Deere 3033R	SB2000DMJD3720
John Deere 3038R	SB2000DMJD3720
John Deere 3039R	SB2000DMJD3720
John Deere 3045R	SB2000DMJD3720
John Deere 3046R	SB2000DMJD3720
John Deere 3320	SB2000DMJD3720
John Deere 3520	SB2000DMJD3720
John Deere 3720	SB2000DMJD3720
John Deere 4005	SB2000DMJD4005
John Deere 4044M	SB2000DMJD4066R
John Deere 4044R	SB2000DMJD4066R
John Deere 4049M	SB2000DMJD4066R
John Deere 4049R	SB2000DMJD4066R
John Deere 4052M	SB2000DMJD4066R
John Deere 4052R	SB2000DMJD4066R
John Deere 4310	SB2000DMJD3720
John Deere 4320	SB2000DMJD4320
John Deere 4410	SB2000DMJD3720
John Deere 4520	SB2000DMJD4320
John Deere 4600	SB2000DMJD4600
John Deere 4610	SB2000DMJD4600
John Deere 4720	SB2000DMJD4320

Kioti	
Kioti DK35SE	SB2000DMKIDK35SE
Kioti DK45SE	SB2000DMKIDK45SE
Kioti CK2510	SB2000DMKICK2510
Kioti CX2510 no Cab	SB2000DMKICK2510
Kioti CX2510 with Cab	SB2000DMKICX2510C
Kioti DK 4710 SE	SB2000DMKIDK4710SE

Kubota	
Kubota L2501	SB2000DMKUL3800
Kubota LX2610	SB2000DMKUB3000
Kubota B2650	SB2000DMKUB3000
Kubota B3000	SB2000DMKUB3000
Kubota B3030	SB2000DMKUB3000
Kubota B3350	SB2000DMKUB3000
Kubota L3301	SB2000DMKUL3800
Kubota LX3310	SB2000DMKUB3000
Kubota L3400	SB2000DMKUL3800
Kubota LX3520	SB2000DMKULX4020
Kubota L3560	SB2000DMKUL3560
Kubota L3800	SB2000DMKUL3800
Kubota L3830	SB2000DMKUL3830
Kubota L3901	SB2000DMKUL3800
Kubota L3940	SB2000DMKUL3940
Kubota LX4020	SB2000DMKULX4020

Kubota L4060	SB2000DMKUL3940
Kubota L4240	SB2000DMKUL3940
Kubota L4400	SB2000DMKUL3940
Kubota L4630	SB2000DMKUL3940
Kubota L4760	SB2000DMKUL3940

Mahindra	
Mahindra eMax 20S	SB2000DMMHEMX20S
Mahindra eMax 25L	SB2000DMMHEMX25L
Mahindra 2555	SB2000DMMH2655
Mahindra 2655	SB2000DMMH2655
Mahindra 6010	SB2000DMMH6010

Massey Ferguson	
Massey Ferguson 1526	SB2000DMMF1526
Massey Ferguson 1635	SB2000DMMF1635
Massey Ferguson 1643	SB2000DMMF1643
Massey Ferguson 1726E	SB2000DMMF1739E
Massey Ferguson 1734E	SB2000DMMF1739E
Massey Ferguson 1735E	SB2000DMMF1739E
Massey Ferguson 1735M	SB2000DMMF1735M
Massey Ferguson 1736	SB2000DMMF1736
Massey Ferguson 1739E	SB2000DMMF1739E
Massey Ferguson 1740M	SB2000DMMF1735M
Massey Ferguson 1742	SB2000DMMF1749
Massey Ferguson 1749	SB2000DMMF1749
Massey Ferguson 1750M	SB2000DMMF1760M
Massey Ferguson 1754	SB2000DMMF1758
Massey Ferguson 1755M	SB2000DMMF1760M
Massey Ferguson 1758	SB2000DMMF1758
Massey Ferguson 1760M	SB2000DMMF1760M
Massey Ferguson 1825E	SB2000DMMF1825E
Massey Ferguson 1835M	SB2000DMMF1835M
Massey Ferguson 2860M Hydrostatic	SB2000DMMF2860M

Montana	
Montana R2844	SB2000DMMTR3644
Montana R3644	SB2000DMMTR3644

New Holland	
New Holland Workmaster 25S	SB2000DMNHWM25S
New Holland 3050	SB2000DMNH3050
New Holland Boomer 40	SB2000DMNHB40
New Holland Boomer 47	SB2000DMNHB47
New Holland 45D	SB2000DMNH3050
New Holland 50D	SB2000DMNH3050
New Holland Boomer 50 Tier 4B	SB2000DMNHB50
New Holland Boomer 55	SB2000DMNHB50

Yanmar	
Yanmar YT235C	SB2000DMYAYT235C
Yanmar YT359	SB2000DMYAYT359

SB2QDM Quick Attach Snow Blade Mount

The HLA Quick Attach Snow Blade Mount is securely connected to both the front and rear of your tractor. Relying on the rear of the mount, the force is pushed through the drawbar from the front of the mount providing incredible pushing strength. With parallel linkage, you can rest assured that the blade will always remain parallel to the ground whether it's raised for stacking snow or at full angle.

The quick release design relies on model-specific adapter brackets fitted to the tractor chassis. With the hydraulics connected, down pressure on the blade allows you to raise the undermount, aligning it with the front of the bracket. Once engaged, reversing the pressure raises the rear of the undermount, locking it into place.

Available for most makes, the undercarriage mount includes hardware, hose kits and electro - hydraulic wire kit allowing for easy installation.

SB2QDM Quick Attach Snow Blade Mount	Weight	UOM	Part #	Price
SB2QDM Quick Attach Snow Blade Mount less Mount Kit	920 lbs	ea	SB2QDMF	\$2,219.00
SB2QDM Quick Attach Undermount Mount Kit	125 lbs	ea	see tractor listing for SB2QDMB	\$1,924.00
Optional Factory Blade Installation - SB2QDM		ea	SB2000IN	\$915.00

To Order And Price Blades Fitting To SB2QDM Quick Attach Snow Blade Mount

Choose desired blade part # and add mounting part #HLA2QDM, which is Price Code C, to fit the undermount lift arms.



1 Power and Control

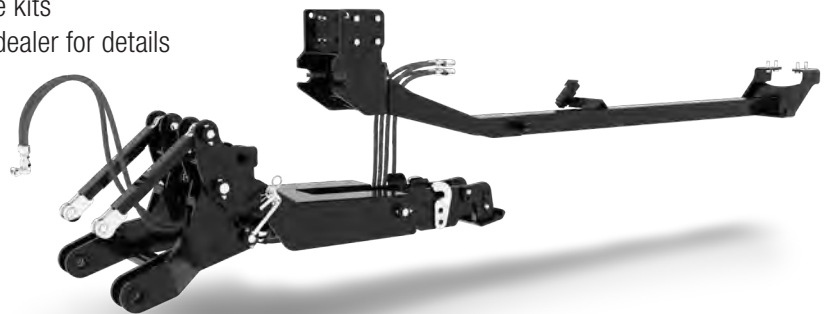
- Parallel linkage for optimum lifting height
- Package includes all mounting hardware and hose kits
- Mount Kits available for most tractor makes, call dealer for details
- Soft ride accumulator standard

2 Parallel Vertical Lift

- Blade remains parallel to ground even at full angle and raised
- Extra height for piling snow

3 Quick Release System

- Quick Release system allows for removal of the complete mount and snowblade in minutes



SB2QDM Quick Attach Snow Blade Mount Kits

SB2QDM Quick Attach Snow Blade Mount Kits	
Model #	Part #
Bobcat	
Bobcat CT5545	SB2QDMBBOCT5558
Bobcat CT5550	SB2QDMBBOCT5558
Bobcat CT5555	SB2QDMBBOCT5558
Bobcat CT5558	SB2QDMBBOCT5558
Case IH	
Case IH Farmall 31	SB2QDMBCIFM45
John Deere	
John Deere 4044M	SB2QDMBJD4052R
John Deere 4044R	SB2QDMBJD4075R
John Deere 4049M	SB2QDMBJD4052R
John Deere 4049R	SB2QDMBJD4075R
John Deere 4052M	SB2QDMBJD4052R
John Deere 4052R	SB2QDMBJD4075R
John Deere 4066M	SB2QDMBJD4052R
John Deere 4066R	SB2QDMBJD4075R
John Deere 4075R	SB2QDMBJD4075R
Kioti	
Kioti NX6010	SB2QDMBBOCT5558
Kubota	
Kubota L4060	SB2QDMBKUL6060
Kubota L4760	SB2QDMBKUL6060
Kubota L5460	SB2QDMBKUL6060
Kubota MX5400	SB2QDMBKUMX6000
Kubota MX6000	SB2QDMBKUMX6000
Kubota L6060	SB2QDMBKUL6060
Massey Ferguson	
Massey Ferguson 2850M	SB2QDMBMF2855M
Massey Ferguson 2855M	SB2QDMBMF2855M
Massey Ferguson 2860M	SB2QDMBMF2855M

SB3QDM Quick Attach Snow Blade Mount

The HLA Quick Attach Snow Blade Mount is securely connected to both the front and rear of your tractor. Relying on the rear of the mount, the force is pushed through the drawbar from the front of the mount providing incredible pushing strength. With parallel linkage, you can rest assured that the blade will always remain parallel to the ground whether it's raised for stacking snow or at full angle.

The quick release design relies on front and rear adapter brackets fitted to the tractor chassis. With the hydraulics connected, down pressure on the blade allows you to raise the undermount aligning it with the front bracket. Once engaged reversing the pressure raises the rear of the undermount locking it into the rear bracket.

Available for most makes, the undercarriage mount includes all hardware, hose kits and electro - hydraulic wire kit allowing for easy installation.

SB3QDM Quick Attach Snow Blade Mount	Weight	UOM	Part #	Price
SB3QDM Quick Attach Snow Blade Mount less Mount Kit	1030 lbs	ea	SB3QDMQF	\$5,187.00
SB3QDM Quick Attach Undermount Mount Kit	130 lbs	ea	see tractor listing for SB3QDMB	\$2,160.00
Optional Hydraulic Top Link Kit for SB3QDMQF	45 lbs	ea	SB3QDMHTLK	\$1,694.00
Optional Factory Blade Installation - SB3QDM		ea	SB3000IN	\$915.00



To Order And Price Blades Fitting To SB3QDM Quick Attach Snow Blade Mount

Choose desired blade part # and add mounting part #AO600, which is Price Code A.
To fit the Euro carrier



1 Power and Control

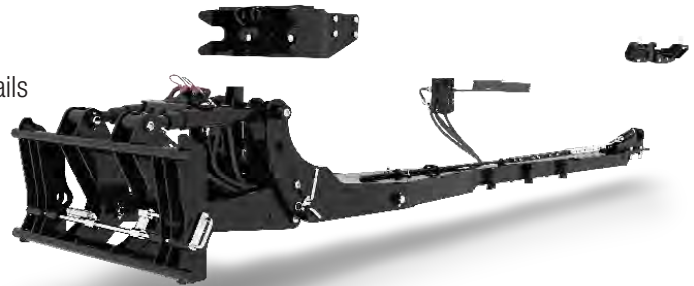
- Heavy duty parallel linkage for optimum lifting height
- AO600 Euro quick attach for attachments is standard
- Package includes all mounting hardware and hose kits
- Mount Kits available for most tractor makes, call dealer for details
- Soft ride accumulator standard

2 Parallel Vertical Lift

- Blade remains parallel to ground even at full angle and raised
- Extra height for piling snow

3 Quick Release System

- Quick Release system allows for removal of the complete mount and snowblade in minutes



SB3QDM Quick Attach Snow Blade Mount Kits	
Model #	Part #
Case IH	
Case IH Farmall 55A Tier 4B (09/18 -)	SB3QDMBCIFM75A
Case IH Farmall 65A Tier 4B (09/18 -)	SB3QDMBCIFM75A
Case IH Farmall 65C	SB3QDMBNHT475
Case IH Farmall 75A Tier 4B (09/18 -)	SB3QDMBCIFM75A

Case IH Farmall 75C	SB3QDMBNHT475
Case IH Farmall 85U	SB3QDMBNHT5040
Case IH Farmall 90C	SB3QDMBNHT4100
Case IH Farmall 95C	SB3QDMBNHT4100
Case IH Farmall 95U No Suspension	SB3QDMBNHT5040
Case IH Farmall 100C	SB3QDMBNHT4100
Case IH Farmall 105U No Suspension	SB3QDMBNHT5040
Case IH Farmall 110C	SB3QDMBNHT4100

SB3QDM Quick Attach Snow Blade Mount Kits

Case IH Farmall 110U No Suspension	SB3QDMBNHT5040
Case IH Farmall 115U No Suspension	SB3QDMBNHT5040
Case IH Farmall 120C	SB3QDMBNHT4100
Case IH Farmall 120U No Suspension	SB3QDMBNHT5040

Deutz Fahr

Deutz Fahr 5120G	SB3QDMBDF5120G
------------------	----------------

John Deere

John Deere 5045E	SB3QDMBJD5075E
John Deere 5055E	SB3QDMBJD5075E
John Deere 5065E	SB3QDMBJD5075E
John Deere 5065M iT4/FT4	SB3QDMBJD5095M
John Deere 5075E	SB3QDMBJD5075E
John Deere 5075M (iT4/FT4 -2017)	SB3QDMBJD5095M
John Deere 5075M (2018-)	SB3QDMBJD5100R
John Deere 5083E	SB3QDMBJD5525
John Deere 5085M	SB3QDMBJD5095M
John Deere 5085E	SB3QDMBJD5525
John Deere 5090E	SB3QDMBJD5525
John Deere 5090M	SB3QDMBJD5100R
John Deere 5090R	SB3QDMBJD5100R
John Deere 5093E	SB3QDMBJD5525
John Deere 5095M (-2017)	SB3QDMBJD5095M
John Deere 5095M (2018-)	SB3QDMBJD5100R
John Deere 5100M (-2017)	SB3QDMBJD5095M
John Deere 5100M (2018-)	SB3QDMBJD5100R
John Deere 5100E	SB3QDMBJD5525
John Deere 5100R	SB3QDMBJD5100R
John Deere 5101E	SB3QDMBJD5525
John Deere 5105M	SB3QDMBJD5095M
John Deere 5115M (-2017)	SB3QDMBJD5095M
John Deere 5115M (2018-)	SB3QDMBJD5100R
John Deere 5115R	SB3QDMBJD5100R
John Deere 5125R	SB3QDMBJD5100R
John Deere 5225	SB3QDMBJD5525
John Deere 5425	SB3QDMBJD5525
John Deere 5525	SB3QDMBJD5525
John Deere 5603	SB3QDMBJD5525
John Deere 5625	SB3QDMBJD5525

Kioti

Kioti HX1151	SB3QDMBKIH1151
Kioti PX1153	SB3QDMBKIPX1153
Kioti RX6010	SB3QDMBKIRX6010
Kioti RX7320	SB3QDMBKIRX6010
Kioti PX9020	SB3QDMBKIPX1153
Kioti PX9530	SB3QDMBKIPX1153

Kubota

Kubota M4D-061HDCC12	SB3QDMBKUM7040
Kubota M4D-071HDCC12	SB3QDMBKUM7040
Kubota M4-071HDCC12	SB3QDMBKUM7040
Kubota M5-091	SB3QDMBKUM5091
Kubota M5-111	SB3QDMBKUM5091
Kubota M5140	SB3QDMBKUM7040
Kubota M7040	SB3QDMBKUM7040
Kubota M7060	SB3QDMBKUM7040

Mahindra

Mahindra 105P	SB3QDMBMH105P
Mahindra 9110S (2018 & newer)	SB3QDMBMH9125P
Mahindra 9110P (2018 & newer)	SB3QDMBMH9125P

Mahindra 9125S (2018 & newer)	SB3QDMBMH9125P
Mahindra 9125P (2018 & newer)	SB3QDMBMH9125P

Massey Ferguson

MF 4607	SB3QDMBMF4609
MF 4608	SB3QDMBMF4609
MF 4609	SB3QDMBMF4609
MF 4610	SB3QDMBMF4609
MF 4707	SB3QDMBMF4710
MF 4708	SB3QDMBMF4710
MF 4709	SB3QDMBMF4710
MF 4710	SB3QDMBMF4710
MF 5609, Dyna 4 & 6	SB3QDMBMF5612
MF 5610, Dyna 4 & 6	SB3QDMBMF5612
MF 5611, Dyna 4 & 6	SB3QDMBMF5612
MF 5612, Dyna 4 & 6	SB3QDMBMF5612
MF 5613, Dyna 4 & 6	SB3QDMBMF5612
MF 5710 SL, Dyna 4 & 6	SB3QDMBMF5612
MF 5711 SL, Dyna 4 & 6	SB3QDMBMF5612
MF 5710 Global	SB3QDMBMF6713
MF 5711 Global	SB3QDMBMF6713
MF 5712 SL, Dyna 4 & 6	SB3QDMBMF5612
MF 5713 SL, Dyna 4 & 6	SB3QDMBMF5612
MF 5S.115 Dyna 4 No Suspension	SB3QDMBMF5S115
MF 5S.115 Dyna 6 No Suspension	SB3QDMBMF5S115
MF 6711 Tier 4 Engine	SB3QDMBMF6713
MF 6712 Global Tier 4 Engine	SB3QDMBMF6713
MF 6713 Global Tier 4 Engine	SB3QDMBMF6713

New Holland

New Holland Workmaster 55 Tier 4B (09/18 -)	SB3QDMBCIFM75A
New Holland Workmaster 65 Tier 4B (09/18 -)	SB3QDMBCIFM75A
New Holland Workmaster 75 Tier 4B (09/18 -)	SB3QDMBCIFM75A
New Holland Power Star 65	SB3QDMBNHT475
New Holland Power Star 75	SB3QDMBNHT475
New Holland Power Star 90	SB3QDMBNHT4100
New Holland Power Star 100	SB3QDMBNHT4100
New Holland Power Star 110	SB3QDMBNHT4100
New Holland Power Star 120	SB3QDMBNHT4100
New Holland T4.65	SB3QDMBNHT475
New Holland T4.75	SB3QDMBNHT475
New Holland T4.100	SB3QDMBNHT4100
New Holland T4.110	SB3QDMBNHT4100
New Holland T4.120	SB3QDMBNHT4100
New Holland T5.90	SB3QDMBNHT4100
New Holland T5.95	SB3QDMBNHT5040
New Holland T5.100 (up to 2018)	SB3QDMBNHT5040
New Holland T5.100 (2019 -)	SB3QDMBNHT4100
New Holland T5.105	SB3QDMBNHT5040
New Holland T5.110 Dual Command	SB3QDMBNHT4100
New Holland T5.110 Electro Command	SB3QDMBNHT5040
New Holland T5.115	SB3QDMBNHT5040
New Holland T5.120 Dual Command - Stage V	SB3QDMBNHT4100
New Holland T5.120 Dual Command - Tier 4B	SB3QDMBNHT4100
New Holland T5.120 Electro Command - Stage V	SB3QDMBNHT5040
New Holland T5.120 Electro Command - Tier 4B (11/15 - 12/17)	SB3QDMBNHT5040
New Holland T5.120 Electro Command - Tier 4B (01/18 - 01/23)	SB3QDMBNHT5040
New Holland T5040	SB3QDMBNHT5040
New Holland T5050	SB3QDMBNHT5040
New Holland T5060	SB3QDMBNHT5040
New Holland T5070	SB3QDMBNHT5040

SB4QDM Quick Attach Snow Blade Mount

The HLA Quick Attach Snow Blade Mount is securely connected to both the front and rear of your tractor. Relying on the rear of the mount, the force is pushed through the drawbar from the front of the mount providing incredible pushing strength. With parallel linkage, you can rest assured that the blade will always remain parallel to the ground whether it's raised for stacking snow or at full angle.

The quick release design relies on front and rear adapter brackets fitted to the tractor chassis. With the hydraulics connected, down pressure on the blade allows you to raise the undermount aligning it with the front bracket. Once engaged reversing the pressure raises the rear of the undermount locking it into the rear bracket.

Available for most makes, the undercarriage mount includes all hardware, hose kits and electro - hydraulic wire kit allowing for easy installation.

SB4QDM Quick Attach Snow Blade Mount	Weight	UOM	Part #	Price
SB4QDM Quick Attach Snow Blade Mount less Mount Kit	1210 lbs	ea	SB4QDMQF	\$6,780.00
SB4QDM Quick Attach Undermount Mount Kit	135 lbs	ea	see tractor listing for SB4QDMB	\$2,390.00
Optional Hydraulic Top Link Kit for SB4QDMQF	50 lbs	ea	SB4QDMHTLK	\$1,853.00
Optional Factory Blade Installation - SB4QDM		ea	SB4000IN	\$1,499.00

To Order And Price Blades Fitting To SB4QDM Quick Attach Snow Blade Mount

Choose desired blade part # and add mounting part #AO600, which is Price Code A.
To fit the Euro carrier



1 Power and Control

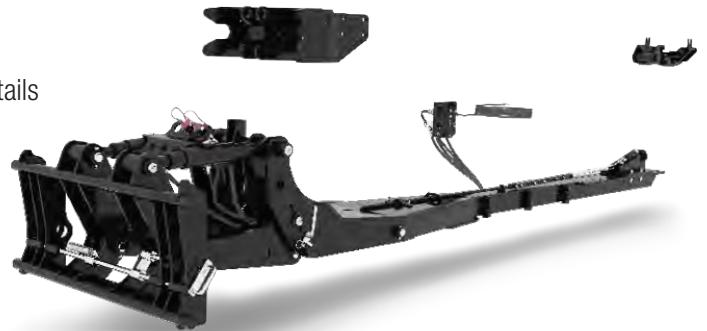
- Heavy duty parallel linkage for optimum lifting height
- AO600 Euro quick attach for attachments is standard
- Package includes all mounting hardware and hose kits
- Mount kits available for most tractor makes, call dealer for details
- Soft ride accumulator standard

2 Parallel Vertical Lift

- Blade remains parallel to ground even at full angle and raised
- Extra height for piling snow

3 Quick Release System

- Quick Release system allows for removal of the complete under mount in minutes



SB4QDM Quick Attach Snow Blade Mount Kits

SB4QDM Quick Attach Snow Blade Mount Kits	
Model #	Part #
Agco	
Agco RT120A Tier 3 Engine	SB4QDMBAGRT120AT3
Agco RT120A Tier 3 Engine, With Suspension	SB4QDMBAGRT120AT3
Agco RT140A Tier 3 Engine	SB4QDMBAGRT120AT3
Agco RT155A Tier 3 Engine	SB4QDMBAGRT120AT3
Case IH	
Case IH MXU100	SB4QDMBCIMXU125
Case IH Vestrum 100	SB4QDMBCIVE100
Case IH Farmall 105U No Suspension	SB4QDMBNHT5060
Case IH Farmall 110C	SB4QDMBNHT4120
Case IH Farmall 110U No Suspension	SB4QDMBNHT5060
Case IH Maxxum 110	SB4QDMBCIMXU125
Case IH MXU110	SB4QDMBCIMXU125
Case IH Farmall 115U No Suspension	SB4QDMBNHT5060
Case IH Maxxum 115	SB4QDMBCIMXU125
Case IH MXU115	SB4QDMBCIMXU125
Case IH Farmall 120C	SB4QDMBNHT4120
Case IH Farmall 120U No Suspension	SB4QDMBNHT5060
Case IH Maxxum 120	SB4QDMBCIMXU125
Case IH Vestrum 120	SB4QDMBCIVE100
Case IH Maxxum 125	SB4QDMBCIMXU125
Case IH MXU125 No Suspension	SB4QDMBCIMXU125
Case IH MXU125 With Suspension	SB4QDMBCIMXU125
Case IH MXU130 No Suspension	SB4QDMBCIMXU125
Case IH MXU130 With Suspension	SB4QDMBCIMXU125
Case IH Vestrum 130	SB4QDMBCIVE100
Case IH MXU135 No Suspension	SB4QDMBCIMXU125
Case IH MXU135 With Suspension	SB4QDMBCIMXU125
Case IH Maxxum 140 No Suspension	SB4QDMBCIMXU125
Case IH Maxxum 145 No Suspension	SB4QDMBCIMXU125
Case IH Maxxum 150	SB4QDMBCIMXU125
Case IH Puma 115 T3 No Suspension	SB4QDMBCIPU140
Case IH Puma 115 T3 With Suspension	SB4QDMBCIPU140
Case IH Puma 125 T3 No Suspension	SB4QDMBCIPU140
Case IH Puma 125 T3 With Suspension	SB4QDMBCIPU140
Case IH Puma 130 T3 No Suspension	SB4QDMBCIPU140
Case IH Puma 130 T3 With Suspension	SB4QDMBCIPU140
Case IH Puma 140 T3 No Suspension	SB4QDMBCIPU140
Case IH Puma 140 T3 With Suspension	SB4QDMBCIPU140
Case IH Puma 145 T3 No Suspension	SB4QDMBCIPU140
Case IH Puma 145 T3 With Suspension	SB4QDMBCIPU140
Case IH Puma 150 T4 No Suspension	SB4QDMBCIPU140
Case IH Puma 150 T4 With Suspension	SB4QDMBCIPU140
Case IH Puma 155 T3 No Suspension	SB4QDMBCIPU140
Case IH Puma 155 T3 With Suspension	SB4QDMBCIPU140
Case IH Puma 160 T4 No Suspension	SB4QDMBCIPU140
Case IH Puma 160 T4 With Suspension	SB4QDMBCIPU140
Case IH Puma 165 T3 No Suspension	SB4QDMBCIPU185
Case IH Puma 165 T3 With Suspension	SB4QDMBCIPU185
Case IH Puma 165 T4 No Suspension	SB4QDMBCIPU140
Case IH Puma 165 T4 With Suspension	SB4QDMBCIPU140
Case IH Puma 180	SB4QDMBCIPU185
Case IH Puma 185 Tier4 No Suspension	SB4QDMBCIPU185
Case IH Puma 185 Tier4 With Suspension	SB4QDMBCIPU185
Challenger	
Challenger MT455E (AUTOPOWER IV)	SB4QDMBMF6616DY6
Challenger MT465E (AUTOPOWER IV)	SB4QDMBMF6616DY6

Challenger MT475D No Suspension	SB4QDMBAGRT120AT3
Challenger MT475D with Suspension	SB4QDMBAGRT120AT3
Challenger MT485D (AUTOPOWER IV)	SB4QDMBMF6616DY6
Challenger MT485D (AUTOPOWER VI)	SB4QDMBMF6616DY6
Challenger MT485E (AUTOPOWER IV)	SB4QDMBMF6616DY6
Challenger MT485E (AUTOPOWER VI)	SB4QDMBMF6616DY6
Challenger MT495D (AUTOPOWER VI)	SB4QDMBMF6616DY6
Challenger MT515E (AUTOPOWER IV)	SB4QDMBMF6616DY6
Challenger MT525B T3 Engine,CVT, No Suspension	SB4QDMBAGRT120AT3
Challenger MT525B T3 Engine,CVT, With Suspension	SB4QDMBAGRT120AT3
Challenger MT525E (AUTOPOWER VI)	SB4QDMBMF6616DY6
Challenger MT535B T3 Engine,CVT, No Suspension	SB4QDMBAGRT120AT3
Challenger MT535B T3 Engine,CVT, With Suspension	SB4QDMBAGRT120AT3
Challenger MT535E (AUTOPOWER VI)	SB4QDMBMF6616DY6
Challenger MT545E (AUTOPOWER VI)	SB4QDMBMF6616DY6
Challenger MT555B T3 Engine,CVT, No Suspension	SB4QDMBAGRT120AT3
Challenger MT565B T3 Engine,CVT No Suspension	SB4QDMBAGRT120AT3
Challenger MT565B T3 Engine,CVT With Suspension	SB4QDMBAGRT120AT3

Deutz Fahr

Deutz Fahr 5120TTV	SB4QDMBDF5130TTV
Deutz Fahr 5130TTV	SB4QDMBDF5130TTV
Deutz Fahr 6130 TTV (Tier 4)	SB4QDMBDF6130TTVT4
Deutz Fahr 6160 TTV (Tier 4i)	SB4QDMBDF6160TTV
Deutz Fahr 6165 RC Shift (Tier 4)	SB4QDMBDF6170PS
Deutz Fahr 6170PS (Tier 5)	SB4QDMBDF6170PS

Fendt

Fendt 512 NA Gen3	SB4QDMBFT514V
Fendt 512 NA S4	SB4QDMBFT514V
Fendt 512 Vario SCR	SB4QDMBFT514V
Fendt 512 S4	SB4QDMBFT514V
Fendt 513 NA Gen3	SB4QDMBFT514V
Fendt 513 NA S4	SB4QDMBFT514V
Fendt 513 Vario SCR	SB4QDMBFT514V
Fendt 513 S4	SB4QDMBFT514V
Fendt 514 NA Gen3	SB4QDMBFT514V
Fendt 514 NA S4	SB4QDMBFT514V
Fendt 514 Vario SCR	SB4QDMBFT514V
Fendt 514 S4	SB4QDMBFT514V
Fendt 516 NA Gen3	SB4QDMBFT514V
Fendt 516 NA S4	SB4QDMBFT514V
Fendt 516 Vario SCR	SB4QDMBFT514V
Fendt 516 S4	SB4QDMBFT514V
Fendt 711	SB4QDMBFT712
Fendt 712	SB4QDMBFT712
Fendt 712NA	SB4QDMBFT712
Fendt 714	SB4QDMBFT712
Fendt 714NA	SB4QDMBFT712
Fendt 714 NA Gen6	SB4QDMBFT722NA
Fendt 714 NA S4	SB4QDMBFT722NA
Fendt 714 S4	SB4QDMBFT716VO
Fendt 716	SB4QDMBFT712
Fendt 716 S4	SB4QDMBFT716VO
Fendt 716 NA	SB4QDMBFT712
Fendt 716 NA Gen6	SB4QDMBFT722NA
Fendt 716 NA S4	SB4QDMBFT722NA
Fendt 718	SB4QDMBFT712

SB4QDM Quick Attach Snow Blade Mount Kits

Fendt 718 S4	SB4QDMBFT716VO
Fendt 718 NA	SB4QDMBFT712
Fendt 718 NA Gen6	SB4QDMBFT722NA
Fendt 718 NA S4	SB4QDMBFT722NA
Fendt 720 S4	SB4QDMBFT716VO
Fendt 720 NA Gen6	SB4QDMBFT722NA
Fendt 720 NA S4	SB4QDMBFT722NA
Fendt 722 S4	SB4QDMBFT716VO
Fendt 722 NA Gen6	SB4QDMBFT722NA
Fendt 722 NA S4	SB4QDMBFT722NA
Fendt 724 S4	SB4QDMBFT716VO
Fendt 724 NA Gen6	SB4QDMBFT722NA
Fendt 724 NA S4	SB4QDMBFT722NA
Fendt 815	SB4QDMBFT712
Fendt 815 NA	SB4QDMBFT712
Fendt 817	SB4QDMBFT712
Fendt 817 NA	SB4QDMBFT712
Fendt 818	SB4QDMBFT712
Fendt 818 NA	SB4QDMBFT712
Fendt 820	SB4QDMBFT712
Fendt 820 NA	SB4QDMBFT712

John Deere	
John Deere 5100M (-2017)	SB4QDMBJD5115M
John Deere 5100M (2018-)	SB4QDMBJD5125R
John Deere 5100R	SB4QDMBJD5125R
John Deere 5115M (-2017)	SB4QDMBJD5115M
John Deere 5115M (2018-)	SB4QDMBJD5125R
John Deere 5115R	SB4QDMBJD5125R
John Deere 5120M	SB4QDMBJD5125R
John Deere 5125R	SB4QDMBJD5125R
John Deere 5125R With Suspension	SB4QDMBJD5125R
John Deere 5130M	SB4QDMBJD5125R
John Deere All 6000 Series	SB4QDMBJD6U6000
John Deere All 6010 Series	SB4QDMBJD6U6000
John Deere All 6020 Series	SB4QDMBJD6U6000
John Deere 6100D Serial # 0 - 050000	SB4QDMBJD6130D
John Deere 6100D Serial # 050001 - end	SB4QDMBJD6130DWE
John Deere 6105D	SB4QDMBJD6130DWE
John Deere 6105E	SB4QDMBJD6130DWE
John Deere 6105M	SB4QDMBJD6U6000
John Deere 6105R	SB4QDMBJD6U6000
John Deere 6110M	SB4QDMBJD6U6000
John Deere 6110R	SB4QDMBJD6U6000
John Deere 6R 110	SB4QDMBJD6U6000
John Deere 6115D Serial # 0 - 050000	SB4QDMBJD6130D
John Deere 6115D Serial # 050001 - end	SB4QDMBJD6130DWE
John Deere 6115M	SB4QDMBJD6U6000
John Deere 6115R	SB4QDMBJD6U6000
John Deere 6120E	SB4QDMBJD6130DWE
John Deere 6120M	SB4QDMBJD6U6000
John Deere 6120R	SB4QDMBJD6U6000
John Deere 6R 120	SB4QDMBJD6U6000
John Deere 6125M	SB4QDMBJD6U6000
John Deere 6125R	SB4QDMBJD6U6000
John Deere 6130D Serial # 0 - 050000	SB4QDMBJD6130D
John Deere 6130D Serial # 050001 - end	SB4QDMBJD6130DWE
John Deere 6130M	SB4QDMBJD6U6000
John Deere 6130R	SB4QDMBJD6U6000
John Deere 6R 130	SB4QDMBJD6U6000
John Deere 6135E	SB4QDMBJD6130DWE

John Deere 6140D Serial # 0 - 050000	SB4QDMBJD6130D
John Deere 6140D Serial # 050001 - end	SB4QDMBJD6130DWE
John Deere 6140M (- MY19)	SB4QDMBJD6U6140R
John Deere 6140M (MY20)	SB4QDMBJD6U6000
John Deere 6140R	SB4QDMBJD6U6140R
John Deere 6R 140	SB4QDMBJD6U6000
John Deere 6145M	SB4QDMBJD6U6140R
John Deere 6145R	SB4QDMBJD6U6140R
John Deere 6R 145	SB4QDMBJD6U6140R
John Deere 6150M	SB4QDMBJD6U6140R
John Deere 6150R	SB4QDMBJD6U6140R
John Deere 6155R	SB4QDMBJD6U6140R
John Deere 6R 155	SB4QDMBJD6U6140R
John Deere 6R 165	SB4QDMBJD6U6140R
John Deere 6170M	SB4QDMBJD6U6170M
John Deere 6170R	SB4QDMBJD6U6170R
John Deere 6175M	SB4QDMBJD6U6170R
John Deere 6R 175	SB4QDMBJD6U6170R
John Deere 6190M	SB4QDMBJD6U6170R
John Deere 6190R	SB4QDMBJD6U6170R
John Deere 6195R	SB4QDMBJD6U6170R
John Deere 6R 195	SB4QDMBJD6U6170R
John Deere 6210M	SB4QDMBJD6U6170R
John Deere 6210R	SB4QDMBJD6U6170R
John Deere 6215R	SB4QDMBJD6U6170R
John Deere 6R 215	SB4QDMBJD6U6170R
John Deere 6415	SB4QDMBJD6U6000
John Deere 6130	SB4QDMBJD6U6000
John Deere 6230	SB4QDMBJD6U6000
John Deere 6330	SB4QDMBJD6U6000
John Deere 6430	SB4QDMBJD6U6000
John Deere 6615	SB4QDMBJD6U7130
John Deere 6715	SB4QDMBJD6U7130
John Deere 7130	SB4QDMBJD6U7130
John Deere 7210	SB4QDMBJD6U7130
John Deere 7220	SB4QDMBJD6U7130
John Deere 7230	SB4QDMBJD6U7130
John Deere 7320	SB4QDMBJD6U7130
John Deere 7330	SB4QDMBJD6U7130
John Deere 7410	SB4QDMBJD6U7130
John Deere 7420	SB4QDMBJD6U7130
John Deere 7430	SB4QDMBJD6U7130
John Deere 7510	SB4QDMBJD6U7130
John Deere 7520	SB4QDMBJD6U7130

Kubota	
Kubota M126GX No Suspension	SB4QDMBKUM126GX
Kubota M126X	SB4QDMBKUM126X
Kubota M135GX No Suspension	SB4QDMBKUM126GX
Kubota M135X	SB4QDMBKUM126X
Kubota M6 101	SB4QDMBKUM6111
Kubota M6 111	SB4QDMBKUM6111
Kubota M6 131 No Suspension	SB4QDMBKUM126GX
Kubota M6 141 No Suspension	SB4QDMBKUM126GX
Kubota M6 141 With Suspension	SB4QDMBKUM126GX
Kubota M7 131 With Suspension	SB4QDMBKUM7171
Kubota M7 132 With Suspension	SB4QDMBKUM7171
Kubota M7 134 With Suspension	SB4QDMBKUM7171
Kubota M7 151 With Suspension	SB4QDMBKUM7171
Kubota M7 152 With Suspension	SB4QDMBKUM7171
Kubota M7 154 With Suspension	SB4QDMBKUM7171

SB4QDM Quick Attach Snow Blade Mount Kits

Kubota M7 171 With Suspension	SB4QDMBKUM7171
Kubota M7 172 With Suspension	SB4QDMBKUM7171
Kubota M7 174 With Suspension	SB4QDMBKUM7171

Massey Ferguson

MF 5465 TRACTOR (TIER 3) (PERKINS)	SB4QDMBMF6616DY6
MF 5465 TRACTOR (TIER 3) (SISU)	SB4QDMBMF6616DY6
MF 5475 TRACTOR (TIER 3) (PERKINS)	SB4QDMBMF6616DY6
MF 5475 TRACTOR (TIER 3) (SISU)	SB4QDMBMF6616DY6
MF 5S.115 Dyna 4 No Suspension	SB4QDMBMF5S135
MF 5S.115 Dyna 6 No Suspension	SB4QDMBMF5S135
MF 5S.135 Dyna 4 No Suspension	SB4QDMBMF5S135
MF 5S.135 Dyna 6 No Suspension	SB4QDMBMF5S135
MF 5S.145 Dyna 4 No Suspension	SB4QDMBMF5S135
MF 5S.145 Dyna 6 No Suspension	SB4QDMBMF5S135
MF 6S.145 Dyna6 (Stage 5)	SB4QDMBMF6616DY6
MF 6S.155 Dyna6 (Stage 5)	SB4QDMBMF6616DY6
MF 6S.165 Dyna6 (Stage 5)	SB4QDMBMF6616DY6
MF 6S.180 Dyna6 (Stage 5)	SB4QDMBMF6616DY6
MF 6614 Dyna-VT No Suspension	SB4QDMBAGRT120AT3
MF 6614 Dyna-VT With Suspension	SB4QDMBAGRT120AT3
MF 6615 Dyna6	SB4QDMBMF6616DY6
MF 6615 Dyna-VT No Suspension	SB4QDMBAGRT120AT3
MF 6615 Dyna-VT With Suspension	SB4QDMBAGRT120AT3
MF 6616 Dyna-VT No Suspension	SB4QDMBAGRT120AT3
MF 6616 Dyna-VT With Suspension	SB4QDMBAGRT120AT3
MF 6616 Dyna6	SB4QDMBMF6616DY6
MF 6713S Dyna6	SB4QDMBMF6616DY6
MF 6714S Dyna6	SB4QDMBMF6616DY6
MF 6715S Dyna4	SB4QDMBMF6616DY6
MF 6715S Dyna6	SB4QDMBMF6616DY6
MF 6716S Dyna6	SB4QDMBMF6616DY6
MF 6718S Dyna6	SB4QDMBMF6616DY6
MF 7714 Dyna4	SB4QDMBMF6616DY6
MF 7714S Dyna4	SB4QDMBMF6616DY6
MF 7715 Dyna4	SB4QDMBMF6616DY6
MF 7715 Dyna6	SB4QDMBMF6616DY6
MF 7715S Dyna4	SB4QDMBMF6616DY6
MF 7715S Dyna6	SB4QDMBMF6616DY6
MF 7716 Dyna6	SB4QDMBMF6616DY6
MF 7716S Dyna6	SB4QDMBMF6616DY6
MF 7718 Dyna6	SB4QDMBMF6616DY6
MF 7718S Dyna6	SB4QDMBMF6616DY6
MF 7480 Tier 3 Engine, No Suspension	SB4QDMBAGRT120AT3
MF 7480 Tier 3 Engine, With Suspension	SB4QDMBAGRT120AT3
MF 7485 Tier 3 Engine, No Suspension	SB4QDMBAGRT120AT3
MF 7485 Tier 3 Engine, With Suspension	SB4QDMBAGRT120AT3
MF 7490 Tier 3 Engine, No Suspension	SB4QDMBAGRT120AT3
MF 7490 Tier 3 Engine, With Suspension	SB4QDMBAGRT120AT3
MF 7495 Tier 3 Engine, No Suspension	SB4QDMBAGRT120AT3
MF 7495 Tier 3 Engine, With Suspension	SB4QDMBAGRT120AT3
MF 7499 Tier 3 Engine, No Suspension	SB4QDMBAGRT120AT3
MF 7499 Tier 3 Engine, With Suspension	SB4QDMBAGRT120AT3
MF 7615 DynaVT Tier 4 Engine, No Suspension	SB4QDMBAGRT120AT3
MF 7615 DynaVT Tier 4 Engine, With Suspension	SB4QDMBAGRT120AT3
MF 7616 DynaVT Tier 4 Engine, No Suspension	SB4QDMBAGRT120AT3
MF 7616 DynaVT Tier 4 Engine, With Suspension	SB4QDMBAGRT120AT3
MF 7618 DynaVT Tier 4 Engine, No Suspension	SB4QDMBAGRT120AT3
MF 7618 DynaVT Tier 4 Engine, With Suspension	SB4QDMBAGRT120AT3
MF 7619 DynaVT Tier 4 Engine, No Suspension	SB4QDMBAGRT120AT3
MF 7619 DynaVT Tier 4 Engine, With Suspension	SB4QDMBAGRT120AT3
MF 7620 DynaVT Tier 4 Engine, No Suspension	SB4QDMBAGRT120AT3

MF 7620 DynaVT Tier 4 Engine, With Suspension	SB4QDMBAGRT120AT3
MF 7622 DynaVT Tier 4 Engine, No Suspension	SB4QDMBAGRT120AT3
MF 7622 DynaVT Tier 4 Engine, With Suspension	SB4QDMBAGRT120AT3
MF 7624 DynaVT Tier 4 Engine, No Suspension	SB4QDMBAGRT120AT3
MF 7624 DynaVT Tier 4 Engine, With Suspension	SB4QDMBAGRT120AT3
MF 7715S DynaVT, No Suspension	SB4QDMBMF7720SDVT
MF 7715S DynaVT, With Suspension	SB4QDMBMF7720SDVT
MF 7716S DynaVT, No Suspension	SB4QDMBMF7720SDVT
MF 7716S DynaVT, With Suspension	SB4QDMBMF7720SDVT
MF 7718S DynaVT, No Suspension	SB4QDMBMF7720SDVT
MF 7718S DynaVT, With Suspension	SB4QDMBMF7720SDVT
MF 7720S DynaVT, No Suspension	SB4QDMBMF7720SDVT
MF 7720S DynaVT, With Suspension	SB4QDMBMF7720SDVT
MF 7722S DynaVT, No Suspension	SB4QDMBMF7720SDVT
MF 7722S DynaVT, With Suspension	SB4QDMBMF7720SDVT
MF 7724S DynaVT, No Suspension	SB4QDMBMF7720SDVT
MF 7724S DynaVT, With Suspension	SB4QDMBMF7720SDVT
MF 7726S DynaVT, No Suspension	SB4QDMBMF7720SDVT
MF 7726S DynaVT, With Suspension	SB4QDMBMF7720SDVT

New Holland

New Holland TS100A	SB4QDMBCIMXU125
New Holland TS110A	SB4QDMBCIMXU125
New Holland Power Star 100	SB4QDMBNHT4120
New Holland Power Star 110	SB4QDMBNHT4120
New Holland Power Star 120	SB4QDMBNHT4120
New Holland TS115	SB4QDMBCIMXU125
New Holland TS115A	SB4QDMBCIMXU125
New Holland TS125A	SB4QDMBCIMXU125
New Holland TS130A	SB4QDMBCIMXU125
New Holland TS135A	SB4QDMBCIMXU125
New Holland T4.100	SB4QDMBNHT4120
New Holland T4.110	SB4QDMBNHT4120
New Holland T4.120	SB4QDMBNHT4120
New Holland T5.110 Dynamic Command Stage V	SB4QDMBCIVE100
New Holland T5.110 Auto Command Stage V	SB4QDMBCIVE100
New Holland T5.115	SB4QDMBNHT5060
New Holland T5.120 Auto Command Stage V	SB4QDMBCIVE100
New Holland T5.120 Dynamic Command Stage V	SB4QDMBCIVE100
New Holland T5.120 Dual Command - Stage V	SB4QDMBNHT4120
New Holland T5.120 Dual Command - Tier 4B	SB4QDMBNHT4120
New Holland T5.120 Electro Command - Stage V	SB4QDMBNHT5060
New Holland T5.120 Electro Command - Tier 4B (11/15 - 12/17)	SB4QDMBNHT5060
New Holland T5.120 Electro Command - Tier 4B (01/18 - 01/23)	SB4QDMBNHT5060
New Holland T5.130 Dynamic Command Stage V	SB4QDMBCIVE100
New Holland T5.130 Auto Command Stage V	SB4QDMBCIVE100
New Holland T5.140 Dynamic Command Stage V	SB4QDMBCIVE100
New Holland T5.140 Auto Command Stage V	SB4QDMBCIVE100
New Holland T5060	SB4QDMBNHT5060
New Holland T5070	SB4QDMBNHT5060
New Holland T6020 Before S/N Z7BD04136	SB4QDMBNHT6070
New Holland T6020 After S/N Z7BD04136	SB4QDMBCIMXU125
New Holland T6030 Before S/N Z7BD04136	SB4QDMBNHT6070
New Holland T6030 After S/N Z7BD04136	SB4QDMBCIMXU125
New Holland T6040 Before S/N Z7BD04136	SB4QDMBNHT6070
New Holland T6040 After S/N Z7BD04136	SB4QDMBCIMXU125
New Holland T6050 Before S/N Z7BD04136	SB4QDMBNHT6070
New Holland T6050 After S/N Z7BD04136	SB4QDMBCIMXU125

SB4QDM Quick Attach Snow Blade Mount Kits

New Holland T6070 Before S/N Z7BD04136	SB4QDMBNHT6070
New Holland T6070 After S/N Z7BD04136	SB4QDMBCIMXU125
New Holland TS6.110, Tier 4B	SB4QDMBNHTS6120
New Holland TS6.120, Tier 4B	SB4QDMBNHTS6120
New Holland TS6.130, Tier 4B	SB4QDMBNHTS6120
New Holland T6.140, No Suspension	SB4QDMBCIMXU125
New Holland T6.140, With Suspension	SB4QDMBCIMXU125
New Holland TS6.140, Tier 4B	SB4QDMBNHTS6120
New Holland T6.145, No Suspension	SB4QDMBCIMXU125
New Holland T6.145, With Suspension	SB4QDMBCIMXU125
New Holland T6.150, No Suspension	SB4QDMBCIMXU125
New Holland T6.150, With Suspension	SB4QDMBCIMXU125
New Holland T6.155, No Suspension	SB4QDMBCIMXU125
New Holland T6.155, With Suspension	SB4QDMBCIMXU125
New Holland T6.155, Tier 4B No Suspension	SB4QDMBCIMXU125
New Holland T6.155, Tier 4B With Suspension	SB4QDMBCIMXU125
New Holland T6.160, No Suspension	SB4QDMBCIMXU125
New Holland T6.160, With Suspension	SB4QDMBCIMXU125
New Holland T6.165, No Suspension	SB4QDMBCIMXU125
New Holland T6.165, With Suspension	SB4QDMBCIMXU125
New Holland T6.175, No Suspension	SB4QDMBCIMXU125
New Holland T6.175, With Suspension	SB4QDMBCIMXU125
New Holland T6.180, No Suspension	SB4QDMBCIMXU125
New Holland T6.180, With Suspension	SB4QDMBCIMXU125
New Holland T7030 No Suspension	SB4QDMBNHT7060
New Holland T7030 With Suspension	SB4QDMBNHT7060
New Holland T7040 No Suspension	SB4QDMBNHT7060
New Holland T7040 With Suspension	SB4QDMBNHT7060
New Holland T7050 No Suspension	SB4QDMBNHT7060
New Holland T7050 With Suspension	SB4QDMBNHT7060
New Holland T7060 No Suspension	SB4QDMBNHT7060
New Holland T7060 With Suspension	SB4QDMBNHT7060
New Holland T7.170 No Suspension	SB4QDMBCIPU140
New Holland T7.170 With Suspension	SB4QDMBCIPU140
New Holland T7.185 No Suspension	SB4QDMBCIPU140
New Holland T7.185 With Suspension	SB4QDMBCIPU140
New Holland T7.200 No Suspension	SB4QDMBCIPU140
New Holland T7.200 With Suspension	SB4QDMBCIPU140
New Holland T7.210 No Suspension	SB4QDMBCIPU140
New Holland T7.210 With Suspension	SB4QDMBCIPU140
New Holland T7.220 No Suspension	SB4QDMBNHT7060
New Holland T7.220 With Suspension	SB4QDMBNHT7060
New Holland T7.230 No Suspension	SB4QDMBNHT7060
New Holland T7.230 With Suspension	SB4QDMBNHT7060
New Holland T7.235 No Suspension	SB4QDMBNHT7060
New Holland T7.235 With Suspension	SB4QDMBNHT7060
New Holland T7.245 No Suspension	SB4QDMBNHT7060
New Holland T7.245 With Suspension	SB4QDMBNHT7060
New Holland T7.250 No Suspension	SB4QDMBNHT7060
New Holland T7.250 With Suspension	SB4QDMBNHT7060
New Holland T7.260 No Suspension	SB4QDMBNHT7060
New Holland T7.260 With Suspension	SB4QDMBNHT7060
New Holland T7.270 No Suspension	SB4QDMBNHT7060
New Holland T7.270 With Suspension	SB4QDMBNHT7060

SB5QDM Quick Attach Snow Blade Mount

The HLA Quick Attach Snow Blade Mount is securely connected to both the front and rear of your tractor. Relying on the rear of the mount, the force is pushed through the drawbar from the front of the mount providing incredible pushing strength. With parallel linkage, you can rest assured that the blade will always remain parallel to the ground whether it's raised for stacking snow or at full angle.

The quick release design relies on front and rear adapter brackets fitted to the tractor chassis. With the hydraulics connected, down pressure on the blade allows you to raise the undermount aligning it with the front bracket. Once engaged reversing the pressure raises the rear of the undermount locking it into the rear bracket.

Available for most makes, the undercarriage mount includes all hardware, hose kits and electro - hydraulic wire kit allowing for easy installation.

SB5QDM Quick Attach Snow Blade Mount	Weight	UOM	Part #	Price
SB5QDM Quick Attach Snow Blade Mount less Mount Kit	1500 lbs	ea	SB5QDMQF	\$8,373.00
SB5QDM Quick Attach Undermount Mount Kit	Variable	ea	see tractor listing	\$3,186.00
Optional Hydraulic Top Link Kit for SB5QDMQF	55 lbs	ea	SB5QDMHTLK	\$2,012.00
Optional Factory Blade Installation - SB5QDM		ea	SB5000IN	\$1,593.00

To Order And Price Blades Fitting To SB5QDM Quick Attach Snow Blade Mount

Choose desired blade part # and add mounting part #JRB416, which is Price Code D + \$531.00
Specify if connecting to midmount valve or rear remotes.



1 Power and Control

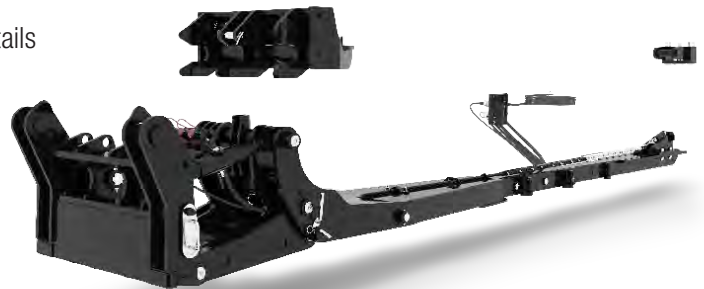
- Heavy duty parallel linkage for optimum lifting height
- JRB416 industrial mount for attachments is standard
- Package includes all mounting hardware and hose kits
- Mount Kits available for most tractor makes, call dealer for details
- Soft ride accumulator standard

2 Parallel Vertical Lift

- Blade remains parallel to ground even at full angle and raised
- Extra height for piling snow

3 Quick Release System

- Quick Release system allows for removal of the complete under mount in minutes



SB5QDM Quick Attach Snow Blade Mount Kits

SB5QDM Quick Attach Snow Blade Mount Kits	
Model #	Part #
Case IH	
Case IH Magnum 230 With Cat 3 Drawbar	SB5QDMBCIMA260C3
Case IH Magnum 230 With Cat 4 Drawbar	SB5QDMBCIMA260C4
Case IH Magnum 250 With Cat 3 Drawbar	SB5QDMBCIMA260C3
Case IH Magnum 250 With Cat 4 Drawbar	SB5QDMBCIMA260C4
Case IH Magnum 260 With Cat 3 Drawbar	SB5QDMBCIMA260C3
Case IH Magnum 260 With Cat 4 Drawbar	SB5QDMBCIMA260C4
Case IH Magnum 290 With Cat 3 Drawbar	SB5QDMBCIMA260C3
Case IH Magnum 290 With Cat 4 Drawbar	SB5QDMBCIMA260C4
Case IH Magnum 315 With Cat 3 Drawbar	SB5QDMBCIMA260C3
Case IH Magnum 315 With Cat 4 Drawbar	SB5QDMBCIMA260C4
Case IH Magnum 340 With Cat 3 Drawbar	SB5QDMBCIMA260C3
Case IH Magnum 340 With Cat 4 Drawbar	SB5QDMBCIMA260C4
Challenger	
Challenger MT645C With Suspension w/ Cat 4 Drawbar	SB5QDMBMF8680SC4
Challenger MT645D With Suspension w/ Cat 4 Drawbar	SB5QDMBMF8680SC4
Challenger MT655C With Suspension w/ Cat 4 Drawbar	SB5QDMBMF8680SC4
Challenger MT655D With Suspension w/ Cat 4 Drawbar	SB5QDMBMF8680SC4
Challenger MT665C With Suspension w/ Cat 4 Drawbar	SB5QDMBMF8680SC4
Challenger MT665D With Suspension w/ Cat 4 Drawbar	SB5QDMBMF8680SC4
Challenger MT675C With Suspension w/ Cat 4 Drawbar	SB5QDMBMF8680SC4
Challenger MT675D With Suspension w/ Cat 4 Drawbar	SB5QDMBMF8680SC4
Challenger MT685C With Suspension w/ Cat 4 Drawbar	SB5QDMBMF8680SC4
Challenger MT685D With Suspension w/ Cat 4 Drawbar	SB5QDMBMF8680SC4
Fendt	
Fendt 822 S4	SB5QDMBFT824S4
Fendt 822 NA S4	SB5QDMBFT824S4
Fendt 824 S4	SB5QDMBFT824S4
Fendt 824 NA S4	SB5QDMBFT824S4
Fendt 826 S4	SB5QDMBFT824S4
Fendt 826 NA S4	SB5QDMBFT824S4
Fendt 828 S4	SB5QDMBFT824S4
Fendt 828 NA S4	SB5QDMBFT824S4
Fendt 927NA S4	SB5QDMBFT1050
Fendt 930NA S4	SB5QDMBFT1050
Fendt 930NA GEN6	SB5QDMBFT1050
Fendt 930NA GEN7	SB5QDMBFT1050
Fendt 933NA S4	SB5QDMBFT1050
Fendt 933NA GEN6	SB5QDMBFT1050
Fendt 933NA GEN7	SB5QDMBFT1050
Fendt 936NA S4	SB5QDMBFT1050
Fendt 936NA GEN6	SB5QDMBFT1050
Fendt 936NA GEN7	SB5QDMBFT1050
Fendt 939NA GEN6	SB5QDMBFT1050
Fendt 939NA GEN7	SB5QDMBFT1050
Fendt 942NA GEN6	SB5QDMBFT1050
Fendt 942NA GEN7	SB5QDMBFT1050
Fendt 1038NA GEN2	SB5QDMBFT1050
Fendt 1038NA GEN3	SB5QDMBFT1050
Fendt 1038NA S4	SB5QDMBFT1050
Fendt 1042NA GEN2	SB5QDMBFT1050

Fendt 1042NA GEN3	SB5QDMBFT1050
Fendt 1042NA S4	SB5QDMBFT1050
Fendt 1046NA GEN2	SB5QDMBFT1050
Fendt 1046NA GEN3	SB5QDMBFT1050
Fendt 1046NA S4	SB5QDMBFT1050
Fendt 1050NA GEN2	SB5QDMBFT1050
Fendt 1050NA GEN3	SB5QDMBFT1050
Fendt 1050NA S4	SB5QDMBFT1050

John Deere	
John Deere 7200R	SB5QDMBJD7R230
John Deere 7210R	SB5QDMBJD7R230
John Deere 7215R	SB5QDMBJD7R230
John Deere 7230R	SB5QDMBJD7R230
John Deere 7250R	SB5QDMBJD7R230
John Deere 7260R	SB5QDMBJD7R230
John Deere 7270R	SB5QDMBJD7R230
John Deere 7280R	SB5QDMBJD7R230
John Deere 7290R	SB5QDMBJD7R230
John Deere 7310R	SB5QDMBJD7R230
John Deere 7R 210	SB5QDMBJD7R230
John Deere 7R 230	SB5QDMBJD7R230
John Deere 7R 250	SB5QDMBJD7R230
John Deere 7R 270	SB5QDMBJD7R230
John Deere 7R 290	SB5QDMBJD7R230
John Deere 7R 310	SB5QDMBJD7R230
John Deere 7R 330	SB5QDMBJD7R230
John Deere 7R 350	SB5QDMBJD7R230
John Deere 7630	SB5QDMBJD7920
John Deere 7720	SB5QDMBJD7920
John Deere 7730	SB5QDMBJD7920
John Deere 7820	SB5QDMBJD7920
John Deere 7830	SB5QDMBJD7920
John Deere 7920	SB5QDMBJD7920
John Deere 7930	SB5QDMBJD7920
John Deere 8000 Series	SB5QDMBJD8000
John Deere 8010 Series	SB5QDMBJD8000
John Deere 8020 Series	SB5QDMBJD8000
John Deere 8030 Series	SB5QDMBJD8030
John Deere 8225R	SB5QDMBJD8030
John Deere 8235R	SB5QDMBJD8030
John Deere 8245R Tier 3	SB5QDMBJD8030
John Deere 8245R Tier 4B	SB5QDMBJD8030
John Deere 8260R	SB5QDMBJD8030
John Deere 8270R Tier 3	SB5QDMBJD8030
John Deere 8270R Tier 4B	SB5QDMBJD8030
John Deere 8285R	SB5QDMBJD8030
John Deere 8295R Tier 3	SB5QDMBJD8030
John Deere 8295R Tier 4B	SB5QDMBJD8030
John Deere 8310R	SB5QDMBJD8030
John Deere 8320R Tier 3	SB5QDMBJD8030
John Deere 8320R Tier 4B	SB5QDMBJD8030
John Deere 8335R	SB5QDMBJD8030
John Deere 8345R Tier 3	SB5QDMBJD8030
John Deere 8345R Tier 4B	SB5QDMBJD8030
John Deere 8360R	SB5QDMBJD8030
John Deere 8370R	SB5QDMBJD8030

SB5QDM Quick Attach Snow Blade Mount Kits

Kubota	
Kubota M7-152	SB5QDMBKUM7171
Kubota M7-154	SB5QDMBKUM7171
Kubota M7-171	SB5QDMBKUM7171
Kubota M7-172	SB5QDMBKUM7171
Kubota M7-174	SB5QDMBKUM7171
Kubota M8-181	SB5QDMBKUM8201
Kubota M8-201	SB5QDMBKUM8201

Massey Ferguson	
MF 8650 With Suspension w/ Cat 4 Drawbar	SB5QDMBMF8680SC4
MF 8660 With Suspension w/ Cat 4 Drawbar	SB5QDMBMF8680SC4
MF 8670 With Suspension w/ Cat 4 Drawbar	SB5QDMBMF8680SC4
MF 8680 With Suspension w/ Cat 4 Drawbar	SB5QDMBMF8680SC4
MF 8690 With Suspension w/ Cat 4 Drawbar	SB5QDMBMF8680SC4

New Holland	
New Holland T8.275 With Cat 3 Drawbar	SB5QDMBNHT8390C3
New Holland T8.275 With Cat 4 Drawbar	SB5QDMBNHT8390C4
New Holland T8.300 With Cat 3 Drawbar	SB5QDMBNHT8390C3
New Holland T8.300 With Cat 4 Drawbar	SB5QDMBNHT8390C4
New Holland T8.330 With Cat 3 Drawbar	SB5QDMBNHT8390C3
New Holland T8.330 With Cat 4 Drawbar	SB5QDMBNHT8390C4
New Holland T8.360 With Cat 3 Drawbar	SB5QDMBNHT8390C3
New Holland T8.360 With Cat 4 Drawbar	SB5QDMBNHT8390C4
New Holland T8.390 With Cat 3 Drawbar	SB5QDMBNHT8390C3
New Holland T8.390 With Cat 4 Drawbar	SB5QDMBNHT8390C4

Versatile	
Versatile Nemesis 175	SB5QDMBKUM8201
Versatile Nemesis 195	SB5QDMBKUM8201
Versatile Nemesis 210	SB5QDMBKUM8201

Undercarriage Mounts for Older Tractors

The HLA Undercarriage Mount is securely connected to both the front and rear of your tractor. Relying on the rear of the mount, the force is pushed through the drawbar from the front of the mount providing incredible pushing strength. With parallel linkage, you can rest assured that the blade will always remain parallel to the ground whether it's raised for stacking snow or at full angle.

Available for most makes, the undercarriage mount includes all hardware and hose kits allowing for easy installation.

1 Power and Control

- Heavy duty parallel linkage for optimum lifting height
- AO600 Euro quick attach for attachments is standard on 3000 & 4000 series
- JRB416 industrial mount quick fit plate for attachments is standard on 5000 series
- Package includes all mounting hardware and hose kits
- Mounts available for most makes, call dealer for details
- Soft ride accumulator standard feature on 3000/4000 & 5000 series

3000 Series Snow Blade Mounts	Weight	UOM	Part #	Price
3000 Series Snow Blade Mount	800 lbs	ea	SB3000DM	\$7,347.00
Optional Factory Blade Installation - SB3000DM		ea	SB3000IN	\$915.00

4000 Series Snow Blade Mounts	Weight	UOM	Part #	Price
4000 Series Snow Blade Mount	1020 lbs	ea	SB4000DM	\$9,170.00
Optional Factory Blade Installation - SB4000DM		ea	SB4000IN	\$1,499.00

To order and price blades fitting to 3000 & 4000 Series under mount:
 Choose desired blade part # and add mounting part #AO600, which is Price Code A.
 To fit the Euro carrier
 Specify if connecting to midmount valve or rear remotes

5000 Series Snow Blade Mounts	Weight	UOM	Part #	Price
5000 Series Snow Blade Mount	1860 lbs	ea	SB5000DM	\$11,559.00
Optional Factory Blade Installation - SB5000DM		ea	SB5000IN	\$1,593.00

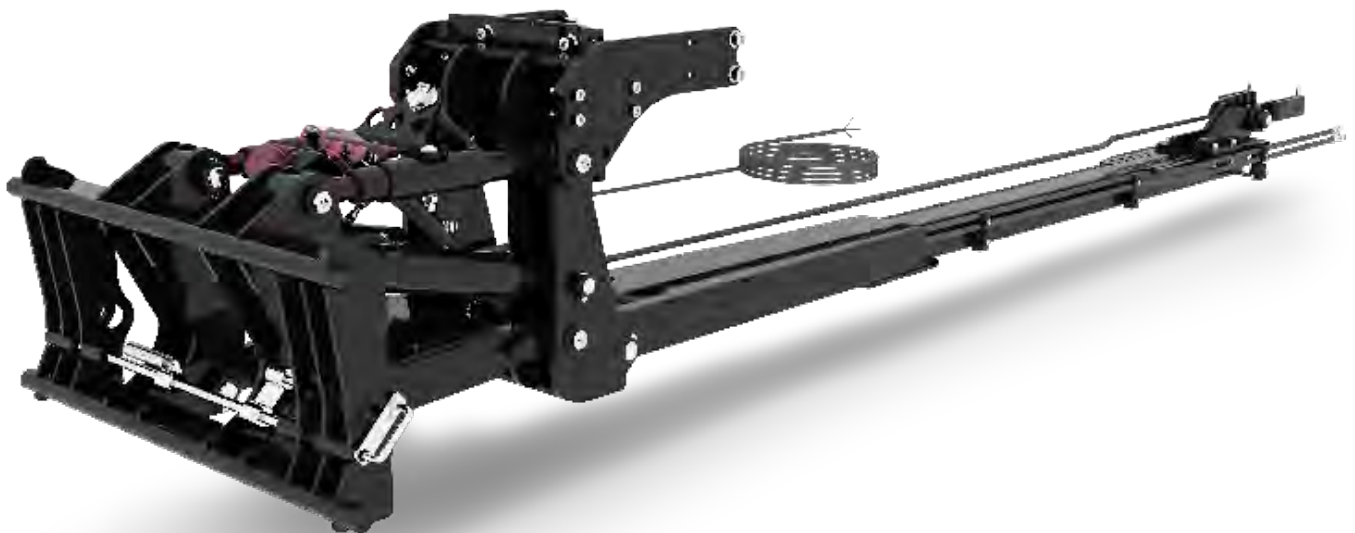
To order and price blades fitting to 5000 Series under mount:
 Choose desired blade part # and add mounting part #JRB416, which is Price Code D + \$531.00
 Specify if connecting to midmount valve or rear remotes

2 Parallel Vertical Lift

- Blade remains parallel to ground even at full angle and raised
- Extra height for piling snow

Example: For a 12 ft 4000 Series blade to fit JD 7210
 Blade part# SB400012AO600
 Under mount part # SB4000DMJD7210

Factory blade installation available when tractor supplied



Undercarriage Order Mounting Codes

3000 Series Blade Mounts	
Model #	Part #
Agco	
Agco LT85A Tier 3 Engine, No Suspension	SB3000DMMF5425T3
Case IH	
Case IH Farmall 70	SB3000DMCIFM95
Case IH JX75	SB3000DMCIJX75
Case IH Farmall 80	SB3000DMCIFM95
Case IH JX80	SB3000DMCIJX75
Case IH JX85	SB3000DMCIJX75
Case IH Farmall 85C Tier 4	SB3000DMNHT495
Case IH Farmall 90	SB3000DMCIFM95
Case IH JX95	SB3000DMCIJX75
Case IH Farmall 95	SB3000DMCIFM95
Case IH JX100U	SB3000DMNHTL90
Case IH Farmall 110A	SB3000DMCIFM120A
Case IH Farmall 115C	SB3000DMNHT495
Case IH Farmall 120A	SB3000DMCIFM120A
Case IH JX1095C	SB3000DMNHTN60D
Case IH JX1100U	SB3000DMCIJX1100U
Challenger	
Challenger MT465B, No Suspension	SB3000DMMF5425T3
John Deere	
John Deere 4720	SB3000DMJD4320
John Deere 5075GN	SB3000DMJD5075GN
John Deere 5300	SB3000DMJD5300
John Deere 5420	SB3000DMJD5300
Kubota	
Kubota L4850	SB3000DMKUL4850
Kubota M6800	SB3000DMKUM9540
Kubota M7040 Narrow	SB3000DMKUM7040N
Kubota M8540 Narrow	SB3000DMKUM9540
Kubota 8560	SB3000DMKUM9540
Kubota 9960	SB3000DMKUM9540
LS (Leading Solutions)	
LS U5030	SB3000DMLSU5030
LS XU5055	SB3000DMLSXU5055
LS XU5065	SB3000DMLSXU5055
Massey Ferguson	
MF 2670	SB3000DMMF2670
MF 2680	SB3000DMMF2670
MF 3435F	SB3000DMMF3435
MF 3435GE	SB3000DMMF3435
MF 3435S	SB3000DMMF3435
MF 3635	SB3000DMMF3645
MF 3645	SB3000DMMF3645
MF 5425 Tier 3 Engine, No Suspension	SB3000DMMF5425T3
MF 5445 Tier 3 Engine, VISI Cab, No Suspension	SB3000DMMF5425VT3
MF 5445 Tier 3 Engine, No Suspension	SB3000DMMF5425T3
MF 5455 Tier 3 Engine, VISI Cab, No Suspension	SB3000DMMF5425VT3
MF 5455 Tier 3 Engine, No Suspension	SB3000DMMF5425T3
McCormick	
McCormick CX90	SB3000DMMCCX105
McCormick CX95	SB3000DMMCCX105
McCormick CX105	SB3000DMMCCX105

McCormick X5.40	SB3000DMMCCX5040
McCormick X5.50	SB3000DMMCCX5040
McCormick X50.30	SB3000DMMCCX5040
McCormick X50.40	SB3000DMMCCX5040
McCormick X50.50	SB3000DMMCCX5040
McCormick X60.40	SB3000DMMCCX6040

New Holland	
New Holland TN60DA	SB3000DMNHTN60D
New Holland TN75D	SB3000DMNHTN60D
New Holland TN75DA	SB3000DMNHTN60D
New Holland TN85DA	SB3000DMNHTN60D
New Holland TL90	SB3000DMNHTL90
New Holland TL90A	SB3000DMCIJX1100U
New Holland TS100	SB3000DMNHTS100
New Holland TS110	SB3000DMNHTS100
New Holland T4030 Deluxe	SB3000DMNHTN60D
New Holland T4040 Deluxe	SB3000DMNHTN60D
New Holland T4050 Deluxe	SB3000DMNHTN60D
New Holland T4.95	SB3000DMNHT495
New Holland T4.95 V	SB3000DMNHT4050V
New Holland T4050 V	SB3000DMNHT4050V
New Holland 4060 Boomer	SB3000DMNHT4060
New Holland TD5030	SB3000DMCIFM95
New Holland TD5050	SB3000DMCIFM95

4000 Series Blade Mounts	
Model #	Part #
Agco	
Agco LT85A Tier 3 Engine, No Suspension	SB4000DMMF5455T3
Agco LT90	SB4000DMAGLT90
Agco LT95A Tier 3 Engine, No Suspension	SB4000DMMF5455T3
Agco RT130	SB4000DMAGRT130
Agco 9435	SB4000DMAG9435

Case IH	
Case IH JX75	SB4000DMCIJX75
Case IH JX100U	SB4000DMNHTL90
Case IH MX100	SB4000DMCIMX120
Case IH Farmall 105U	SB4000DMNHT5060
Case IH MX110	SB4000DMCIMX120
Case IH MX110C	SB4000DMCIMX100C
Case IH Farmall 115U	SB4000DMNHT5060
Case IH Farmall 120A	SB4000DMCIFM120A
Case IH MX120	SB4000DMCIMX120
Case IH Farmall 125A	SB4000DMCIFM120A
Case IH MXM130	SB4000DMNHTM155
Case IH MX135	SB4000DMCIMX120
Case IH Farmall 140A MY 2014 and older	SB4000DMCIFM120A
Case IH MXM175	SB4000DMNHTM190
Case IH JX1100U	SB4000DMCIJX1100U
Case IH 2096	SB4000DMCI2096
Case IH 4240	SB4000DMCI4240
Case IH 5240	SB4000DMCI5240
Case IH 7110	SB4000DMCI7120
Case IH 7120	SB4000DMCI7120
Case IH 7220	SB4000DMCI7120
Case IH 7230	SB4000DMCI7120
Case IH 8930	SB4000DMCI7120

Challenger	
Challenger MT445B No Suspension	SB4000DMMF5455T3

Undercarriage Order Mounting Codes

Challenger MT465E AUTOPOWER VI, No Suspension	SB4000DMMF5465T3
Challenger MT465E AUTOPOWER VI, With Suspension	SB4000DMMF5465T3S
Challenger MT475B T3 Engine With Suspension	SB4000DMMF5455T3
Challenger MT475E AUTOPOWER IV, No Suspension	SB4000DMMF5465T3
Challenger MT475E AUTOPOWER IV, With Suspension	SB4000DMMF5465T3S
Challenger MT475E AUTOPOWER VI, No Suspension	SB4000DMMF5465T3
Challenger MT475E AUTOPOWER VI, With Suspension	SB4000DMMF5465T3S
Challenger MT525E AUTOPOWER IV, No Suspension	SB4000DMMF5465T3
Challenger MT525E AUTOPOWER IV, With Suspension	SB4000DMMF5465T3S
Challenger MT545E AUTOPOWER VI, No Suspension	SB4000DMMF5465T3
Challenger MT545E AUTOPOWER VI, With Suspension	SB4000DMMF5465T3S

Fendt	
Fendt 410	SB4000DMFT410
Fendt 716 (2011 & Older)	SB4000DMFT716

John Deere	
John Deere 2955	SB4000DMJD2955
John Deere 3055	SB4000DMJD2955
John Deere 3155	SB4000DMJD2955
John Deere 3255	SB4000DMJD2955
John Deere 4250	SB4000DMJD4455
John Deere 4455	SB4000DMJD4455
John Deere 4650	SB4000DMJD4960
John Deere 4755	SB4000DMJD4955
John Deere 4850	SB4000DMJD4850
John Deere 4955	SB4000DMJD4955
John Deere 4960	SB4000DMJD4960
John Deere 7610	SB4000DMJD6U7610
John Deere 7700	SB4000DMJD6U7610
John Deere 7710	SB4000DMJD6U7610
John Deere 7800	SB4000DMJD6U7610
John Deere 7810	SB4000DMJD6U7610

Kubota	
Kubota M95S	SB4000DMKUM105
Kubota M95X	SB4000DMKUM108X
Kubota M96S 2007 - Current	SB4000DMKUM108X
Kubota M96SDSC	SB4000DMKUM96SDSC
Kubota M100GXDTX	SB4000DMKUM100X
Kubota M100X	SB4000DMKUM100X
Kubota M105S	SB4000DMKUM105
Kubota M105X	SB4000DMKUM105
Kubota M108SDSC	SB4000DMKUM96SDSC
Kubota M108X 2008 Model	SB4000DMKUM108X
Kubota M110	SB4000DMKUM110
Kubota M110GXDTX	SB4000DMKUM100X
Kubota M110X	SB4000DMKUM100X
Kubota M120	SB4000DMKUM110
Kubota M125X	SB4000DMKUM110
Kubota M135GX With Suspension	SB4000DMKUM135GXSP
Kubota M135X With Suspension	SB4000DMKUM135XSP
Kubota M8200	SB4000DMKUM9540
Kubota M8540	SB4000DMKUM9540
Kubota 8560	SB4000DMKUM9540
Kubota M9000	SB4000DMKUM9540

Kubota M9540	SB4000DMKUM9540
Kubota 9960	SB4000DMKUM9540

Landini	
Landini Blizzard 85	SB4000DMLABL85
Landini Landpower 125TDI	SB4000DMLALP145TDI
Landini Landpower 145TDI	SB4000DMLALP145TDI
Landini Landpower 165TDI	SB4000DMLALP145TDI

McCormick	
McCormick MC100	SB4000DMCIMX100C
McCormick MC120	SB4000DMMC120
McCormick MTX120	SB4000DMCIMX120
McCormick MTX135	SB4000DMCIMX120
McCormick MTX145	SB4000DMCIMX120
McCormick MTX150	SB4000DMCIMX120

Massey Ferguson	
MF 5435 Tier 3 Engine, VISI CAB, No Suspension	SB4000DMMF5445VT3
MF 5435 Tier 3 Engine, No Suspension	SB4000DMMF5455T3
MF 5445 Tier 3 Engine, VISI CAB, No Suspension	SB4000DMMF5445VT3
MF 5445 Tier 3 Engine, No Suspension	SB4000DMMF5455T3
MF 5455 Tier 3 Engine, VISI CAB, No Suspension	SB4000DMMF5445VT3
MF 5455 Tier 3 Engine, No Suspension	SB4000DMMF5455T3
MF 5460 Not for Tier 3 engines	SB4000DMMF5470
MF 5460 Tier 3 Engine, No Suspension	SB4000DMMF5455T3
MF 5470 Not for Tier 3 engines	SB4000DMMF5470
MF 5470 Tier 3 Engine, No Suspension	SB4000DMMF5455T3
MF 5480 Tier 3 Engine, No Suspension	SB4000DMMF5455T3
MF 6255 Not for Tier 3 engines	SB4000DMMF6255
MF 6265 Not for Tier 3 engines	SB4000DMMF6255
MF 6270 Not for Tier 3 engines	SB4000DMMF6255
MF 6280 Not for Tier 3 engines	SB4000DMMF6255
MF 6290 Not for Tier 3 engines	SB4000DMMF6255
MF 6465 Not for Tier 3 engines	SB4000DMMF6255
MF 6475 Not for Tier 3 engines	SB4000DMMF6255
MF 6480 Not for Tier 3 engines	SB4000DMMF6255
MF 6485 Not for Tier 3 engines	SB4000DMMF6255
MF 6490 Not for Tier 3 engines	SB4000DMMF6255
MF 6485 Tier 3 Engine, No Suspension	SB4000DMMF6485
MF 6485 Tier 3 Engine, With Suspension	SB4000DMMF6485S
MF 6490 Tier 3 Engine, No Suspension	SB4000DMMF6485
MF 6490 Tier 3 Engine, With Suspension	SB4000DMMF6485S
MF 6495 Tier 3 Engine, No Suspension	SB4000DMMF6485
MF 6495 Tier 3 Engine, With Suspension	SB4000DMMF6485S
MF 6497 Tier 3 Engine, No Suspension	SB4000DMMF6485
MF 6497 Tier 3 Engine, With Suspension	SB4000DMMF6485S
MF 6499 Tier 3 Engine, No Suspension	SB4000DMMF6485
MF 6499 Tier 3 Engine, With Suspension	SB4000DMMF6485S
MF 6615 Dyna6, No Suspension	SB4000DMMF5465T3
MF 6615 Dyna6, With Suspension	SB4000DMMF5465T3S
MF 6616 Dyna6, No Suspension	SB4000DMMF5465T3
MF 6616 Dyna6, With Suspension	SB4000DMMF5465T3S
MF 6712S Dyna4, No Suspension	SB4000DMMF5465T3
MF 6712S Dyna4, With Suspension	SB4000DMMF5465T3S
MF 6715S Dyna4, No Suspension	SB4000DMMF5465T3
MF 6715S Dyna4, With Suspension	SB4000DMMF5465T3S
MF 7465 Not for Tier 3 engines	SB4000DMMF6255
MF 7475 Not for Tier 3 engines	SB4000DMMF6255
MF 7480 Not for Tier 3 engines	SB4000DMMF6255

Undercarriage Order Mounting Codes

MF 7485 Not for Tier 3 engines	SB4000DMMF6255
MF 7490 Not for Tier 3 engines	SB4000DMMF6255
MF 7495 Not for Tier 3 engines	SB4000DMMF6255
MF 7619 Dyna6 Tier 4 Engine, No Suspension	SB4000DMMF6485
MF 7619 Dyna6 Tier 4 Engine, With Suspension	SB4000DMMF6485S
MF 7620 Dyna6 Tier 4 Engine, No Suspension	SB4000DMMF6485
MF 7620 Dyna6 Tier 4 Engine, With Suspension	SB4000DMMF6485S
MF 7622 Dyna6 Tier 4 Engine, No Suspension	SB4000DMMF6485
MF 7622 Dyna6 Tier 4 Engine, With Suspension	SB4000DMMF6485S
MF 7624 Dyna6 Tier 4 Engine, No Suspension	SB4000DMMF6485
MF 7624 Dyna6 Tier 4 Engine, With Suspension	SB4000DMMF6485S
MF 7626 Dyna6 Tier 4 Engine, No Suspension	SB4000DMMF6485
MF 7626 Dyna6 Tier 4 Engine, With Suspension	SB4000DMMF6485S
MF 8220	SB4000DMMF8250
MF 8250	SB4000DMMF8250

New Holland

New Holland TL90	SB4000DMNHTL90
New Holland TL90A	SB4000DMCIJX1100U
New Holland TS100	SB4000DMNHTS110
New Holland TS110	SB4000DMNHTS110
New Holland TM120	SB4000DMNHTM155
New Holland TM125	SB4000DMNHTM155
New Holland TM155	SB4000DMNHTM155
New Holland TS6.110, Tier 3	SB4000DMNHTS6140
New Holland TS6.120, Tier 3	SB4000DMNHTS6140
New Holland TS6.125, Tier 3	SB4000DMNHTS6140
New Holland TS6.140, Tier 3	SB4000DMNHTS6140
New Holland 7740	SB4000DMNH7740
New Holland 8160	SB4000DMNH8160
New Holland 8260	SB4000DMNH8160
New Holland 8360	SB4000DMNH8160
New Holland 8560	SB4000DMNH8160
New Holland TV145 (Engine end)	SB4000DMNHTV145
New Holland TV6070 (Engine end)	SB4000DMNHTV145
New Holland 9030 (Engine end)	SB4000DMNH9030

Valtra

Valtra N101	SB4000DMVAN101
Valtra N111	SB4000DMVAN101
Valtra M130	SB4000DMVAM130

5000 Series Blade Mounts

Model #	Part #
Case IH	
Case IH Puma 170 No Suspension	SB5000DMCIPU195
Case IH Puma 170 With Suspension	SB5000DMCIPU195
Case IH MXM175 No Suspension	SB5000DMNHTM190
Case IH Magnum 180 No Suspension	SB5000DMCIMA180
Case IH Magnum 180 With Suspension	SB5000DMCIMA180S
Case IH MX180 No Suspension	SB5000DMCIMX210
Case IH Puma 185 Tier4 No Suspension	SB5000DMCIPU195
Case IH Magnum 190 No Suspension	SB5000DMCIMA180
Case IH Magnum 190 With Suspension	SB5000DMCIMA180S
Case IH Puma 195 No Suspension	SB5000DMCIPU195
Case IH Puma 195 With Suspension	SB5000DMCIPU195
Case IH MX200 No Suspension	SB5000DMCIMX210
Case IH Magnum 200 No Suspension	SB5000DMCIMA180
Case IH Magnum 200 With Suspension	SB5000DMCIMA180S
Case IH Magnum 210 No Suspension	SB5000DMCIMA180
Case IH Magnum 210 With Suspension	SB5000DMCIMA180S

Case IH Magnum 220 No Suspension	SB5000DMCIMA180
Case IH Magnum 220 With Suspension	SB5000DMCIMA180S
Case IH Magnum 240 No Suspension	SB5000DMCIMA180
Case IH Magnum 240 With Suspension	SB5000DMCIMA180S
Case IH MX210 No Suspension	SB5000DMCIMX210
Case IH Puma 210 No Suspension	SB5000DMCIPU195
Case IH Puma 210 With Suspension	SB5000DMCIPU195
Case IH Puma 215 No Suspension	SB5000DMCIPU195
Case IH Puma 215 With Suspension	SB5000DMCIPU195
Case IH MX 215 No Suspension	SB5000DMCIMA215
Case IH MX 215 With Suspension	SB5000DMCIMA215S
Case IH Magnum 215 No Suspension	SB5000DMCIMA215
Case IH Magnum 215 With Suspension	SB5000DMCIMA215S
Case IH MX220 No Suspension	SB5000DMCIMX210
Case IH Puma 225 No Suspension	SB5000DMCIPU195
Case IH Puma 225 With Suspension	SB5000DMCIPU195
Case IH Magnum 225 No Suspension	SB5000DMCIMA180
Case IH Magnum 225 With Suspension	SB5000DMCIMA180S
Case IH Puma 230 No Suspension	SB5000DMCIPU195
Case IH Puma 230 With Suspension	SB5000DMCIPU195
Case IH MX230 No Suspension	SB5000DMCIMX210
Case IH MX240 No Suspension	SB5000DMCIMX210
Case IH MX245 No Suspension	SB5000DMCIMA215
Case IH MX245 With Suspension	SB5000DMCIMA215S
Case IH Magnum 245 No Suspension	SB5000DMCIMA215
Case IH Magnum 245 With Suspension	SB5000DMCIMA215S
Case IH MX255 No Suspension	SB5000DMCIMX210
Case IH MX 270 No Suspension	SB5000DMCIMX210
Case IH Magnum 275 No Suspension	SB5000DMCIMA215
Case IH MX275 No Suspension	SB5000DMCIMA215
Case IH MX275 With Suspension	SB5000DMCIMA215S
Case IH MX285 No Suspension	SB5000DMCIMX210
Case IH MX305 No Suspension	SB5000DMCIMA215
Case IH MX305 With Suspension	SB5000DMCIMA215S
Case IH Magnum 335 No Suspension	SB5000DMCIMA215
Case IH Magnum 335 With Suspension	SB5000DMCIMA215S
Case IH 7230	SB5000DMCI7250
Case IH 7240	SB5000DMCI7250
Case IH 7250	SB5000DMCI7250

John Deere

John Deere 6170R No Suspension	SB5000DMJD6170R
John Deere 6170R With Suspension	SB5000DMJD6170RS
John Deere 6190R No Suspension	SB5000DMJD6170R
John Deere 6190R With Suspension	SB5000DMJD6170RS
John Deere 6195R No Suspension	SB5000DMJD6170R
John Deere 6195R With Suspension	SB5000DMJD6170RS
John Deere 6210R No Suspension	SB5000DMJD6170R
John Deere 6210R With Suspension	SB5000DMJD6170RS

Massey Ferguson

MF 7620 Dyna6 Tier 4 Engine, No Suspension	SB5000DMMF6485
MF 7620 DynaVT Tier 4 Engine, No Suspension	SB5000DMAGRT120AT3
MF 7620 Dyna6 Tier 4 Engine, With Suspension	SB5000DMMF6485S
MF 7620 DynaVT Tier 4 Engine, With Suspension	SB5000DMAGRT120AT3S
MF 7622 Dyna6 Tier 4 Engine, No Suspension	SB5000DMMF6485
MF 7622 DynaVT Tier 4 Engine, No Suspension	SB5000DMAGRT120AT3
MF 7622 Dyna6 Tier 4 Engine, With Suspension	SB5000DMMF6485S
MF 7622 DynaVT Tier 4 Engine, With Suspension	SB5000DMAGRT120AT3S
MF 7624 Dyna6 Tier 4 Engine, No Suspension	SB5000DMMF6485

Undercarriage Order Mounting Codes

MF 7624 DynaVT Tier 4 Engine, No Suspension	SB5000DMAGRT120AT3
MF 7624 Dyna6 Tier 4 Engine, With Suspension	SB5000DMMF6485S
MF 7624 DynaVT Tier 4 Engine, With Suspension	SB5000DMAGRT120AT3S
MF 7626 Dyna6 Tier 4 Engine, No Suspension	SB5000DMMF6485
MF 7626 Dyna6 Tier 4 Engine, With Suspension	SB5000DMMF6485S
MF7499 Tier 3 Engine, No Suspension	SB5000DMAGRT120AT3
MF7499 Tier 3 Engine, With Suspension	SB5000DMAGRT120AT3S
MF 8450 With Suspension	SB5000DMMF8450S

New Holland

New Holland TM190	SB5000DMNHTM190
New Holland T7.250 No Suspension	SB5000DMNHT7060
New Holland T7.250 With Suspension	SB5000DMNHT7060SP
New Holland TG210 No Suspension	SB5000DMNHT8030
New Holland TG210 With Suspension	SB5000DMNHT8030SP
New Holland TG215 No Suspension	SB5000DMNHT8030
New Holland TG215 With Suspension	SB5000DMNHT8030SP
New Holland TG230 No Suspension	SB5000DMNHT8030
New Holland TG230 With Suspension	SB5000DMNHT8030SP
New Holland TG245 No Suspension	SB5000DMNHT8030
New Holland TG245 With Suspension	SB5000DMNHT8030SP
New Holland TG255 No Suspension	SB5000DMNHT8030
New Holland TG255 With Suspension	SB5000DMNHT8030SP
New Holland TG275 No Suspension	SB5000DMNHT8030
New Holland TG275 With Suspension	SB5000DMNHT8030SP
New Holland TG285 No Suspension	SB5000DMNHT8030
New Holland TG285 With Suspension	SB5000DMNHT8030SP
New Holland TG305 No Suspension	SB5000DMNHT8030
New Holland TG305 With Suspension	SB5000DMNHT8030SP
New Holland T7040	SB5000DMNHT7060
New Holland T7040 With Suspension	SB5000DMNHT7060SP
New Holland T7060	SB5000DMNHT7060
New Holland T7060 With Suspension	SB5000DMNHT7060SP
New Holland T7070	SB5000DMNHT7060
New Holland T7070 With Suspension	SB5000DMNHT7060SP
New Holland T8010 No Suspension	SB5000DMNHT8030
New Holland T8010 With Suspension	SB5000DMNHT8030SP
New Holland T8020 No Suspension	SB5000DMNHT8030
New Holland T8020 With Suspension	SB5000DMNHT8030SP
New Holland T8030 No Suspension	SB5000DMNHT8030
New Holland T8030 With Suspension	SB5000DMNHT8030SP
New Holland 8670 Standard Axle	SB5000DMNH8970
New Holland 8970 Standard Axle	SB5000DMNH8970

Versatile

Versatile 260	SB5000DMVST310
Versatile 310	SB5000DMVST310

Loader Order Mounting Codes

Agco	Part #	Price Code
Quick Attach Mounts		
FL200A Hook Style Qtach	FNAO600	A
FL200A Skidsteer Style Qtach	BO500	A
FL200 Hook Style Qtach	FNAO600	A
FL600 Qtach	MF1090	B
676 Qtach	AG676	B
884 Pin Style Qtach	AG680	B
Direct To Loader Boom Mounts		
FL200 Direct	MF1040	B
FL200A Direct	MFDL260	B
FL400 Direct	MFDL280	B
FL400A Direct	MFDL280	B
FL500 Direct	MFDL280	B
SL44 Direct	MF1464	B
SL46 Direct	MF1466	B
SL46A Direct	AGSL46A	B
SL48 Direct	MF1040	B
SL48A Direct	MFDL260	B
680 Direct	AG680	B

Allied - FarmKing	Part #	Price Code
Quick Attach Mounts		
95 Qtach	AL195	B
195 Qtach	AL195	B
295 Qtach	AL295	B
390 Qtach	AL394	B
394 Qtach	AL394	B
395 Qtach	AL395Q	B
495 Qtach	AL595Q	B
590 Qtach	AL594	B
594 Qtach	AL594	B
595 Qtach	AL595Q	B
694 Qtach	AL694Q	B
695 Qtach	AL595Q	B
795 Qtach	AL795Q	B
894 Qtach	AL894	C
895 Qtach	AL895	C
2495 Qtach	AL2595	A
2495E Euro Qtach	AO600	A
2595 Qtach	AL2595	A
2595E Euro Qtach	AO600	A
2596 Qtach	AL2595	A
2596E Euro Qtach	AO600	A
2795 Qtach	AL2595	A
2795E Euro Qtach	AO600	A
2895 Qtach	AL2595	A
2895E Qtach	AO600	A

Direct To Loader Boom Mounts		
95 Direct	AL195	B
180 Direct	AL180	B
195 Direct	AL195	B
295 Direct	AL295	B
300 Direct	AL300	B
350 Direct	AL350	B
380 Direct	AL394	B
390 Direct	AL394	B
394 Direct	AL394	B
395 Direct	AL395	B
450 Direct	AL450	B

495 Direct	AL595	B
500 Direct	AL500	B
580 Direct	AL594	B
584 Direct	AL594	B
590 Direct	AL594	B
594 Direct	AL594	B
595 Direct	AL595	B
600 Direct	AL600	B
660 Direct	AL600	B
694 Direct	AL694	B
695 Direct	AL595	B
760 Direct	AL760	B
790 Direct	AL794	B
794 Direct	AL794	B
795 Direct	AL795	B
895 Direct	AL895D	B
2595 Direct	AL2595D	B
2596 Direct	AL2596D	B
2795E Direct	AL2795ED	B
2895 Direct	AL2895D	B

Allis Chalmers	Part #	Price Code
400 Direct	AC400	B
417 Direct	AC400	B
460 Direct	AC460	B
500 Direct	AC500	B
517 Direct	AC517	B
519 Direct	AC519	B

Alo	Part #	Price Code
Quick Attach Mounts		
160c Euro Qtach	AO600	A
160c Skidsteer Style Qtach	BO500	A
180c Euro Qtach	AO600	A
180 Skidsteer Style Qtach	BO500	A
300 Series Qtach (new style)	AO600	A
400 Series Qtach (new style)	AO600	A
500 Series Qtach (old style)	AO500	B
600 Series Qtach (new style)	AO600	A
700 Series Qtach (new style)	AO600	A
900 Series Qtach (new style)	AO600	A
N4 DM Euro Qtach	AO600	A
N4 DM Skidsteer Style Qtach	BO500	A
N4S DM Euro Qtach	AO600	A
N4S DM Skidsteer Style Qtach	BO500	A
N5 DM Euro Qtach	AO600	A
N5 DM Skidsteer Style Qtach	BO500	A
N5M DM Euro Qtach	AO600	A
N5M DM Skidsteer Style Qtach	BO500	A
N5S DM Euro Qtach	AO600	A
N5S DM Skidsteer Style Qtach	BO500	A
N6 DM Euro Qtach	AO600	A
N6 DM Skidsteer Style Qtach	BO500	A
N6S DM Euro Qtach	AO600	A
N6S DM Skidsteer Style Qtach	BO500	A
Q20 Euro Qtach	AO600	A
Q20 Skidsteer Style Qtach	BO500	A
Q21 Euro Qtach	AO600	A
Q21 Skidsteer Style Qtach	BO500	A
Q25 Euro Qtach	AO600	A
Q25 Skidsteer Style Qtach	BO500	A
Q26 Euro Qtach	AO600	A

Loader Order Mounting Codes

Q26 Skidsteer Style Qtach	BO500	A
Q30 Euro Qtach	AO600	A
Q30 Skidsteer Style Qtach	BO500	A
Q31 Euro Qtach	AO600	A
Q31 Skidsteer Style Qtach	BO500	A
Q33 Euro Qtach	AO600	A
Q33 Skidsteer Style Qtach	BO500	A
Q35 Euro Qtach	AO600	A
Q35 Skidsteer Style Qtach	BO500	A
Q36 Euro Qtach	AO600	A
Q36 Skidsteer Style Qtach	BO500	A
Q38 Euro Qtach	AO600	A
Q38 Skidsteer Style Qtach	BO500	A
Q40 Euro Qtach	AO600	A
Q40 Skidsteer Style Qtach	BO500	A
Q41 Euro Qtach	AO600	A
Q41 Skidsteer Style Qtach	BO500	A
Q45 Euro Qtach	AO600	A
Q45 Skidsteer Style Qtach	BO500	A
Q46 Euro Qtach	AO600	A
Q46 Skidsteer Style Qtach	BO500	A
Q48 Euro Qtach	AO600	A
Q49 Euro Qtach	AO600	A
Q50 Euro Qtach	AO600	A
Q51 Euro Qtach	AO600	A
Q55 Euro Qtach	AO600	A
Q56 Euro Qtach	AO600	A
Q58 Euro Qtach	AO600	A
Q60 Euro Qtach	AO600	A
Q61 Euro Qtach	AO600	A
Q65 Euro Qtach	AO600	A
Q66 Euro Qtach	AO600	A
Q68 Euro Qtach	AO600	A
Q75 Euro Qtach	AO600	A
Q76 Euro Qtach	AO600	A
Q78 Euro Qtach	AO600	A
Q85 Euro Qtach	AO600	A
Q88 Euro Qtach	AO600	A
Q98 Euro/Alo HD Qtach	AOQ98	C
X1 Euro Qtach	AO600	A
X1 Skidsteer Qtach	BO500	A
X1S Euro Qtach	AO600	A
X1S Skidsteer Qtach	BO500	A
X2 Euro Qtach	AO600	A
X2 Skidsteer Qtach	BO500	A
X2S Euro Qtach	AO600	A
X2S Skidsteer Qtach	BO500	A
X3 Euro Qtach	AO600	A
X3 Skidsteer Qtach	BO500	A
X3S Euro Qtach	AO600	A
X3S Skidsteer Qtach	BO500	A
X4 Euro Qtach	AO600	A
X4 Skidsteer Qtach	BO500	A
X4S Euro Qtach	AO600	A
X4S Skidsteer Qtach	BO500	A
X5 Euro Qtach	AO600	A
X5 Skidsteer Qtach	BO500	A
X5S Euro Qtach	AO600	A
X5S Skidsteer Qtach	BO500	A
X16 Euro Qtach	AO600	A
X21 Euro Qtach	AO600	A
X21 Skidsteer Qtach	BO500	A

X26 Euro Qtach	AO600	A
X26 Skidsteer Qtach	BO500	A
X31 Euro Qtach	AO600	A
X31 Skidsteer Qtach	BO500	A
X36 Euro Qtach	AO600	A
X36 Skidsteer Qtach	BO500	A
X41 Euro Qtach	AO600	A
X41 Skidsteer Qtach	BO500	A
X46 Euro Qtach	AO600	A
X46 Skidsteer Qtach	BO500	A
X51 Euro Qtach	AO600	A
X51 Skidsteer Qtach	BO500	A
X56 Euro Qtach	AO600	A
X56 Skidsteer Qtach	BO500	A

Direct To Loader Boom Mounts

100c Direct	AO100C	B
160c Direct	AO180C	B
180c Direct	AO180C	B
310 Direct	AO340	B
340 Direct	AO340	B
345 Direct	AO345	B
415 Direct	AO660	B
465UM Direct	AO675	B
465US Direct	AO675	B
510 Direct	AO660	B
520 Direct	AO660	B
525 Direct	AO660	B
540 Direct	AO660	B
545 Direct	AO660	B
620 Direct	AO660	B
640 Direct	AO660	B
660 Direct	AO660	B
670 Direct	AO660	B
675UM Direct	AO675	B
675US Direct	AO675	B
690UM Direct	AO690UM	B
690US Direct	AO690US	B
695UM Direct	AO675	B
695US Direct	AO675	B
710 Direct	AO660	B
720 Direct	AO660	B
730 DM Direct	AO660	B
740 Direct	AO660	B
750 Direct	AO660	B
755UM Direct	AO675	B
760 Direct	AO660	B
770UM Direct	AO675	B
770US Direct	AO675	B
790 Direct	AO790	B
910 Direct	AO660	B
920 Direct	AO660	B
930 Direct	AO660	B
940 Direct	AO660	B
960UM Direct	AO675	B
960US Direct	AO675	B
970UM Direct	AO675	B
970US Direct	AO675	B
980UM Direct	AO675	B
980US Direct	AO675	B
990 Direct	AO990	B
N4 DM Direct	AOQ55DM	B
N4S DM Direct	AOQ55DM	B

Loader Order Mounting Codes

N5 DM Direct	AOQ55DM	B
N5M DM Direct	AOQ55DM	B
N5S DM Direct	AOQ55DM	B
N6 DM Direct	AOQ55DM	B
N6S DM Direct	AOQ55DM	B
Q3 DM Direct	AOQ55DM	B
Q3L DM Direct	AOQ55DM	B
Q3M DM Direct	AOQ55DM	B
Q3S DM Direct	AOQ55DM	B
Q4 DM Direct	AOQ55DM	B
Q4L DM Direct	AOQ55DM	B
Q4M DM Direct	AOQ55DM	B
Q4S DM Direct	AOQ55DM	B
Q5 DM Direct	AOQ55DM	B
Q5L DM Direct	AOQ55DM	B
Q5M DM Direct	AOQ55DM	B
Q5S DM Direct	AOQ55DM	B
Q6 DM Direct	AOQ55DM	B
Q6L DM Direct	AOQ55DM	B
Q6M DM Direct	AOQ55DM	B
Q6S DM Direct	AOQ55DM	B
Q7L DM Direct	AOQ55DM	B
Q7M DM Direct	AOQ55DM	B
Q7S DM Direct	AOQ55DM	B
Q20 DM Direct	AOQ55DM	B
Q20 DS Direct	AOQ40US	B
Q20 US Direct	AOQ40US	B
Q21 DM Direct	AOQ55DM	B
Q21 US Direct	AOQ40US	B
Q25 DM Direct	AOQ55DM	B
Q25 DS Direct	AOQ40US	B
Q25 US Direct	AOQ40US	B
Q26 DM Direct	AOQ55DM	B
Q26 US Direct	AOQ40US	B
Q30 DM Direct	AOQ55DM	B
Q30 DS Direct	AOQ40US	B
Q30 US Direct	AOQ40US	B
Q31 DM Direct	AOQ55DM	B
Q31 US Direct	AOQ40US	B
Q33 DM Direct	AOQ55DM	B
Q35 DM Direct	AOQ55DM	B
Q35 DS Direct	AOQ40US	B
Q35 US Direct	AOQ40US	B
Q36 DM Direct	AOQ55DM	B
Q36 US Direct	AOQ40US	B
Q38 DM Direct	AOQ55DM	B
Q40 DM Direct	AOQ55DM	B
Q40 US Direct	AOQ40US	B
Q41 DM Direct	AOQ55DM	B
Q41 US Direct	AOQ40US	B
Q45 DM Direct	AOQ55DM	B
Q45 US Direct	AOQ40US	B
Q46 DM Direct	AOQ55DM	B
Q46 US Direct	AOQ40US	B
Q48 DM Direct	AOQ55DM	B
Q49 DM Direct	AOQ55DM	B
Q50 DM Direct	AOQ55DM	B
Q50 US Direct	AOQ40US	B
Q51 DM Direct	AOQ55DM	B
Q51 US Direct	AOQ40US	B
Q55 DM Direct	AOQ55DM	B
Q55 UM Direct	AOQ55DM	B

Q55 US Direct	AOQ40US	B
Q56 DM Direct	AOQ55DM	B
Q56 UM Direct	AOQ55DM	B
Q56 US Direct	AOQ40US	B
Q58 DM Direct	AOQ55DM	B
Q60 DM Direct	AOQ55DM	B
Q61 DM Direct	AOQ55DM	B
Q65 DM Direct	AOQ55DM	B
Q65 UM Direct	AOQ55DM	B
Q66 DM Direct	AOQ55DM	B
Q66 UM Direct	AOQ55DM	B
Q68 DM Direct	AOQ55DM	B
Q75 DM Direct	AOQ55DM	B
Q75 UM Direct	AOQ55DM	B
Q76 DM Direct	AOQ55DM	B
Q76 UM Direct	AOQ55DM	B
Q78 DM Direct	AOQ55DM	B
Q85 DM Direct	AOQ85	B
Q88 DM Direct	AOQ85	B
Q98 DM Direct	AOQ98D	C
X1 Direct	AOX36	B
X1S Direct	AOX36	B
X2 Direct	AOX36	B
X2S Direct	AOX36	B
X3 Direct	AOX36	B
X3S Direct	AOX36	B
X4 Direct	AOX36	B
X4S Direct	AOX36	B
X5 Direct	AOX36	B
X5S Direct	AOX36	B
X16 Direct	AOX36	B
X21 Direct	AOX36	B
X26 Direct	AOX36	B
X31 Direct	AOX36	B
X36 Direct	AOX36	B
X41 Direct	AOX36	B
X46 Direct	AOX36	B
X51 Direct	AOX36	B
X56 Direct	AOX36	B
1080 Direct	AO675	B
1055 DM Direct	AO675	B

Avant	Part #	Price Code
419 Qtach	AVQ	A
420 Qtach	AVQ	A
520 Qtach	AVQ	A
528 Qtach	AVQ	A
630 Qtach	AVQ	A
635 Qtach	AVQ	A
745 Qtach	AVQ	A
750 Qtach	AVQ	A

Belarus	Part #	Price Code
PK4 Direct	BEPK4	B
B-500 Direct	BEB500	B
700 Direct	BE700	B
1310 Direct	BE1310	B

Bobcat	Part #	Price Code
Quick Attach Mounts		
6TL Skidsteer Qtach	BO500	A
7TL Skidsteer Qtach	BO500	A

Loader Order Mounting Codes

8TL Skidsteer Qtach	BO500	A
9TL Skidsteer Qtach	BO500	A
FL6 Qtach	BO500	A
FL7 Qtach	BO500	A
FL8 Qtach	BO500	A
FL9 Qtach	BO500	A
FL9-5 Qtach	BO500	A
V417 Qtach	BO500	A
V518 Qtach	BO518	C
V623 Qtach	BO518	C
V638 Qtach	BO518	C
V723 Qtach	BO518	C
3650 UTV Qtach	BO3650Q	C

Direct To Loader Boom Mounts

6TL Direct	BO6TL	B
7TL Direct	BO6TL	B
8TL Direct	BO8TL	B
FL8 Direct	BOFL8	B
V417 Direct	BOV417	D
V519 Direct	BOV519D	D+295
TL519 Direct	BOTL519D	D+295

Branson	Part #	Price Code
Quick Attach Mounts		
BL10 Qtach	BRBL10A	B
BL10A Qtach	BRBL10A	B
BL20A Qtach	BRBL10A	B
BL25R Skidsteer Style Qtach	BO500	A
BL50 Skidsteer Style Qtach	BO500	A
Direct To Loader Boom Mounts		
SL00 Direct	BRSL00	B
SL15 Direct	BRSL00	B
BL25R Direct	BRBL25R	B

Bush Hog	Part #	Price Code
Quick Attach Mounts		
M346 Qtach	BHM346Q	C
M446 Qtach	BHM346Q	C
M546 Qtach	BHM346Q	C
M646 Qtach	BHM346Q	C
2045 Skidsteer Style Qtach	BO500	A
2347 Skidsteer Style Qtach	BO500	A
2425 Qtach (pin style)	BH2400	B
2426 Qtach	BH2426Q	C
2427 Skidsteer Style Qtach	BO500	A
2446 Qtach	BH2426Q	C
2447 Skidsteer Style Qtach	BO500	A
2846 Qtach	BH2426Q	C
2847 Skidsteer Style Qtach	BO500	A
3045 Skidsteer Style Qtach	BO500	A
3225 Qtach (pin style)	BH3226	B
3226 Qtach	BH3226Q	C
3227 Skidsteer Style Qtach	BO500	A
3545 Skidsteer Style Qtach	BO500	A
4045 Skidsteer Style Qtach	BO500	A
5045 Skidsteer Style Qtach	BO500	A
6045 Skidsteer Style Qtach	BO500	A

Direct To Loader Boom Mounts

1840 Direct	BH1847	B
1845 Direct	BH1847	B
1847 Direct	BH1847	B

2400 Direct	BH2400	B
2425 Direct	BH2400	B
2440 Direct	BH2400	B
2445 Direct	BH2400	B
2840 Direct	BH2400	B
2845 Direct	BH2400	B
2846 Direct	BH2846D	B
3045 Direct	FC4045	B
3225 Direct	BH3226	B
3226 Direct	BH3226	B
3400 Direct	BH2400	B
3545 Direct	FC4045	B
3450 Direct	BH3226	B
5045 Direct	FC4045	B
6045 Direct	FC4045	B

Case	Part #	Price Code
Quick Attach Mounts		
21D Qtach	NHLW50Q	D+531
21F Skidsteer Style Qtach	BO500	A
121F Hook Style Qtach	NHW80CQ	D+295
121F Skidsteer Style Qtach	BO500	A
221D Qtach	CA321DQ	D+531
221F Hook Style Qtach	NHW80CQ	D+295
221F Skidsteer Style Qtach	BO500	A
321D Qtach	CA321DQ	D+531
321F Hook Style Qtach	NHW80CQ	D+295
321F Skidsteer Style Qtach	BO500	A
521D JRB Qtach	JRB416	D+531
521E JRB Qtach	JRB416	D+531
621D JRB Qtach	JRB416	D+531
621E JRB Qtach	JRB416	D+531
TX742 Qtach	ST8042	D+295
TX842 Qtach	ST8042	D+295
TX945 Qtach	ST8042	D+295
FFC Qtach	CAFFC	D+295

Direct To Loader Boom Mounts

21F Direct up to May 30/18	NHW80C	D+531
21F Direct May 30/18 to current	CA321F	D+531
W24 Direct	CAW24	D+295
54L Direct	CA54L	B
55 Direct	CA55	C
56L Direct	CA56	B
58L Direct	CA56	B
60 Direct	CA60	B
65 Direct	CA65	B
66L Direct	CA56	B
90 Direct	CA90	B
96L Direct	CA96L	B
121F Direct up to May 30/18	NHW80C	D+531
121F Direct May 30/18 to current	CA321F	D+531
221F Direct up to May 30/18	NHW80C	D+531
221F Direct May 30/18 to current	CA321F	D+531
321F Direct up to May 30/18	NHW80C	D+531
321F Direct May 30/18 to current	CA321F	D+531
480ELL Direct	CA480ELL	D
521D Direct	NHW110B	D+295
521D XT Direct	CA521EXT	D+295
521D ZBAR Direct	NHW110B	D+295
521E Direct	NHW110B	D+295
521E XT Direct	CA521EXT	D+295
521E ZBAR Direct	NHW110B	D+295

Loader Order Mounting Codes

521F ZBAR Direct	NHW110B	D+295
570LXT Direct	CA580L	D
570L Direct	CA580L	D
570MXT Direct	CA580L	D
580B Direct	CA580B	D
580C Direct	CA580C	D
580D Direct	CA580C	D
580K Direct	CA580K	D
580L Direct	CA580L	D
580LXT Direct	CA580L	D
580M Direct	CA580L	D
580 Super E Direct	CA580E	D
580N Direct	CA580L	D
580SM Direct	CA580L	D
580SN Direct	CA580L	D
580SV Direct	NHB95TC	D
590L Direct	CA580L	D
590SL Direct	CA580L	D
590SM Direct	CA580L	D
621B ZBAR Direct	CA621B	D+295
621C ZBAR Direct	CA621B	D+295
621D ZBAR Direct	CA621EZ	D+295
621D XT Direct	CA621EXT	D+295
621E ZBAR Direct	CA621EZ	D+295
621E XT Direct	CA621EXT	D+295
721D Direct	CA721D	D+531
721E Direct	CA721D	D+531
721F Direct	CA721D	D+531
721G Direct	CA721D	D+531
821C Direct	CA821C	D+531
821E Direct	CA821E	D+531
821G Direct	CA821E	D+531
921 Direct	CA921E	D+531
921B Direct	CA921E	D+531
921C Direct	CA921E	D+531
921E Direct	CA921E	D+531

Case IH	Part #	Price Code
Quick Attach Mounts		
LX114 Skidsteer Qtach	BO500	A
LX118 Skidsteer Qtach	BO500	A
LX132 Skidsteer Qtach	BO500	A
LX152 Skidsteer Qtach	BO500	A
LX156 Qtach	AO600	A
LX162 Qtach	AO600	A
LX172 Qtach	AO600	A
LX232 Skidsteer Qtach	BO500	A
LX252 Skidsteer Qtach	BO500	A
L300 Qtach	CI510Q	B
LX340 Skidsteer Qtach	BO500	A
L350 Skidsteer Qtach	BO500	A
LX350 Skidsteer Qtach	BO500	A
L360 Skidsteer Qtach	BO500	A
LX360 Skidsteer Qtach	BO500	A
L400 - L750 Qtach	AO600	A
510 Qtach	CI510Q	B
520 Qtach	CI510Q	B
L530 Skidsteer Style Qtach	BO500	A
L540 Skidsteer Style Qtach	BO500	A
L650 Qtach	AO600	A
LX700 Series Qtach	AO600	A
L700 Series Qtach	AO600	A

L795 Series Qtach	AOQ98	C
710 Qtach	CI710Q	C
720 Qtach	CI710Q	C
890 Qtach	CI710Q	C
2250 Qtach	IH2250	B
2255 Qtach	IH2250	B

Direct To Loader Boom Mounts

L103 Direct	AOQ55DM	B
L104 Direct	AOQ55DM	B
L105 Direct	AOQ55DM	B
LX110 Direct	NH10LA	B
LX112 Direct	NH12LA	B
LX114 Direct	CILX114	B
LX116 Direct	NH17LA	B
LX118 Direct	NH17LA	B
L130 Direct	FO7308	B
LX132 Direct	CILX132	B
LX152 Direct	CILX132	B
L160 Direct	NH17LA	B
LX156 Direct	CILX162	B
LX162 Direct	CILX162	B
LX172 Direct	CILX162	B
LX232 Direct	CILX232	B
LX252 Direct	CILX232	B
L300 Direct	CI510	B
L340 Direct	NH240TL	B
LX340 Direct	NH240TL	B
L350 Direct	NH250TL	B
LX350 Direct	NH250TL	B
L360 Direct	NH250TL	B
L400 NSL Direct	CIL500	B
L405 NSL Direct	CIL500	B
L500 SL Direct	CIL500	B
L500 NSL Direct	CIL500	B
L505 Direct	CIL500	B
510 Direct	CI510	B
520 Direct	CI510	B
L530 Direct	CIL540	B
L540 Direct	CIL540	B
L550 NSL Direct	CIL500	B
L550 SL Direct	CIL500	B
555 Direct	CIL500	B
L565 Direct	AOX36	B
L575 Direct	AOX36	B
L600 Direct	CIL650	B
L610 Direct	CIL610	B
L620 Direct	CIL620	B
L630 Direct	CIL620	B
L650 Direct	CIL650	B
L720 Direct	AOQ55DM	B
LX720 Direct	AOQ55DM	B
L725 Direct	AOQ55DM	B
L730 Direct	AOQ55DM	B
L735 Direct	AOQ55DM	B
LX730 Direct	AOQ55DM	B
L740 Direct	AOQ55DM	B
LX740 Direct	AOQ55DM	B
L745 Direct	AOQ55DM	B
L750 Direct (Quicke)	AOQ55DM	B
LX750 Direct	AOQ55DM	B
L760 Direct	AOQ55DM	B
LX760 Direct	AOQ55DM	B

Loader Order Mounting Codes

L770 Direct	AOQ55DM	B
L775 Direct	AOQ55DM	B
LX770 Direct	AOQ55DM	B
LX780 Direct	AOQ85	B
L790 Direct	AOQ98D	C
810LA Direct	AOQ55DM	B
815LA Direct	AOQ55DM	B
830LA Direct	AOQ55DM	B
857LA Direct	AOQ55DM	B
1501 Direct	IH1501	C
1550 Direct	IH1501	C
1850 Direct	IH2200	B
2000 Direct	IH2000	B
2200 Direct	IH2200	B
2250 Direct	IH2250	B
2255 Direct	IH2250	B
2350 Direct	IH2250	B
2355 Direct	CI2355	B
2500 Direct	IH2500	B
3200 Direct	IH3200	B

Caterpillar	Part #	Price Code
Quick Attach Mounts		
IT12 Qtach	CAIT24	D+295
IT14 Qtach	CAIT24	D+295
IT18 Qtach	CAIT24	D+295
IT24 Qtach	CAIT24	D+295
IT28 Qtach	CAIT24	D+295
IT38G Qtach	CAIT38G	D+531
TH220B Qtach	CAIT24	D+295
TH330B Qtach	CAIT24	D+295
TH350B Qtach	CAIT24	D+295
TH360B Qtach	CAIT24	D+295
TH407 Qtach	CAIT24	D+295
IT416 Qtach	CAIT24	D+295
IT420 Qtach	CAIT24	D+295
420F IT Qtach	CAIT24	D+295
IT424 Qtach	CAIT24	D+295
430F IT Qtach	CAIT24	D+295
TH460B Qtach	CAIT24	D+295
TH560B Qtach	CAIT24	D+295
TH580B Qtach	CAIT24	D+295
TL642 Qtach	CAIT24	D+295
901C2 Skidsteer Style Qtach	BO500	A
902 Qtach	CA902	A
902C2 Skidsteer Style Qtach	BO500	A
903C Skidsteer Style Qtach	BO500	A
903C2 Skidsteer Style Qtach	BO500	A
904B Skidsteer Style Qtach	BO500	A
904H Skidsteer Style Qtach	BO500	A
906 Skidsteer Style Qtach	CA902	A
906H Hook Style Qtach	CA907	D+295
906H Skidsteer Style Qtach	BO500	A
906H2 Skidsteer Style Qtach	BO500	A
906M Hook Style Qtach	CA907	D+295
906M Skidsteer Style Qtach	BO500	A
907H Hook Style Qtach	CA907	D+295
907H Skidsteer Style Qtach	BO500	A
907H2 Hook Style Qtach	CA907	D+295
907H2 Skidsteer Style Qtach	BO500	A
907M Hook Style Qtach	CA907	D+295
907M Skidsteer Style Qtach	BO500	A

908 Qtach	CA902	A
908H Hook Style Qtach	CA907	D+295
908H Skidsteer Style Qtach	BO500	A
908H2 Hook Style Qtach	CA907	D+295
908H2 Skidsteer Style Qtach	BO500	A
908M Hook Style Qtach	CA907	D+295
908M Skidsteer Style Qtach	BO500	A
910K ISO Coupler	VOL50Q	D+295
910K IT Coupler	CAIT24	D+295
910M ISO Coupler	VOL50Q	D+295
910M IT Coupler	CAIT24	D+295
914G IT Coupler	CAIT24	D+295
914G2 IT Coupler	CAIT24	D+295
914K ISO Coupler	VOL50Q	D+295
914K IT Coupler	CAIT24	D+295
914M ISO Coupler	VOL50Q	D+295
914M IT Coupler	CAIT24	D+295
918K ISO Coupler	VOL50Q	D+295
918K IT Coupler	CAIT24	D+295
918M ISO Coupler	VOL50Q	D+295
918M IT Coupler	CAIT24	D+295
924H IT Coupler	CAIT24	D+295
924H Fusion Qtach	CAFU	D+531
924K Fusion Qtach	CAFU	D+531
930K Fusion Qtach	CAFU	D+531
938K Fusion Qtach	CAFU	D+531
TL943 Qtach	CAIT24	D+295
950G Qtach	CA950GQ	D+531
Cat Fusion Qtach	CAFU	D+531

Direct To Loader Boom Mounts		
906 Direct	CA906	D+295
906M Direct	CA906M	D+295
414E Direct	CA416	D+295
416D Direct	CA416	D+295
420D Direct	CA416	D+295
420E Direct	CA416	D+295
420F Single Cyl Direct	CA430F	D+295
420XE Single Cyl Direct	CA430F	D+295
424D Direct	CA416	D+295
426C Direct	CA416	D+295
428D Direct	CA416	D+295
430D Direct	CA416	D+295
430F Single Cyl Direct	CA430F	D+295
450E Direct	CA450E	D+295
450F Direct	CA450E	D+295
914G Direct	CA914G	D+295
924G Direct	CA924G	D+295
924GZ-Bar Direct	CA924GZ	D+295
924H Direct	CA924G	D+295
928F Direct	CA928FD	D+295
928Hz Direct	CA928HZ	D+295
938G Direct	CA938G	D+295
950C Direct	CA950	D+295
966H Direct	CA966H	D+531

Century	Part #	Price Code
Century 50 Qtach	CE50	A
Century 50HL Qtach	BO500	A

Challenger	Part #	Price Code
Quick Attach Mounts		
ML21 Qtach	AO600	A

Loader Order Mounting Codes

ML26 Qtach	AO600	A
ML31 Qtach	AO600	A
ML33 Qtach	AO600	A
ML36 Qtach	AO600	A
ML38 Qtach	AO600	A
ML40B Hook Type Qtach	FNAO600	A
ML40B Skidsteer Qtach	BO500	A
ML41 Qtach	AO600	A
ML46 Qtach	AO600	A
ML48 Qtach	AO600	A
ML49 Qtach	AO600	A
ML51 Qtach	AO600	A
ML56 Qtach	AO600	A
ML58 Qtach	AO600	A
ML61 Qtach	AO600	A
ML66 Qtach	AO600	A
ML68 Qtach	AO600	A
72B Qtach	AO600	A
ML72 Qtach	AO600	A
73B Qtach	AO600	A
74B Qtach	AO600	A
ML75 Qtach	AO600	A
ML76 Qtach	AO600	A
77B Qtach	AO600	A
ML77 Qtach	AO600	A
ML78 Qtach	AO600	A
ML88 Qtach	AO600	A
92B Qtach	AO600	A
ML92 Qtach	AO600	A
93B Qtach	AO600	A
94B Qtach	AO600	A
ML94 Qtach	AO600	A
ML96 Qtach	AO600	A
97B Qtach	AO600	A
ML97 Qtach	AO600	A
98B Qtach	AO600	A
ML98 Qtach	AO600	A
99B Qtach	AO600	A
Direct To Loader Boom Mounts		
ML10B Direct	MF1464	B
ML20 Direct	MF1464	B
ML20B Direct	MF1464	B
ML30 Direct	MF1466	B
ML21 Direct	AOQ55DM	B
ML26 Direct	AOQ55DM	B
ML31 Direct	AOQ55DM	B
ML33 Direct	AOQ55DM	B
ML36 Direct	AOQ55DM	B
ML38 Direct	AOQ55DM	B
ML40 Direct	MF1040	B
ML40B Direct	MFDL260	B
ML41 Direct	AOQ55DM	B
ML46 Direct	AOQ55DM	B
ML48 Direct	AOQ55DM	B
ML49 Direct	AOQ55DM	B
ML51 Direct	AOQ55DM	B
ML56 Direct	AOQ55DM	B
ML58 Direct	AOQ55DM	B
ML61 Direct	AOQ55DM	B
ML66 Direct	AOQ55DM	B
ML68 Direct	AOQ55DM	B
ML72 Direct	AO660	B

ML72B DM Direct up to S# 7282198	AOQ55DM	B
ML72B US Direct	AOQ40US	B
ML73B DM Direct up to S# 7282198	AOQ55DM	B
ML73B US Direct	AOQ40US	B
ML74B DM Direct up to S# 7282198	AOQ55DM	B
ML74B US Direct	AOQ40US	B
ML75 Direct	AO660	B
ML75B DM Direct up to S# 7282198	AOQ55DM	B
ML75B US Direct	AOQ40US	B
ML76 Direct	AOQ55DM	B
ML77 Direct	AO675	B
ML77B DM Direct up to S# 7282198	AOQ55DM	B
ML78 Direct	AOQ55DM	B
ML88 Direct	AOQ55DM	B
ML92 Direct	AO660	B
ML92B DM Direct up to S# 7282198	AOQ55DM	B
ML92B US Direct	AOQ40US	B
ML93B DM Direct up to S# 7282198	AOQ55DM	B
ML93B US Direct	AOQ40US	B
ML94 Direct	AO660	B
ML94B DM Direct up to S# 7282198	AOQ55DM	B
ML94B US Direct	AOQ40US	B
ML95B DM Direct up to S# 7282198	AOQ55DM	B
ML95B US Direct	AOQ40US	B
ML96 Direct	AO675	B
ML97 Direct	AO675	B
ML97B DM Direct up to S# 7282198	AOQ55DM	B
ML98 Direct	AO675	B
ML98B DM Direct up to S# 7282198	AOQ55DM	B

Cheng Gong	Part #	Price Code
938H Qtach	CG948HQ	D+531
948H Qtach	CG948HQ	D+531
957H Qtach	CG957HQ	D+531

Cub Cadet	Part #	Price Code
Quick Attach Mounts		
CL200 Qtach	CCCL200Q	B

Direct To Loader Boom Mounts		
CL100 Direct (1" cyl pin)	CCCL100A	B
CL100 Direct (1.25" cyl pin)	CCCL100B	B
CL200 Direct	CCCL200	B
CL300 Direct (2008 and earlier)	CCCL300	B
CL400 Direct	CCCL400	B
417 Direct	CC417	B
476 Direct	CC476	B

David Brown	Part #	Price Code
LF8H Direct	DBLF8H	C
LF12 Direct	DBLF8H	C
55 Direct	DB55	B
74L Direct	DB74L	B
990 Direct	DB990	B
995 Direct	DB995	B

Deutz Allis	Part #	Price Code
455 Direct	DA455	B
455R Direct	DA455	B
456 Direct	DA455	B
465 Direct	DA455	B
466 Direct	DA455	B
Fiat Allis 840 Direct	FA840	D

Loader Order Mounting Codes

Dieci	Part #	Price Code
Quick Attach Mounts		
5.519 Extreme Qtach	DCAO	D+295
Apollo 25.6 Qtach	DCAO	D+295
Dedalus 30.7 Qtach	DCAGP	D+531
Agri Tech 32.9VS Qtach	DCAGP	D+531
Zeus 33.11 Qtach	DCAGP	D+531
Pegasus 35.16 Qtach	DCRNR	D+531
Agri Tech 35.7VS Qtach	DCAGP	D+531
Zeus 37.7 Qtach	DCAGP	D+531
Zeus 38.10 Qtach	DCAGP	D+531
Runner 40.13 Qtach	DCRNR	D+531
Icarus 40.17 Qtach	DCRNR	D+531
Pegasus 40.25 Qtach	DCRNR	D+531
Agri Plus 40.7H Qtach	DCAGP	D+531
Samson 45.8 Qtach	DCRNR	D+531
Pegasus 50.21 Qtach	DCRNR	D+531
Pegasus 60.16 Qtach	DCRNR	D+531
Samson 65.8 Qtach	DCSMSN	D+531
Agri Max 65.8 Qtach	DCSMSN	D+531
Samson 70.10 Qtach	DCSMSN	D+531
Hercules 120.10 Qtach	DCH	D+531
Hercules 160.10 Qtach	DCH	D+531
Hercules 210.10 Qtach	DCH	D+531
Direct To Loader Boom Mounts		
Apollo 26.6 Direct	DCAO266D	D+295
Duall		
	Part #	Price Code
115 Qtach	DU115	B
215 Qtach	DU115	B
Dunham Lehr		
	Part #	Price Code
22 Direct	DL22	C
24 Direct	DL24	B
Ezee-On		
	Part #	Price Code
2070 Qtach	EZ2070	D
Faresin		
	Part #	Price Code
626S Qtach	FAR600	B
630C Qtach	FAR600	B
730C Qtach	FAR600	B
930C Qtach	FAR600	B
730M Qtach	FAR600	B
735M Qtach	FARSN	D+295
745M Qtach	FARSN	D+295
840M Qtach	FARSN	D+295
930M Qtach	FARSN	D+295
1135M Qtach	FARSN	D+295
960HD Qtach	FARHD	D+531
970HD Qtach	FARHD	D+531
1065HD Qtach	FARHD	D+531
1042BR Qtach	FARSN	D+295
1740BR Qtach	FARSN	D+295
1745BR Qtach	FARSN	D+295
Farmhand		
	Part #	Price Code
Quick Attach Mounts		
XL740 Qtach	FHXL740	B
XL940 Qtach	FHXL740	B
Direct To Loader Boom Mounts		
F258 Direct	FH258	B

FH222 Direct	MF1040	B
490 Direct	FH490	B
Fendt		
	Part #	Price Code
Quick Attach Mounts		
North American Qtach	FNAO600	A
555 Qtach	AO600	A
655 Qtach	AO600	A
Direct To Loader Boom Mounts		
4X75 Direct	FT4X85D	B
4X80 Direct	FT4X85D	B
4X85 Direct	FT4X85D	B
4X90 Direct	FT4X85D	B
5X85 Direct	FT4X85D	B
555 Direct	AOQ55DM	B
655 Direct	AOQ55DM	B
685 Direct	AOQ55DM	B
755 Direct	AOQ55DM	B
785 Direct	AOQ55DM	B
855 Direct	AOQ55DM	B
885 Direct	AOQ55DM	B
Force		
	Part #	Price Code
Quick Attach Mounts		
2045 Skidsteer Style Qtach	BO500	A
2347 Skidsteer Style Qtach	BO500	A
2427 Skidsteer Style Qtach	BO500	A
2447 Skidsteer Style Qtach	BO500	A
2847 Skidsteer Style Qtach	BO500	A
3045 Skidsteer Style Qtach	BO500	A
3227 Skidsteer Style Qtach	BO500	A
3545 Skidsteer Style Qtach	BO500	A
4045 Skidsteer Style Qtach	BO500	A
5045 Skidsteer Style Qtach	BO500	A
6045 Skidsteer Style Qtach	BO500	A
Direct To Loader Boom Mounts		
3045 Direct	FC4045	B
3545 Direct	FC4045	B
4045 Direct	FC4045	B
5045 Direct	FC4045	B
6045 Direct	FC4045	B
Ford (Ag)		
	Part #	Price Code
Quick Attach Mounts		
256 Qtach	FO276	C
276 Qtach	FO276	C
2360V Qtach	FO276	C
7210 Qtach	FO7310Q	B
7309 Qtach	FO7310Q	B
7310 Qtach	FO7310Q	B
7312 Qtach	FO7411Q	C
7314 Qtach	FO7411Q	C
7410 Qtach	FO7310Q	B
7411 Qtach	FO7411Q	C
7412 Qtach	FO7411Q	C
7413 Qtach	FO7411Q	C
7414 Qtach	FO276	C
7511 Qtach	FO7411Q	C
7514 Qtach	FO7514Q	C
Direct To Loader Boom Mounts		
A62 Direct	FOA62	D

Loader Order Mounting Codes

276 Direct	FO276D	C
340 Direct	FO340B	B
340A Direct	FO340B	B
340B Direct	FO340B	B
345C Direct	FO345D	D
345D Direct	FO345D	D
455 Direct	FO455	B
727 Direct	FO727	B
730 Direct	FO730	B
768 Direct	FO770	B
768A Direct	FO770	B
768B Direct	FO770	B
770A Direct	FO770	B
770B Direct	FO770	B
771 Compact Direct	FO770	B
772 Direct	FO772	B
775 Direct	FO775	B
776 Direct	FO772	B
777A Direct	FO777A	B
777B Direct	FO777B	B
777F Direct	FO777F	B
7106 Direct	FO7308	B
7108 Direct	FO7108	B
7109 Direct	FO7109	B
7209 Direct	FO7310	B
7210 Direct	FO7310	B
7308 Direct	FO7308	B
7309 Direct	FO7310	B
7310 Direct	FO7310	B
7312 Direct	FO7312	B
7410 Direct	FO7310	B
7411 Direct	FO7411D	B
7412 Direct	FO7411D	B
7413 Direct	FO7411D	B
7511 Direct	FO7411D	B
7414D Direct	FO7414D	B
7500 Direct	FO7500	B

Ford (Industrial)	Part #	Price Code
LB110 Ind Direct	FO575E	D
LB190 Ind Direct	FO575E	D
340 Direct	FO340B	B
340A Direct	FO340B	B
340B Direct	FO340B	B
345C Direct	FO345D	D
345D Direct	FO345D	D
445A Ind Direct	FO445A	C
445C Ind Direct	FO445C	C
445D Ind Direct	FO445D	C
455 Ind Direct	FO455IND	D
533 Ind Direct	FO533	D
545 Ind Direct	FO545	D
545C Ind Direct	FO545C	D
545D Ind Direct (After 1982)	FO545D	D
545D Ind Direct (1979 - 1982)	FO545DO	D
550 Ind Direct	FO555A	D
555 Ind Direct	FO555A	D
555A Ind Direct	FO555A	D
555B Ind Direct	FO555B	D
555C Ind Direct	FO555D	D
555D Ind Direct	FO555D	D
555E Ind Direct	FO575E	D

575E Ind Direct	FO575E	D
575D Ind Direct	FO555D	D
655A Ind Direct	FO555A	D
655C Ind Direct	FO555D	D
655D Ind Direct	FO555D	D
655E Ind Direct	FO575E	D
675D Ind Direct	FO555D	D
675E Ind Direct	FO575E	D
735 Ind Direct	FO735	B
744 Ind Direct	FO744	B
745 Ind Direct	FO745	B
4500 Ind Direct	FO4500	B

Freeman	Part #	Price Code
3000 Direct	FR3000	C
4000 Direct	FR4000	B

Frey	Part #	Price Code
Quick Attach Mounts		
Qtach	HOQF	A
190A Qtach	FRE750	A
360 Qtach	FRE750	A
500 Qtach	FRE750	A
ML665 Euro Qtach	AO600	A
ML665 Skidsteer Qtach	BO500	A
750 Qtach	FRE750	A
HR1100 Euro Qtach	AO600	A
HR1100 Skidsteer Qtach	BO500	A
HR1120 Euro Qtach	AO600	A
HR1120 Skidsteer Qtach	BO500	A
HR1130 Euro Qtach	AO600	A
HR1130 Skidsteer Qtach	BO500	A
ML6130 Euro Qtach	AO600	A
ML6130 Skidsteer Qtach	BO500	A

Direct To Loader Boom Mounts		
20 Direct	FRE160	B
40 Direct	FRE180	B
160 Direct	FRE160	B
165 Direct	FRE160	B
180 Direct	FRE180	B
200 Direct	FRE200	B
280 Direct	FRE280	B
ML360 Direct	FREML500	B
460 Direct	FRE460	B
461 Direct	FRE461	B
465 Direct	FREHR1100	B
ML500 Direct	FREML500	B
560 Direct	FRE460	B
565 Direct	FREHR1100	B
ML665 Direct	FREML665	B
ML750 Direct	FRE750D	B
60-10 Direct	FRE280	B
75-10 Direct	FRE460	B
75-15 Direct	FRE460	B
75-20 Direct	FRE7520	B
75-30 Direct	FRE7520	B
80-10 Direct	FRE8010	B
80-10N Direct	FRE8010	B
85-10 Direct	FRE460	B
80-30 Direct	FRE7520	B
85-20 Direct	FRE7520	B
85-30 Direct	FRE7520	B

Loader Order Mounting Codes

UN9000 Direct	FRE8010	B
HR1100 Direct	FREHR1100	B
HR1120 Direct	FREHR1100	B
HR1130 Direct	FREHR1100	B
ML6130 Direct	FREML665	B

Gehl	Part #	Price Code
Quick Attach Mounts		
AWS 36 Qtach	GE480	D+295
340 Skidsteer Qtach	BO500	A
480 Qtach	GE480	D+295
650 Skidsteer Qtach	CA902	A
680 Qtach	GE680	D+295
750 Skidsteer Qtach	CA902	A
ALT950 Manitou Qtach	MA523Q	D
RS 6-34 Dynattach	GEDY519	C
RS 6-42 Dynattach	GEDY642	C
RS 8-42 Dynattach	GEDY642	C
RS 8-44 Dynattach	GEDY642	C
AWS 46 Qtach	GE680	D+295
RS 5-19 Dynattach	GEDY519	C
Direct To Loader Boom Mounts		
AL650 Direct	GEAL650D	D+295

Genie	Part #	Price Code
5519 Qtach	TX5119	D

Giant	Part #	Price Code
Quick Attach Mounts		
Giant 254 SW Qtach	GID254SW	A
Giant V6004T Qtach	BO500	A
Direct To Loader Boom Mounts		
Giant V6004T Direct	GIV6004T	C

Great Bend	Part #	Price Code
Quick Attach Mounts		
M110 Qtach	GB870Q	B
330 Qtach	GB870Q	B
360 Qtach	GB870Q	B
440 Qtach	GB870Q	B
660 Qtach	GB870Q	B
760 Qtach	GB870Q	B
770 Qtach	GB870Q	B
860 Qtach	GB870Q	B
870 Qtach	GB870Q	B
880 Qtach	GB870Q	B
2140 Qtach	GB870Q	B
2144 Qtach	GB870Q	B
2157 Qtach	GB870Q	B
2166 Qtach	GB870Q	B
3424 Qtach	GB870Q	B
Direct To Loader Boom Mounts		
660 Direct	GB660	B
880 Direct	GB880	B
2805 Direct	GB2805	B

Hardy	Part #	Price Code
Quick Attach Mounts		
25 Qtach	HA35QT	C
35 Qtach	HA35QT	C

55 Qtach	HA85QT	C
65 Qtach	HA85QT	C
85DL Qtach	HA85QT	C
105 Qtach	HA85QT	C
115 Qtach	HA85QT	C
135 Qtach	HA85QT	C

Direct To Loader Boom Mounts		
45 Direct	HA55DL	B
55DL Direct	HA55DL	B
65DL Direct	HA65DL	B
65ST Direct	HA65ST	B
HUNIK 100 Direct	HAHU100	B
80 Direct	HA80	B
85DL Direct	HA85DL	B
85ST Direct	HA85ST	B
100 Direct	HA100	B
105DL Direct	HA115DL	B
115DL Direct	HA115DL	B

Hesston	Part #	Price Code
315 Direct	DA455	B
L335 Direct	DA455	B
L330 Direct	HD330	B

Horst	Part #	Price Code
Quick Fit	HOQF	A
Ind Quick Fit (tractor loader backhoe)	HDQF	D+295
Ind Quick Fit (wheel loader)	HDQFWL	D+531

Hyundai	Part #	Price Code
Quick Attach Mounts		
HL730TM-3 Qtach	HYHL740TM7	D+531
HL730TM-7 Qtach	HYHL740TM7	D+531
HL730TM-9 Qtach	HYHL740TM7	D+531
HL730TM-9A Qtach	HYHL740TM7	D+531
HL740TM-3 Qtach	HYHL740TM7	D+531
HL740TM-7 Qtach	HYHL740TM7	D+531
HL740TM-9 Qtach	HYHL740TM7	D+531
HL740TM-9A Qtach	HYHL740TM7	D+531
HL757TM-7 Qtach	HYHL757TM7	D+295
HL757TM-9 Qtach	HYHL757TM7	D+295
HL757TM-9A Qtach	HYHL757TM7	D+295
HL935TM Qtach	HYHL740TM7	D+531
HL940TM Qtach	HYHL740TM7	D+531
HL955TM Qtach	HYHL757TM7	D+295

Direct To Loader Boom Mounts		
HL730-3 Z-Bar Direct	HYHL7303	D+295
HL730-7A Z-Bar Direct	HYHL7303	D+295
HL730-9 Z-Bar Direct	HYHL7303	D+295
HL730-9A Z-Bar Direct	HYHL7303	D+295
HL730-9S Z-Bar Direct	HYHL7303	D+295
HL740-3 Z-Bar Direct	HYHL7403	D+295
HL740-7A Z-Bar Direct	HYHL7403	D+295
HL740-9 Z-Bar Direct	HYHL7403	D+295
HL740-9A Z-Bar Direct	HYHL7403	D+295
HL740-9S Z-Bar Direct	HYHL7403	D+295
HL750 Z-Bar Direct	HYHL750	D+295
HL757-7A Z-Bar Direct	HYHL7577	D+531
HL757-9 Z-Bar Direct	HYHL7577	D+531
HL757-9A Z-Bar Direct	HYHL7577	D+531
HL760 Z-Bar Direct	HYHL760	D+531
HL760-7A Z-Bar Direct	HYHL7607	D+531

Loader Order Mounting Codes

HL760-9 Z-Bar Direct	HYHL7607	D+531
HL760-9A Z-Bar Direct	HYHL7607	D+531
HL770 Z-Bar Direct	HYHL770	D+531
HL770-7A Z-Bar Direct	HYHL7707	D+531
HL770-9 Z-Bar Direct	HYHL7707	D+531
HL770-9A Z-Bar Direct	HYHL7707	D+531
HL780-9 Z-Bar Direct	HYHL7809	D+767
HL780-9A Z-Bar Direct	HYHL7809	D+767

Ingersoll-Rand	Part #	Price Code
VR843 Qtach	IRVR843	D+295

JCB	Part #	Price Code
Quick Attach Mounts		
TLT35D Changezee Qtach	JCCHZE	D+295
3CX Compact Qtach	JC212	D
3CX-14 Qtach	JC214Q	D
3CX-14 Super Qtach	JC214Q	D
3CX-15 Qtach	JC214Q	D
3CX-17 Super Qtach	JC214Q	D
4CX-14 Super Qtach	JC214Q	D
4CX-15 Super Qtach	JC214Q	D
4CX-17 Super Qtach	JC214Q	D
210 Qtach	JC212	D
212 Qtach	JC212	D
214 Site Master Qtach	JC214Q	D
TM180 Qtach	JC520	D
TM180 Ag Style Qtach	AO600	A
TM220 Qtach	JC520	D
TM220 Ag Style Qtach	AO600	A
TM310 Qtach	JC530B	D
TM310 Qtach (optional wide carriage)	JC530BW	D
TM320 Qtach	JC530B	D
TM320 Qtach (optional wide carriage)	JC530BW	D
TM420 Qtach	JC530B	D
TM420 Qtach (optional wide carriage)	JC530BW	D
406 Hook Style Qtach	JC406	D+295
407 Hook Style Qtach	JC406	D+295
407 Skidsteer Style Qtach	BO500	A
409 Skidsteer Style Qtach	BO500	A
411 Qtach	VOL50Q	D+295
416 Qtach	VOL50Q	D+295
417 Qtach	VOL50Q	D+295
426 Qtach	VOL50Q	D+295
427 Qtach	VOL50Q	D+295
436 Qtach	VOL50Q	D+295
437 Qtach	VOL50Q	D+295
457 Qtach	VOL50Q	D+295
504B Qtach	JC526	D+295
505-19 Qtach	JC530B	D
505-19 Qtach (optional wide carriage)	JC530BW	D
505-22 Qtach	JC530B	D
505-22 Qtach (optional wide carriage)	JC530BW	D
506 Qtach	JC508	D
508 Qtach	JC508	D
507-42 Qtach	JC50942	D
509-42 Qtach	JC50942	D
510-40 Qtach	JC530B	D
510-40 Qtach (optional wide carriage)	JC530BW	D
510-56 Qtach	JC50942	D
512-56 Qtach	JC50942	D
504-13 Qtach (Skidsteer Carrier) Qtach	BO500	A

505-20 (Skidsteer Carrier) Qtach	BO500	A
515-40 Qtach (Skidsteer Carrier) Qtach	BO500	A
520 Qtach	JC520	D
524-50 Qtach	JC520	D
525-60 Q-Fit Qtach	JC530B	D
525-60 (Skidsteer Carrier) Qtach	BO500	A
525-60 (Euro Carrier) Qtach	AO600	A
526 Qtach	JC526	D+295
527-58 Qtach	JC530B	D
527-58 Qtach (optional wide carriage)	JC530BW	D
530 Qtach	JC530B	D
530 Qtach (optional wide carriage)	JC530BW	D
530B Qtach	JC530B	D
530B Qtach (optional wide carriage)	JC530BW	D
536-60 Qtach	JC530B	D
536-60 Qtach (optional wide carriage)	JC530BW	D
540 Qtach	JC530B	D
540 Qtach (optional wide carriage)	JC530BW	D
541-70 Qtach	JC530B	D
541-70 Qtach (optional wide carriage)	JC530BW	D
560-80 Qtach	JC530B	D
560-80 Qtach (optional wide carriage)	JC530BW	D
MIDLx Qtach	BO500	A

Direct To Loader Boom Mounts		
3CX Direct	JC214	D
3CX Compact Direct	JC3CXC	D
4CX Direct	JC214	D
214 Direct	JC214	D
215 Direct	JC214	D
217 Direct	JC214	D
TM180 Direct	JCTM220D	D+531
TM220 Direct	JCTM220D	D+531
TM320 Direct	JCTM320D	D+531
TM320 Direct (Black Tipping Link)	JCTM320D2	D+531
407 Direct	JC407D	D+295
409 Direct	JC409D	D+531
410 HT Direct	JC410ZXD	D
411 HT Direct	JC411HTD	D
417 HT Direct	JC411HTD	D
TM420 Direct	JCTM420D	D+295
426 HT Direct	JC426HTD	D
426 ZX Direct	JC436ZXD	D
436 HT Direct	JC426HTD	D
436 ZX Direct	JC436ZXD	D
446 ZX Direct	JC446ZXD	D+295
456 ZX Direct	JC446ZXD	D+295
456 HT Direct	JC456HTD	D+295
504-13 Direct	JC50413D	D
515-40 Direct	JC51540D	D
505-20 Direct	JC52560D	D
525-60 Direct	JC52560D	D
527-55 Direct	JC52755D	D+295
527-58 Direct	JC52755D	D+295
2145 Direct	JC2145	D

JLG	Part #	Price Code
JLG G5-19 Qtach	JLG623	D+295
JLG G6-23 Qtach	JLG623	D+295
JLG AG823 Qtach	JLG623	D+295
JLG AG832 Qtach	JLG623	D+295
JLG AG925 Qtach	JLG623	D+295
JLG 9-43 Qtach Serial# 0 - 0160037670	JLG943A	D+531

Loader Order Mounting Codes

John Deere (Ag)	Part #	Price Code
Quick Attach Mounts		
1570 TerrainCut Front Mower	JD15FH	C
1575 TerrainCut Front Mower	JD15FH	C
1585 TerrainCut Front Mower	JD15FH	C
D120 (400 Style Carrier) Qtach	JD440	A
H120 (400 Style Carrier) Qtach	JD440	A
120R (400 Style Carrier) Qtach	JD440	A
H130 (400 Style Carrier) Qtach	JD440	A
D160 (400 Style Carrier) Qtach	JD440	A
H160 (400 Style Carrier) Qtach	JD440	A
H165 (400 Style Carrier) Qtach	JD440	A
H165 (Skidsteer Carrier) Qtach	BO500	A
D170 (400 Style Carrier) Qtach	JD440	A
H180 (400 Style Carrier) Qtach	JD440	A
H180 (Skidsteer Carrier) Qtach	BO500	A
200 CX (400 Style Carrier) Qtach	JD440	A
200 X (400 Style Carrier) Qtach	JD440	A
210 (400 Style Carrier) Qtach	JD440	A
220R (400 Style Carrier) Qtach	JD440	A
240 Qtach	JD245	A
245 Qtach	JD245	A
H240 (Global Carrier) Qtach	AO600	A
H240 (500 Style Carrier) Qtach	JD540	A
H240 (Skidsteer Carrier) Qtach	BO500	A
H260 (Global Carrier) Qtach	AO600	A
H260 (500 Style Carrier) Qtach	JD540	A
H260 (Skidsteer Carrier) Qtach	BO500	A
260 Qtach	JD245	A
265 Qtach	JD245	A
280 Qtach	JD280	B
300 CX (400 Style Carrier) Qtach	JD440	A
300 CX (Skidsteer Carrier) Qtach	BO500	A
300E (400 Style Carrier) Qtach	JD440	A
300 X (400 Style Carrier) Qtach	JD440	A
300 X (Skidsteer Carrier) Qtach	BO500	A
305 (400 Style Carrier) Qtach	JD440	A
H310 (Global Carrier) Qtach	AO600	A
H310 (500 Style Carrier) Qtach	JD540	A
H310 (Skidsteer Carrier) Qtach	BO500	A
320R (400 Style Carrier) Qtach	JD440	A
320R (Skidsteer Carrier) Qtach	BO500	A
H340 (Global Carrier) Qtach	AO600	A
H360 (Global Carrier) Qtach	AO600	A
H380 (Global Carrier) Qtach	AO600	A
400 CX Qtach	JD440	A
400E (400 Style Carrier) Qtach	JD440	A
400 X Qtach	JD440	A
410 Qtach	JD440	A
419 Qtach	JD440	A
420 Qtach	JD440	A
430 Qtach	JD440	A
440 Qtach	JD440	A
440R (400 Style Carrier) Qtach	JD440	A
440R (Skidsteer Carrier) Qtach	BO500	A
460 Qtach	JD440	A
H480 Qtach (Global 2 Carrier)	JDH480	C
510 Qtach	JD440540	A
512 Qtach	JD440540	A
520 Qtach	JD440540	A

500M (Global Carrier) Qtach	AO600	A
500M (500 Style Carrier) Qtach	JD440540	A
500M (Skidsteer Carrier) Qtach	BO500	A
520M (Global Carrier) Qtach	AO600	A
520M (500 Style Carrier) Qtach	JD440540	A
520M (Skidsteer Carrier) Qtach	BO500	A
521 Qtach	JD440540	A
522 Qtach	JD440540	A
540 Qtach	JD440540	A
540 SL Qtach	JD440540	A
540M (Global Carrier) Qtach	AO600	A
540M (500 Style Carrier) Qtach	JD440540	A
540M (Skidsteer Carrier) Qtach	BO500	A
540R (Global Carrier) Qtach	AO600	A
540R (500 Style Carrier) Qtach	JD440540	A
540R (Skidsteer Carrier) Qtach	BO500	A
541 Qtach	JD440540	A
542 Qtach	JD440540	A
553 (Global Carrier) Qtach	AO600	A
553 (500 Style Carrier) Qtach	JD440540	A
553 (Skidsteer Carrier) Qtach	BO500	A
562 (Global Carrier) Qtach	AO600	A
562 (500 Style Carrier) Qtach	JD440540	A
562 (Skidsteer Carrier) Qtach	BO500	A
563 (Global Carrier) Qtach	AO600	A
563 (500 Style Carrier) Qtach	JD440540	A
563 (600 Style Carrier) Qtach	JD640	C
563 (Skidsteer Carrier) Qtach	BO500	A
620 Qtach	JD640	C
600R (Global Carrier) Qtach	AO600	A
620R (Global Carrier) Qtach	AO600	A
640 Qtach	JD640	C
640R (Global Carrier) Qtach	AO600	A
660R (Global Carrier) Qtach	AO600	A
673 (Global Carrier) Qtach	AO600	A
673 (600 Style Carrier) Qtach	JD640	C
673 (Skidsteer Carrier) Qtach	BO500	A
680R (Global Carrier) Qtach	AO600	A
700M Qtach (Global 2 Carrier)	JDH480	C
720 Qtach	JD640	C
725 Qtach	JD640	C
740 Qtach	JD640	C
741 (Global Carrier) Qtach	AO600	A
741 (700 Style Carrier) Qtach	JD640	C
746 (Global Carrier) Qtach	AO600	A
746 (800 Style Carrier) Qtach	JD840	C
746 (700 Style Carrier) Qtach	JD640	C
840 Qtach	JD840	C
843 Qtach	JD840	C
3200 Telehandler Qtach	JD3400	D
3400 Telehandler Qtach	JD3400	D
3800 Telehandler Qtach	JD3400	D
Direct To Loader Boom Mounts		
36 Direct	JD36	C
37 Direct	JD37	C
38 Direct	JD38	C
45 Direct	JD45	B
46A Direct	JD46A	C
47 Direct	JD46A	C
48 Direct	JD48	C
58 Direct	JD48	C
67 Direct	JD67	B

Loader Order Mounting Codes

70 Direct	JD70	B
70A Direct	JD70	B
75 Direct	JD75	B
80 Direct	JD80	B
100 Direct	JD100	B
110 Direct	JD110	B
D120 Direct	JD300X	B
H120 Direct	JD300X	B
120R MSL Direct	JD400X	B
120R NSL Direct	JD300X	B
H130 Direct	JD300X	B
143 Direct	JD143	C
145 Direct	JD145	B
146 Direct	JD146	B
148 Direct	JD146	B
158 Direct	JD146	B
D160 Direct	JD300X	B
H160 Direct	JD300X	B
H165 Direct	JD400X	B
D170 Direct	JDD170	B
175 Direct	JD175	B
H180 Direct	JD400X	B
200X Direct	JD300X	B
200CX Direct	JD300X	B
220R MSL Direct	JD400X	B
220R NSL Direct	JD300X	B
H240 Direct	JDH240	B
245 Direct	JD245D	D
260 Direct	JD260L	B
H260 Direct	JDH340	B
265 Direct	JD265	B
300 Direct	JD300X	B
300CX Direct	JD400X	B
300E MSL Direct	JD400X	B
300E NSL Direct	JD300X	B
300R Direct	JD300X	B
300X Direct	JD300X	B
305 Direct	JD300X	B
H310 Direct	JDH340	B
320R Direct	JD400X	B
H340 Direct	JDH340	B
H360 Direct	JDH380	B
H380 Direct	JDH380	B
400CX Direct	JD400X	B
400E Direct	JDD170	B
400X Direct	JD400X	B
419 Direct	JD419D	B
420 Direct	JD419D	B
430 Direct	JD419D	B
440 Direct	JD440D	B
460 Direct	JD419D	B
440R MSL Direct	JD400X	B
440R NSL Direct	JD400X	B
H480 Direct	JDH480D	C
500M Direct	JDH240	B
520 NSL Direct	JD540D	B
520M Direct	JDH240	B
521 NSL Direct	JD540D	B
522 Direct	JD540D	B
540 NSL Direct	JD540D	B
540 SL Direct	JD541SL	B
540M Direct	JDH340	B
540R Direct	JD540R	B

541 NSL Direct	JD541SL	B
541 SL Direct	JD541SL	B
542 NSL Direct	JD541SL	B
542 SL Direct	JD541SL	B
553 Direct	JD553D	B
562 SL Direct	JD563	B
563 NSL Direct	JD563	B
563 SL Direct	JD563	B
600R Direct	JD600R	B
620 NSL Direct	JD620NSL	B
620 SL Direct	JD620SL	B
620R NSL Direct	JD620R	B
620R SL Direct	JD620R	B
640 NSL Direct	JD620NSL	B
640 SL Direct	JD620SL	B
640R NSL Direct	JD640R	C
640R SL Direct	JD640R	C
660R NSL Direct	JD640R	C
660R SL Direct	JD640R	C
673 NSL Direct	JD563	B
673 SL Direct	JD563	B
680R NSL Direct	JD640R	C
680R SL Direct	JD640R	C
700M Direct	JDH480D	C
720 NSL Direct	JD620NSL	B
720 SL Direct	JD620SL	B
725 NSL Direct	JD620NSL	B
725 SL Direct	JD620SL	B
740 NSL Direct	JD740NSL	B
740 SL Direct	JD740SL	B
741 NSL Direct	JD741	C
741 SL Direct	JD741	C
746 Direct	JD741	C
840 Direct	JD843D	C
843 Direct	JD843D	C

John Deere (Industrial)	Part #	Price Code
Quick Attach Mounts		
TL110 Skidsteer Qtach	BO500	A
204K Skidsteer Qtach	BO500	A
210C Qtach	JD210C	D
244E Qtach	JD244EQ	D+295
244J Qtach	JD244J	D+295
244K Skidsteer Qtach	BO500	A
244K ISO Qtach	JD244J	D+295
244L Skidsteer Qtach	BO500	A
244L ISO Qtach	JD244J	D+295
304H ISO Qtach	JD244J	D+295
304J ISO Qtach	JD244J	D+295
304K Skidsteer Qtach	BO500	A
304K ISO Qtach	JD244J	D+295
304L Skidsteer Qtach	BO500	A
304L ISO Qtach	JD244J	D+295
310G Qtach	JRBE	D+295
310SG Qtach	JRBE	D+295
310SK Qtach	JRBE	D+295
310J Qtach	JRBE	D+295
310SJ Qtach	JRBE	D+295
310SJ TC Qtach	JRBE	D+295
310K Qtach	JRBE	D+295
310K EP Qtach	JRBE	D+295
310L Qtach	JRBE	D+295

Loader Order Mounting Codes

310SL Qtach	JRBE	D+295
310SL HL Qtach	JRBE	D+295
324J Qtach	JD244J	D+295
324K Skidsteer Qtach	BO500	A
324K ISO Qtach	JD244J	D+295
324L Skidsteer Qtach	BO500	A
324L ISO Qtach	JD244J	D+295
326P ISO Qtach	JD244J	D+295
344H Highvis Qtach	VOL50Q	D+295
344J Highvis Qtach	VOL50Q	D+295
344K Highvis Qtach	VOL50Q	D+295
344L Highvis Qtach	VOL50Q	D+295
410G Ind Qtach	JRBE	D+295
410J Ind Qtach	JRBE	D+295
410K Ind Qtach	JRBE	D+295
410L Ind Qtach	JRBE	D+295
444H Ind Qtach	JRB416	D+531
444J Ind Qtach	JRB416	D+531
444J Highvis Qtach	VOL50Q	D+295
444K Ind Qtach	JRB416	D+531
444K Highvis Qtach	VOL50Q	D+295
524K Highvis Qtach	VOL50Q	D+295
524K Ind Qtach	JRB416	D+531
544E Ind Qtach	JRB416	D+531
544G Ind Qtach	JRB416	D+531
544H Ind Qtach	JRB416	D+531
544J Ind Qtach	JRB416	D+531
544J Highvis Qtach	VOL50Q	D+295
544K Ind Qtach	JRB416	D+531
544K Highvis Qtach	VOL50Q	D+295
624J Ind Qtach	JRB416	D+531
624K Ind Qtach	JRB416	D+531
624J Highvis Qtach	VOL50Q	D+295
624K Highvis Qtach	VOL50Q	D+295
644K Highvis Qtach	VOL50Q	D+295
710G Ind Qtach	JRB416	D+531
710J Ind Qtach	JRB416	D+531
710K Ind Qtach	JRB416	D+531
710L Ind Qtach	JRB416	D+531
Direct To Loader Boom Mounts		
48 Ind Direct	JD48IND	C
TL110 Ind Direct	JDTL110	B
204G Direct	JD244PD	D+295
204K Direct	JD244PD	D+295
204L Direct	JD244PD	D+295
210C Ind Direct (Serial# 742527 - End)	JD310C	D
210K Ind Direct	JD310SG	D
210K EP Ind Direct	JD310SG	D
210L Ind Direct	JD310SG	D
210LE Ind Direct	JD310SG	D
210LJ Ind Direct	JD310SG	D
210L EP Ind Direct	JD310SG	D
244E Ind Direct	JD244E	D
244H Ind Direct	JD244E	D
244J Direct	JD244PD	D+295
244K Direct	JD244PD	D+295
244K II Direct	JD244PD	D+295
244L Direct	JD244PD	D+295
244P Direct	JD244PD	D+295
300 Ind Direct	JD300	C
300D Ind Direct	JD310C	D
304G Direct	JD244PD	D+295

304J Direct	JD244PD	D+295
304K Direct	JD244PD	D+295
304L Direct	JD244PD	D+295
310C Ind Direct	JD310C	D
310D Ind Direct	JD310C	D
310E Direct (Serial# 0 - 881677)	JD310E	D
310E Direct (Serial# 881678 - End)	JD310SG	D
310SE Direct (Serial# 0 - 881677)	JD310E	D
310SE Direct (Serial# 881678 - End)	JD310SG	D
310G Direct	JD310SG	D
310SG Direct	JD310SG	D
310J Direct	JD310SG	D
310SJ Direct	JD310SG	D
310SJ TC Direct	JD310SG	D
310K Direct	JD310SG	D
310SK Direct	JD310SG	D
310K EP Direct	JD310SG	D
310L Direct	JD310SG	D
310SL Direct	JD310SG	D
310SL HL Direct	JD310SG	D
310L EP Direct	JD310SG	D
315C Ind Direct	JD310C	D
315D Ind Direct	JD310C	D
315SE Direct (Serial# 0 - 881677)	JD310E	D
315SE Direct (Serial# 881678 - End)	JD310SG	D
315SG Direct	JD310SG	D
315SJ Direct	JD310SG	D
324J Direct	JD244PD	D+295
324K Direct	JD244PD	D+295
324L Direct	JD244PD	D+295
324P Direct	JD244PD	D+295
344E Ind Direct	JD344E	D
344G Ind Direct	JD344G	D
344H Ind Direct	JD344J	D+295
344J Ind Direct	JD344J	D+295
344K Ind Direct	JD344J	D+295
401C Direct	JD401C	D
410C Ind Direct	JD310C	D
410D Ind Direct	JD310C	D
410E Direct (Serial# 0 - 881677)	JD310E	D
410E Direct (Serial# 881678 - End)	JD310SG	D
410G Direct	JD310SG	D
410J Direct	JD310SG	D
410K Direct	JD310SG	D
410L Direct	JD310SG	D
444E Ind Direct	JD444E	D
444G Ind Direct	JD444G	D
444H Z-BAR Direct	JD444H	D
444J POWERLLEL Direct	JD444JP	D
444J Z-BAR Direct	JD444H	D
444K Direct	JD444H	D
444K POWERLLEL Direct	JD444JP	D
510 Ind Direct	JD510	D
510C Ind Direct	JD310C	D
510D Ind Direct	JD310C	D
544A Ind Direct	JD544A	D+295
544E Ind Direct	JD544E	D+295
544G Ind Direct	JD544G	D+295
544H Ind Direct	JD544J	D+295
544J Ind Direct	JD544J	D+295
610C Ind Direct	JD310C	D
624E Ind Direct	JD624E	D+531

Loader Order Mounting Codes

624G Ind Direct	JD624G	D+531
644B Ind Direct	JD644B	D+531
644G Ind Direct	JD644G	D+531
644H Ind Direct	JD644H	D+531
710G Ind Direct	JD710G	D+531
710J Ind Direct	JD710G	D+531
710K Ind Direct	JD710G	D+531
710L Ind Direct	JD710G	D+531
724J Ind Direct	JD724J	D+531
7310 Ind Direct	JD7310	D+295

JRB	Part #	Price Code
JRB Deere E Series Qtach	JRBE	D+295
JRB WB140 Series Qtach	JRBWB140	D+531
JRB 416 Series Qtach	JRB416	D+531
JRB 418 Series Qtach	JRB418	D+531
JRB 420 Series Qtach	JRB420	D+649

Kawasaki	Part #	Price Code
Quick Attach Mounts		
45ZV Qtach	KA45ZVQ	D+295
45ZV-2 Qtach	KA45ZVQ	D+295
Direct To Loader Boom Mounts		
45ZV Direct	KA45ZVD	D
80ZV Direct	KA80ZVD	D

Kioti	Part #	Price Code
Quick Attach Mounts		
Kioti CK10 Series Front Hitch	KICK10FH	C
KL901 (Skidsteer Carrier) Qtach	BO500	A
KL1153 (Skidsteer Carrier) Qtach	BO500	A
KL2510 (Skidsteer Carrier) Qtach	BO500	A
KL2610 (Skidsteer Carrier) Qtach	BO500	A
KL4010 (Skidsteer Carrier) Qtach	BO500	A
KL4020 (Skidsteer Carrier) Qtach	BO500	A
KL4030 (Skidsteer Carrier) Qtach	BO500	A
KL5510 (Skidsteer Carrier) Qtach	BO500	A
KL6010 (Skidsteer Carrier) Qtach	BO500	A
KL7320 (Skidsteer Carrier) Qtach	BO500	A
1590 Qtach	BO500	A

Direct To Loader Boom Mounts		
102 Direct	KI102	B
KL120 Direct	KIKL120	B
KL130 Direct	KIKL130	B
KL351 Direct	KIKL401	B
KL401 Direct	KIKL401	B
KL402 Direct	KIKL401	B
KL451 Direct	KIKL451	B
KL901 Direct	KIKL901	B
KL1155 Direct	KIKL1155	B
1210 Direct	KI1210D	B
1730 Direct	KI1730	B
SL2410 Direct	KISL2410	B
KL2510 Direct	KIKL2510	B
KL4030 Direct	KIKL4030	B
KL7320 Direct	KIKL7320	B

KMW	Part #	Price Code
65 Direct	KM65	C
K76 Direct	KM130	B
K78 Direct	KM130	B
K88 Direct	KM130	B

130 Direct	KM130	B
132 Direct	KM132	B
145 Direct	KM130	B
345 Direct	KM130	B
350 Direct	KM350	B
400 Direct	KM400	B
K500 Direct	KM130	B
520 Direct	KM130	B
600 Direct	KM600	B
K760 Direct	KM130	B
775 Direct	KM775	B

Komatsu	Part #	Price Code
Quick Attach Mounts		
WA65 Qtach	KSWA80	D+295
WA80 Qtach	KSWA80	D+295
WA100 Qtach	KSWA100	D+295

Direct To Loader Boom Mounts		
WA50-3 Direct	KSWA503	D
WB140-2 Direct	KSWB140	D
WB146 Direct	KSWB140	D
WB150-2 Direct	KSWB140	D
WB156 Direct	KSWB140	D
WA180-3 Direct	KSWA1803	D
WA250-6 Direct	KSWA2506	D
WA320-5 Direct	KSWA3205	D
WA320-6 Direct	KSWA3205	D

Koyker	Part #	Price Code
Quick Attach Mounts		
140 Skidsteer Qtach	BO500	A
145 Skidsteer Qtach	BO500	A
155 Skidsteer Qtach	BO500	A
180 Skidsteer Qtach	BO500	A
185 Skidsteer Qtach	BO500	A

Direct To Loader Boom Mounts		
160 Direct	KKR160	B

Kubota	Part #	Price Code
Quick Attach Mounts		
BX Series Front Hitch Qtach	KUBX	B
BX2810 Series Front Hitch Qtach	KUBX2810	D+295
B26TLB Skidsteer Qtach	BO500	A
L Series Front Hitch Qtach	KUL30	B
L4455 Front Hitch Qtach	KUL4455	C
L4455A Front Hitch Qtach	KUL4455	C
L39 Skidsteer Qtach	BO500	A
M59TLB Skidsteer Qtach	BO500	A
LA240A (Pin style Qtach)	KULA240	B
LA243A (Pin style Qtach)	KULA240	B
M310 Euro Qtach	AO600	A
R310 Qtach	KU310Q	C
M340 Euro Qtach	AO600	A
LA340 Skidsteer Qtach	BO500	A
LA340S Skidsteer Qtach	BO500	A
LA344 Skidsteer Qtach	BO500	A
LA344S Skidsteer Qtach	BO500	A
LA364 Qtach (pin style)	KULA304	B
LA403 Qtach (pin style)	KULA403	B
R410 Qtach	KU410	C
M415 Euro Qtach	AO600	A
R420 Qtach	KU410	C

Loader Order Mounting Codes

LA435 Swift-Tach Skidsteer Qtach	SSLQ6	A
LA504 Qtach (pin style)	KULA504	B
LA525 Skidsteer Qtach	BO500	A
LA526 Skidsteer Qtach	BO500	A
R510 Qtach	KU410	C
R520 Qtach	KU410	C
R530 Euro Qtach	KUR630	D+295
R530 Skidsteer Qtach	BO500	A
R540 Euro Qtach	KUR630	D+295
R540 Skidsteer Qtach	BO500	A
LA535 Swift-Tach Skidsteer Qtach	SSLQ6	A
M540 (old style) Qtach	AO500	B
M540 Euro Qtach	AO600	A
LA545 Swift-Tach Skidsteer Qtach	SSLQ6	A
M560 Qtach	AO500	B
R630 Euro Qtach	KUR630	D+295
R630 Skidsteer Qtach	BO500	A
R640 Euro Qtach	KUR630	D+295
R640 Skidsteer Qtach	BO500	A
M720 Euro Qtach	AO600	A
LA724 Skidsteer Qtach	BO500	A
LA765 Skidsteer Qtach	BO500	A
LA805 Skidsteer Qtach	BO500	A
LA852 Qtach	KULA852	B
M940 Euro Qtach	AO600	A
M1000 Qtach	CI510Q	B
M1250 Qtach	CI510Q	B
M1275 Qtach	CI510Q	B
M1410 Qtach	CI510Q	B
TL1000 Skidsteer Qtach	BO500	A
1001 Qtach (pin style)	KU1001	B
1001 Qtach (hook style)	KU1001Q	B
1002 Qtach (pin style)	KU1001	B
1002 Qtach (hook style)	KU1001Q	B
LA1055 Skidsteer Qtach	BO500	A
LA1065 Skidsteer Qtach	BO500	A
TL1150 Skidsteer Qtach	BO500	A
LA1153 Euro Qtach	AO600	A
LA1153 Skidsteer Qtach	BO500	A
LA1154 Skidsteer Qtach	BO500	A
LA1251 Kubota Qtach	KU1251Q	B
LA1301 Kubota Qtach	KU1251Q	B
LA1353 Euro Qtach	AO600	A
LA1353 Skidsteer Qtach	BO500	A
LA1403 Euro Qtach	AO600	A
M1423 Euro Qtach	AO600	A
LA1601 Euro Qtach	AO600	A
LA1601 Kubota Qtach	KU1251Q	B
LA1601 Skidsteer Qtach	BO500	A
TL1709 Skidsteer Qtach	BO500	A
LA1854 Skidsteer Qtach	BO500	A
LA1854E Euro Qtach	AO600	A
LA1955 Skidsteer Qtach	BO500	A
LA2253 Euro Qtach	AO600	A
LA2253 Skidsteer Qtach	BO500	A
LA2255 Skidsteer Qtach	BO500	A
LA2254 Euro Qtach	AO600	A
LA2254 Skidsteer Qtach	BO500	A
LA2255E Euro Qtach	AO600	A
LM2605 Euro Qtach	AO600	A
Direct To Loader Boom Mounts		
B20 Direct	KU421A	B

Q20 DM Direct	AOQ55DM	B
22 Direct	KU22	B
Q30 DM Direct	AOQ55DM	B
L35 Direct	KUL35	B
Q35 DM Direct	AOQ55DM	B
M21 Direct	AOQ55DM	B
M26 Direct	AOQ55DM	B
M31 Direct	AOQ55DM	B
M32 Direct	AOQ55DM	B
M36 Direct	AOQ55DM	B
M37 Direct	AOQ55DM	B
M41 Direct	AOQ55DM	B
M42 Direct	AOQ55DM	B
M45 DM Direct	AOQ55DM	B
M46 Direct	AOQ55DM	B
M47 Direct	AOQ55DM	B
M50 DM Direct	AOQ55DM	B
M51 Direct	AOQ55DM	B
M52 Direct	AOQ55DM	B
M55 DM Direct	AOQ55DM	B
M56 Direct	AOQ55DM	B
M57 Direct	AOQ55DM	B
LA203 Direct	KULA240	B
LA210 Direct	KULA210	B
LA211 Direct	KULA210	B
LA240 Direct	KULA240	B
LA240A Direct	KULA240	B
LA243 Direct	KULA240	B
LA243A Direct	KULA240	B
300 Direct	KU300	B
300A Direct	KU300	B
BF300 Direct	KU300	B
LA300B Direct	KULA300B	B
LA301 Direct	KU301	B
LA302 Direct	KU301	B
LA304 Direct	KULA304	B
R310 Direct	KU310	C
LA340 Direct	KULA240	B
LA340S Direct	KULA240	B
LA344 Direct	KULA240	B
LA344S Direct	KULA240	B
BF350 Direct	KU350A	B
LA350 Direct	KU350	B
LA350A Direct	KULA350A	B
L352 Direct	KUL352	B
LA364 Direct	KULA304	B
BF400 Direct	KULA450	B
LA400 Direct	KU400	B
LA401 Direct	KULA480	B
LA402 Direct	KULA480	B
LA403 Direct	KULA403	B
R400 Direct	KUR400	C
R410 Direct	KU420	C
R420 Direct	KU420	C
TL420 Direct	KU421A	B
TL421A Direct	KU421A	B
LA434 Direct	KULA504	B
LA435 Direct	KULA545	B
LA450 Direct	KULA450	B
LA452S Direct	KULA480	B
LA463 Direct	KULA463	B
LA480 Direct	KULA480	B

Loader Order Mounting Codes

LA481 Direct	KULA480	B
LA482 Direct	KULA480	B
490 Direct	KU490	B
K490 Direct	KUK490	B
BF500 Direct	KULA450	B
LA504 Direct	KULA504	B
LA513 Direct	KULA463	B
LA514 Direct	KULA525	B
R520 Direct	KUR520	C
LA524 Direct	KULA525	B
LA524FL Direct	KULA525	B
LA525 Direct	KULA525	B
LA525FL Direct	KULA525	B
LA526 Direct	KULA525	B
LA534 Direct	KULA504	B
530 Direct	KM132	B
R530 Direct	KUR630D	D+295
M540 Direct	AO660	B
LA545 Direct	KULA545	B
LA555 Direct	KULA525	B
R630 Direct	KUR630D	D+295
R640 Direct	KUR640D	D+295
LA650 Direct	KULA650	B
LA680 Direct	KULA650	B
LA681 Direct	KULA650	B
LA682 Direct	KULA480	B
LB702 Direct	KULA480	B
LA703 Direct	KULA703	B
M740 Direct	AO660	B
TL720 Direct	KUL35	B
LA723 Direct	KULA723	B
LA724 Direct	KULA724	B
760 Direct	AO660	B
LA765 Direct	KULA765	B
790 Direct	KM132	B
795 Direct	KM132	B
796 Direct	KM132	B
BF800 Direct	KU800	B
LA805 Direct	KULA724	B
LA844 Direct	KULA724	B
850 Direct	KU850	B
LA852 Direct	KULA852	B
LA852-1 Direct	KULA852	B
LA853 Direct	KULA853	B
LA854 Direct	KULA724	B
890 Direct	KU890	B
900 Direct	KU900	B
BF900 Direct	KU900	B
LA950 Direct	KULA950	B
M1000 Direct	KUM1000	B
1001 Direct	KU1001	B
1002 Direct	KU1001	B
LA1055 Direct	KULA724	B
TL1150 Direct	KUTL1150	B
LA1153 Direct	KULA1153	B
LA1153E Direct	KULA1153	B
LA1154E Direct	KULA1153	B
LA1251 Direct	KU1251	B
TL1350 Direct	KUTL1350	B
LA1353EA Direct	KULA1153	B
LA1353E Direct	KULA1153	B
LA1403E Direct	KULA1153	B
M1410 Direct	CI510	B

LA1640A Direct	KU1640A	B
L1720 Direct	KUL1720	B
1810 Direct	KU1810	B
LA1854E Direct	KULA1153	B
LA1953E Direct	KULA1153	B
LA1954E Direct	KULA1153	B
LA1955E Direct	KULA1153	B
LA2254 Direct	KULA2254	B
LA2254E Direct	KULA2254	B
LA2255 Direct	KULA2254	B
LA2255E Direct	KULA2254	B
LM2605 Direct	KULM2605	D
M7500DT Direct	KU1810	B

Leon	Part #	Price Code
Quick Attach Mounts		
700 Qtach	LE700Q	B
800 Qtach	LE700Q	B
Direct To Loader Boom Mounts		
600 Direct	LE600	B
636 Direct	LE690	B
650 Direct	LE650	B
690 Direct	LE690	B
695 Direct	LE695	B
707 Direct	LE707	B

Liebherr	Part #	Price Code
Quick Attach Mounts		
L506 Qtach	JD244J	D+295
T41-7S ISO Qtach	JD244J	D+295
Direct To Loader Boom Mounts		
T36-7S Direct	LIT367S	D+531

Long	Part #	Price Code
5140M Direct	LG5140M	B

LS (Leading Solutions)	Part #	Price Code
Quick Attach Mounts		
LL1101 LS Style Qtach	LSLL1101Q	B
LL1102 Skidsteer Style Qtach	BO500	A
LL2102 Skidsteer Style Qtach	BO500	A
LL3106 Skidsteer Style Qtach	BO500	A
LL3110 Skidsteer Style Qtach	BO500	A
LL3112 Skidsteer Style Qtach	BO500	A
LL4104 Skidsteer Style Qtach	BO500	A
LL5102 Skidsteer Style Qtach	BO500	A
LL5106 Skidsteer Style Qtach	BO500	A
LL6200 Skidsteer Style Qtach	BO500	A
LL8100 Skidsteer Style Qtach	BO500	A

Direct To Loader Boom Mounts		
LL1101 Direct	LSLL1101D	B
LL2100 Direct	KIKL120	B
LL5102 Direct	LSLL5102	B
LL6100 Direct	LSLL5102	B
LL7100 Direct	LSLL7100	B

Mahindra	Part #	Price Code
Quick Attach Mounts		
Max 26L Skidsteer Qtach	BO500	A
75PL Skidsteer Qtach	BO500	A
105SL Skidsteer Qtach	BO500	A

Loader Order Mounting Codes

115 Skidsteer Qtach	BO500	A
116 Skidsteer Qtach	BO500	A
120 Skidsteer Qtach	BO500	A
1526L Skidsteer Qtach	BO500	A
2538L Skidsteer Qtach	BO500	A
2555L Skidsteer Qtach	BO500	A
2555CL Skidsteer Qtach	BO500	A
3550L Skidsteer Qtach	BO500	A
4550 4L Skidsteer Qtach	BO500	A
4565 2L Skidsteer Qtach	BO500	A
5545 4L Skidsteer Qtach	BO500	A
5565 2L Skidsteer Qtach	BO500	A
5565 4L Skidsteer Qtach	BO500	A

Direct To Loader Boom Mounts		
23L Direct	MH23L	B
max 24 Direct	MHMAX24	B
emax 25L Direct (single cylinder)	MHEM25L	B
emax 25L Direct (double cylinder)	MHEM25LS	B
emax 25L-S Direct	MHEM25LS	B
ML102 Direct	MHML102	B
ML105 Direct	MHML102	B
ML105 Self Levelling Direct	MHML105SL	B
ML106 Direct	MHML106	B
ML110 Direct	MHML106	B
ML115 Direct	MHML115	B
ML120 Direct	MHML120	B
ML130 Direct	MHML130	B
ML202 Direct	MHML202	B
ML205 Direct	MHML205	B
4550 Direct	MH4550	B
6075L Direct	MH6075L	B
9125CL Direct	MH9125CL	B

Manitou	Part #	Price Code
Quick Attach Mounts		
Manitou Qtach	MAQT	D
MT420 Qtach	MA523Q	D
MLT523 Qtach	MA523Q	D
MLAT533 Qtach	MA523Q	D
MLT625 Qtach	MA523Q	D
MLT840 Qtach	MAQT	D
MLT960 Qtach	MA960Q	D
MLT961 Qtach	MA960Q	D
MT 5519 Qtach	GEDY519	C

Direct To Loader Boom Mounts		
MT420H Direct	MAMT420H	D+295
MLT523 Direct	MA523D	D+295
MLA T516 75H Direct	MAMLAT51675	D+531
MLA T533 Direct	MAMLA533D	D+531
MLT625 Direct	MA625D	D+295
MLT630 Direct	MA630D	D+295
MLT732 Direct	MA732D	D+295

Massey Ferguson (Ag)	Part #	Price Code
Quick Attach Mounts		
L105E Skidsteer Qtach	BO500	A
DL125 Skidsteer Qtach	BO500	A
DL130 Pin Style Qtach	MFDL260	B
DL130 Skidsteer Qtach	BO500	A
DL135 Skidsteer Qtach	BO500	A
L135E Skidsteer Qtach	BO500	A

L210 Pin Style Qtach	MFDL260	B
L210 Skidsteer Qtach	BO500	A
236 Qtach	MF236	B
DL250 Pin Style Qtach	MFDL260	B
DL250 Skidsteer Qtach	BO500	A
DL260 Pin Style Qtach	MFDL260	B
DL260 Skidsteer Qtach	BO500	A
DL280 Hook Type Qtach	FNAO600	A
836 Qtach	MF236	B
911X Euro Qtach	AO600	A
911X Skidsteer Qtach	BO500	A
916X Euro Qtach	AO600	A
916X Skidsteer Qtach	BO500	A
921X Euro Qtach	AO600	A
921X Skidsteer Qtach	BO500	A
926X Euro Qtach	AO600	A
926X Skidsteer Qtach	BO500	A
930 Qtach	AO600	A
931X Euro Qtach	AO600	A
931X Skidsteer Qtach	BO500	A
935 Qtach	AO600	A
936X Skidsteer Qtach	BO500	A
946X Euro Qtach	AO600	A
940 Qtach	AO600	A
945 Qtach	AO600	A
950 Qtach	AO600	A
955 Qtach	AO600	A
965 Qtach	AO600	A
975 Qtach	AO600	A
985 Qtach	AO600	A
1036 Pin Style Qtach	MF1038	B
1038 Pin Style Qtach	MF1038	B
1040 Pin Style Qtach	MF1040	B
1040 Hook Type Qtach	FNAO600	A
1050 Qtach	FNAO600	A
1055 Hook Type Qtach	FNAO600	A
1055 Skidsteer Qtach	BO500	A
1060 Qtach	FNAO600	A
1065 Qtach	FNAO600	A
1070 Qtach	FNAO600	A
1080 Qtach	FNAO600	A
1090 Qtach	MF1090	B
1525 Qtach (pin style)	MF1525	B
1530 Qtach (universal Qtach)	BO500	A
1532 Qtach (universal Qtach)	BO500	A
FL1805 Skidsteer Qtach	BO500	A

Direct To Loader Boom Mounts		
SL44 Direct	MF1464	B
L80 Direct	MF1464	B
L90 Direct	MF1464	B
DL95 Direct	AO100C	B
L100 Direct	MF1466	B
L100E Direct	AO100C	B
DL100 Direct	MF2350	B
L105E Direct	MFL105E	B
DL120 Direct	AGSL46A	B
DL125 Direct	MFDL125	B
DL130 Direct	MFDL260	B
DL135 Direct	MFDL125	B
L135E Direct	MFL105E	B
L200 Direct	MFDL260	B
L210 Direct	MFDL260	B

Loader Order Mounting Codes

232 Direct	MF1040	B
235 Direct	MF235	B
236 Direct	MF236	B
246 Direct	MF246	B
DL250 Direct	MFDL260	B
256 Direct	MF256	B
DL260 Direct	MFDL260	B
DL280 Direct	MFDL280	B
300 Direct	MF300	B
836 Direct	MF236	B
848 Direct	MF246	B
884 Direct	MF884	B
911X Direct	AOX36	B
916X Direct	AOX36	B
920 Direct	AOQ55DM	B
921 Direct	AOQ55DM	B
921X Direct	AOX36	B
925 Direct	AOQ55DM	B
926 Direct	AOQ55DM	B
926X Direct	AOX36	B
930 Direct	AOQ55DM	B
931 Direct	AOQ55DM	B
931X Direct	AOX36	B
933 Direct	AOQ55DM	B
935 Direct	AOQ55DM	B
936 Direct	AOQ55DM	B
936X Direct	AOX36	B
938 Direct (2000-older)	MF938	B
938 Direct (2005-newer)	AOQ55DM	B
940 Direct	AOQ55DM	B
941X Direct	AOX36	B
941 Direct	AOQ55DM	B
945 Direct	AOQ55DM	B
946 Direct	AOQ55DM	B
946X Direct	AOX36	B
948 Direct (2000-older)	MF938	B
948 Direct (2005-newer)	AOQ55DM	B
949 Direct	AOQ55DM	B
950 Direct	AOQ55DM	B
951 Direct	AOQ55DM	B
951X Direct	AOX36	B
955 Direct	AOQ55DM	B
956 Direct (2005-newer)	AOQ55DM	B
956X Direct	AOX36	B
958 Direct	AOQ55DM	B
960 Direct	AOQ55DM	B
961 Direct	AOQ55DM	B
965 Direct	AOQ55DM	B
966 Direct	AOQ55DM	B
968 Direct	AOQ55DM	B
975 Direct	AOQ55DM	B
976 Direct	AOQ55DM	B
978 Direct	AOQ55DM	B
985 Direct	AOQ55DM	B
985X Direct	AOQ55DM	B
988 Direct	AOQ85	B
1016 Direct	MF1016	B
1032 Direct	MF1040	B
1040 Direct	MF1040	B
1048 Direct	MF1038	B
1050 Direct	MF1040	B
1055 Direct	MFDL260	B

1060 Direct	MF1038	B
1070 Direct	MFDL280	B
1080 Direct	MFDL280	B
1244 Direct	MF1464	B
1246 Direct	MF1466	B
1464 Direct	MF1464	B
1466 Direct	MF1466	B
1515 Direct	MF1464	B
1520 Direct	MF1464	B
1525 Direct	MF1525	B
1530 Direct	MFDL260	B
FL 1805 Direct	MFFLX2106	B
FLX 2106 Direct	MFFLX2106	B
2350 Direct	MF2350	B
FLX 2407 Direct	MFFLX2407	B
FL2611 Direct	MFDL125	B
FL2814 Direct	MFDL125	B
FL3522 Direct	AOQ55DM	B
FL3723 Direct	AOQ55DM	B
FL4125 Direct	AOQ55DM	B
FL4227 Direct	AOQ55DM	B
FL3615 Direct	AOQ55DM	B
FL3819 Direct	AOQ55DM	B
FL4121 Direct	AOQ55DM	B
FL4124 Direct	AOQ55DM	B
FL4327 Direct	AOQ55DM	B
FL4628 Direct	AOQ55DM	B
FL5033 Direct	AOQ55DM	B

Massey Ferguson (Industrial)	Part #	Price Code
30 Ind Direct	MF30	B
30B Ind Direct	MF30B	B
32 Ind Direct	MF32	B
32A Ind Direct	MF32A	B
34 Ind Direct	MF34	B
34A Ind Direct	MF34A	B
35A Ind Direct	MF35A	B
40 Direct	MF40	B
40 Ind Direct	MF40IND	B
40B Direct	MF40B	B
40E Direct	MF40E	B
50A Direct	MF50A	B
50C Ind Direct	MF50C	B
50E Ind Direct	MF50E	D
50EX Ind Direct	MF50E	D
50HX Ind Direct	MF50E	D
60 Ind Direct	MF60	B
99 Direct	MF100	C
100 Ind Direct	MF100	C
102 Ind Direct	MF102	B
200 Ind Direct	MF200	B
203 Ind Direct	MF102	B
640 Ind & Ferrec Direct	MF50E	D
650 Ind & Ferrec Direct	MF50E	D
660 Ind & Ferrec Direct	MF50E	D
740 Ind & Ferrec Direct	MF50E	D
2200 Ind Direct	MF2200	B

McCormick	Part #	Price Code
Quick Attach Mounts		
L435 Euro Qtach	AO600	A
L451 Euro Qtach	AO600	A

Loader Order Mounting Codes

L468 Euro Qtach	AO600	A
Direct To Loader Boom Mounts		
125C Direct	MC125C	B
130C Direct	MC130C	B
L140 Direct	AOQ55DM	B
L451 Direct	AOQ55DM	B
L435 Direct	AOQ55DM	B
L456 Direct	AOQ55DM	B
L468 Direct	AOQ55DM	B

Mecalac	Part #	Price Code
Quick Attach Mounts		
AX1000	MEAX1000	D+295

Merlo	Part #	Price Code
Quick Attach Mounts		
ZM2 Qtach	MERZM2	D+531
ZM2S Qtach	MERZM2S	D+767
ZM3 Qtach	MERZM3	D+531
ZM2&3 Qtach	MERZM23	D+649

Direct To Loader Boom Mounts		
P25.6 Direct	MERP256	D

New Holland (Ag)	Part #	Price Code
Quick Attach Mounts		
16LA Qtach	BO500	A
17LA Qtach	BO500	A
18LA Qtach	BO500	A
32LA Qtach	BO500	A
33LA Qtach	BO500	A
46LB Qtach	BO500	A
LW50 Qtach	NHLW50Q	D+531
LW50.B Qtach	NHLW50Q	D+531
LW50.B TC Skidsteer Qtach	BO500	A
52LA Qtach	BO500	A
52LB Qtach	BO500	A
52LC Qtach	BO500	A
56LB Qtach	AO600	A
62LB Qtach	AO600	A
72LA Qtach	FO7411Q	C
72LB Qtach	AO600	A
82LB Qtach	NH7614	C
84LB Qtach	NH7614	C
140TL Skidsteer Qtach	BO500	A
240TL Skidsteer Qtach	BO500	A
250TL Skidsteer Qtach	BO500	A
260TL Skidsteer Qtach	BO500	A
270TL Skidsteer Qtach	BO500	A
611TL Skidsteer Qtach	BO500	A
625TL Skidsteer Qtach	BO500	A
LM410 Qtach (Old style New Holland)	NHLM410Q	D
LM415A Qtach (JCB Qfit style)	JC530B	D
LM415A Qtach (Manitou Style)	MAQT	D
LM415A Qtach (Old style New Holland)	NHLM410Q	D
LM430 Qtach (JCB Qfit style)	JC530B	D
LM435A Qtach (JCB Qfit style)	JC530B	D
LM435A Qtach (Manitou Style)	MAQT	D
LM435A Qtach (Old style New Holland)	NHLM410Q	D
LM445A Qtach (JCB Qfit style)	JC530B	D
LM445A Qtach (Manitou Style)	MAQT	D
LM445A Qtach (Old style New Holland)	NHLM410Q	D

LM640 Qtach (JCB Qfit style)	JC530B	D
LM5.25 Qtach (Skidsteer Qtach)	BO500	A
LM5.25 Qtach (Manitou Style)	MAQT	D
LM5.25 Qtach (Old style New Holland)	NHLM410Q	D
LM6.28 Qtach (Manitou Style)	MAQT	D
LM6.28 Qtach (Old style New Holland)	NHLM410Q	D
LM6.32 Qtach (JCB Qfit style)	JC530B	D
LM6.32 Qtach (Manitou Style)	MAQT	D
LM6.32 Qtach (Old style New Holland)	NHLM410Q	D
LM6.35 Qtach (JCB Qfit style)	JC530B	D
LM6.35 Qtach (Manitou Style)	MAQT	D
LM6.35 Qtach (Old style New Holland)	NHLM410Q	D
LM7.35 Qtach (JCB Qfit style)	JC530B	D
LM7.35 Qtach (Manitou Style)	MAQT	D
LM7.35 Qtach (Old style New Holland)	NHLM410Q	D
LM7.42 Qtach (JCB Qfit style)	JC530B	D
LM7.42 Qtach (Manitou Style)	MAQT	D
LM7.42 Qtach (Old style New Holland)	NHLM410Q	D
TH7.42 Qtach (Manitou Style)	MAQT	D
TH7.42 Qtach (Old style New Holland)	NHLM410Q	D
TH7.42 Qtach (JCB Qfit style)	JC530B	D
LM9.35 Qtach (JCB Qfit style)	JC530B	D
LM9.35 Qtach (Manitou Style)	MAQT	D
LM9.35 Qtach (Old style New Holland)	NHLM410Q	D
TH9.35 Qtach (JCB Qfit style)	JC530B	D
TH9.35 Qtach (Manitou Style)	MAQT	D
TH9.35 Qtach (Old style New Holland)	NHLM410Q	D
800TL Series Qtach	AO600	A
LM840 Qtach (JCB Qfit style)	JC530B	D
LM850 Qtach (JCB Qfit style)	JC530B	D
LM860 Qtach (JCB Qfit style)	JC530B	D
LM5020 Qtach (Skidsteer Qtach)	BO500	A
LM5020 Qtach (Manitou Style)	MAQT	D
LM5020 Qtach (Old style New Holland)	NHLM410Q	D
LM5030 Qtach (Manitou Style)	MAQT	D
LM5030 Qtach (Old style New Holland)	NHLM410Q	D
LM5040 Qtach (Manitou style)	MAQT	D
LM5040 Qtach (Old style New Holland)	NHLM410Q	D
LM5060 Qtach (Manitou style)	MAQT	D
LM5060 Qtach (Old style New Holland)	NHLM410Q	D
LM5080 Qtach (Manitou style)	MAQT	D
LM5080 Qtach (Old style New Holland)	NHLM410Q	D
7614 Qtach	NH7614	C

Direct To Loader Boom Mounts		
10LA Direct	NH10LA	B
12LA Direct	NH12LA	B
14LA Direct	NH14LA	B
15LA Direct	NH14LA	B
16LA Direct	NH17LA	B
17LA Direct	NH17LA	B
18LA Direct	NH17LA	B
32LA SL Direct	NH32LA	B
32LA NSL Direct	NH32LANSL	B
32LC Direct	NH32LC	B
33LA SL Direct	NH32LA	B
33LA NSL Direct	NH32LANSL	B
52LA SL Direct	NH52LA	B
52LA NSL Direct	NH32LANSL	B
52LB Direct	CILX132	B
52LC Direct	NH32LC	B
56LB Direct	CILX162	B
62LB Direct	CILX162	B

Loader Order Mounting Codes

72LA Direct	NH72LA	B
72LB Direct	CILX162	B
84LB Direct	NH7614D	C
100LC Direct	NH100LC	B
100TL Direct	FO7308	B
110TL Direct	FO7308	B
140TL Direct	NH240TL	B
210TL Direct	NH10LA	B
235TL Direct	AO100C	B
240TL Direct	NH240TL	B
250TL Direct	NH250TL	B
260TL Direct	NH250TL	B
270TL Direct	NH250TL	B
550LU Direct	NH555LU	B
555LU Direct	NH555LU	B
615TL Direct	CIL540	B
616TL Direct	AOX36	B
620TL Direct	FO7310	B
621TL Direct	NH621TL	B
622TL Direct	AOX36	B
625TL Direct	CIL540	B
626TL Direct	AOX36	B
627TL Direct	AOX36	B
632TL Direct	AOX36	B
637TL Direct	AOX36	B
655TL Direct	CIL620	B
665TL Direct	CIL620	B
710LU Direct	CIL620	B
715LU Direct	CIL620	B
720LU Direct	CIL620	B
725LU Direct	CIL620	B
810TL Direct	AOQ55DM	B
815TL Direct	AOQ55DM	B
820TL Direct	AOQ55DM	B
825TL Direct	AOQ55DM	B
830TL Direct	AOQ55DM	B
835TL Direct	AOQ55DM	B
840TL Direct	AOQ55DM	B
845TL Direct	AOQ55DM	B
850TL Direct	AOQ55DM	B
855TL Direct	AOQ55DM	B
860TL Direct	AOQ55DM	B
LM5020 Direct	NHLM5020	D+295
LM6.28 Direct	NHLM628	D+295
LM6.32 Elite Direct	NHLM632E	D+531
LM6.32 Plus Direct	NHLM632P	D+531
TH6.32 Elite Direct	NHLM632E	D+531
TH6.32 Plus Direct	NHLM632P	D+531
LM6.35 Elite Direct	NHLM632E	D+531
LM6.35 Plus Direct	NHLM632P	D+531
LM7.35 Elite Direct	NHLM632E	D+531
LM7.35 Plus Direct	NHLM632P	D+531
LM7.42 Elite Direct	NHLM632E	D+531
TH7.42 Elite Direct	NHLM632E	D+531
LM9.35 Elite Direct	NHLM632E	D+531
LM9.35 Plus Direct	NHLM632P	D+531
TH9.35 Plus Direct	NHLM632P	D+531
7614 Direct	NH7614D	C

New Holland (Industrial)

Part #

Price Code

Quick Attach Mounts

LW50 Qtach	NHLW50Q	D+531
------------	---------	-------

LW50.B Qtach	NHLW50Q	D+531
LW50.B TC Skidsteer Qtach	BO500	A
W70C Hook Style Qtach	NHW80CQ	D+295
W70C Skidsteer Style Qtach	BO500	A
LW80.B TC Skidsteer Qtach	BO500	A
LW80.B Hook Style Qtach	NHLW80	D+531
W80C Hook Style Qtach	NHW80CQ	D+295
W80C Skidsteer Style Qtach	BO500	A
U80 FFC Qtach	CAFFC	D+295
U80B FFC Qtach	CAFFC	D+295
B90B FFC Qtach	CAFFC	D+295
LB90.B FFC Qtach	CAFFC	D+295
LW90 JRB Qtach	JRB416	D+531
B95 FFC Qtach	CAFFC	D+295
B95BTC FFC Qtach	CAFFC	D+295
B95BLR FFC Qtach	CAFFC	D+295
B95LR FFC Qtach	CAFFC	D+295
B110 FFC Qtach	CAFFC	D+295
B110B FFC Qtach	CAFFC	D+295
LB110.B FFC Qtach	CAFFC	D+295
LW110 JRB Qtach	JRB416	D+531
LW110.B JRB Qtach	JRB416	D+531
W110 JRB Qtach	JRB416	D+531
LW110.B TC JRB Qtach	JRB416	D+531
W110 TC JRB Qtach	JRB416	D+531
LW130 JRB Qtach	JRB416	D+531
LW130 TC JRB Qtach	JRB416	D+531
LW130.B JRB Qtach	JRB416	D+531
W130 JRB Qtach	JRB416	D+531
LW130.B TC JRB Qtach	JRB416	D+531
W130 TC JRB Qtach	JRB416	D+531
LW170 JRB Qtach	JRB416	D+531
LW170 TC JRB Qtach	JRB416	D+531
W170B JRB Qtach	JRB416	D+531
W170B TC JRB Qtach	JRB416	D+531
W170B TC JRB Qtach	JRB416	D+531
LW170.B JRB Qtach	JRB416	D+531
W170B JRB Qtach	JRB416	D+531
LW170.B TC JRB Qtach	JRB416	D+531
W170B TC JRB Qtach	JRB416	D+531
LW190 JRB Qtach	JRB418	D+531
LW190.B JRB Qtach	JRB418	D+531
W190B JRB Qtach	JRB418	D+531

Direct To Loader Boom Mounts

W50C Direct up to May 30/18	NHW80C	D+531
W50C Direct May 30/18 to current	CA321F	D+531
W60C Direct up to May 30/18	NHW80C	D+531
W60C Direct May 30/18 to current	CA321F	D+531
W70C Direct up to May 30/18	NHW80C	D+531
W70C Direct May 30/18 to current	CA321F	D+531
B75D Direct	FO575E	D
LB75 Ind Direct	FO575E	D
LB75.B Direct	FO575E	D
LV80 Direct	CA580L	D
U80 Direct	CA580L	D
U80B Direct	CA580L	D
U80C Direct	CA580L	D
W80C Direct up to May 30/18	NHW80C	D+531
W80C Direct May 30/18 to current	CA321F	D+531
B90B Direct	FO575E	D
B90B Direct	FO575E	D
LB90 Ind Direct	FO575E	D
LB90.B Direct	FO575E	D
LW90 Direct	NHLW110	D+295

Loader Order Mounting Codes

B95 Ind Direct	FO575E	D
B95B Direct	FO575E	D
B95BTC Direct	FO575E	D
B95C Direct	FO575E	D
B95CTC Direct	FO575E	D
B95D Direct	FO575E	D
B95TC Direct	NHB95TC	D
B95BTC Direct	FO575E	D
B95BLR Direct	FO575E	D
B95C Direct	FO575E	D
B95CLR Direct	FO575E	D
B95LR Direct	FO575E	D
LB95 Direct	FO575E	D
B110 Direct	FO575E	D
B110B Direct	FO575E	D
LB110.B Direct	FO575E	D
B110B Direct	FO575E	D
B110C Direct	FO575E	D
B110D Direct	FO575E	D
LB110 Ind Direct	FO575E	D
LW110 ZBAR Direct	NHLW110	D+295
LW110.B ZBAR Direct	NHW110B	D+295
W110 Direct	NHLW110	D+295
W110B ZBAR Direct	NHW110B	D+295
W110 TC Direct	CA521EXT	D+295
W110B TC Direct	CA521EXT	D+295
B115 Direct	NHB95TC	D
B115B Direct	FO575E	D
B115BTC Direct	FO575E	D
LB115 Ind Direct	NHLB115	D
LW130B TC Direct	CA621EXT	D+295
LW130B ZBAR Direct	CA621EZ	D+295
W130 ZBAR Direct	CA621EZ	D+295
W130B ZBAR Direct	CA621EZ	D+295
W130B TC Direct	CA621EXT	D+295
LB190 Ind Direct	FO575E	D
345D Ind Direct	FO345D	D

Pichon	Part #	Price Code
P126 Direct	PIP126	B

Reist	Part #	Price Code
Qtach	REQT	A

Schaeff	Part #	Price Code
821 Qtach	TX824	D+295

824 Qtach	TX824	D+295
831 Qtach	TX824	D+295
832 Qtach	TX824	D+295
SKL833 Qtach	TX844	D+295
844 Qtach	TX844	D+295
853 Qtach	TX844	D+295

Schaffer	Part #	Price Code
Quick Attach Mounts		
930 Qtach	SC930	D+295
2000 Series Qtach	SC3000	D
3000 Series Qtach	SC3000	D
4000 Series Qtach	SC4000	D
9000 Series Qtach	SC4000	D
9380 Qtach	SC930	D+295
9660T Qtach	SC9660T	D+295

Direct To Loader Boom Mounts		
2027 Direct	SC3350D	D+295
2028 Direct	SC3350D	D+295
2345 Direct	SC3350D	D+295
3350 Direct	SC3350D	D+295
3550T Direct	SC3550T	C
4360 Direct	SC4360D	D+295
4250Z Direct	SC5058Z	D+295
5058Z Direct	SC5058Z	D+295
5650Z Direct	SC5058Z	D+295
5680Z Direct	SC5058Z	D+295

Schwartz	Part #	Price Code
Quick Attach Mounts		
1020X Qtach	FO7310	B
1040 Qtach	FO7310	B

Direct To Loader Boom Mounts		
920 Direct	FO7310	B
940 Direct	FO7109	B
1250 Direct	FO770	B
1300 Direct	FO772	B
1400 Direct	FO772	B

Sky Trak	Part #	Price Code
6036 Qtach	ST8042	D+295
6042 Qtach	ST8042	D+295
8042 Qtach	ST8042	D+295
10042 Qtach	ST8042	D+295
10054 Qtach	ST8042	D+295

Smythe	Part #	Price Code
Qtach	SMQT	A

Steiner	Part #	Price Code
Steiner	ST430	C

Stoll	Part #	Price Code
Quick Attach Mounts		
FS10 Qtach	AO600	A
FZ10 Qtach	AO600	A
FS20 Qtach	AO600	A
FZ20 Qtach	AO600	A
F30 Qtach	AO600	A
FS30 Qtach	AO600	A
FZ30 Qtach	AO600	A
FS40 Qtach	AO600	A
FZ40 Qtach	AO600	A
FS50 Qtach	AO600	A
FZ50 Qtach	AO600	A
FS60 Qtach	AO600	A
FZ60 Qtach	AO600	A
FS80 Qtach	AO600	A
FZ80 Qtach	AO600	A

Direct To Loader Boom Mounts		
F4 Direct	STF30	B
F5 Direct	STF30	B
F8 Direct	STF30	B
FS8 Direct	STFZ10	B
FS8.1 Direct	STFZ10W	B
FZ8 Direct	STFZ10	B
FZ8.1 Direct	STFZ10W	B

Loader Order Mounting Codes

F10 Direct	STF30	B
FS10 Direct	STFZ10	B
FZ10 Direct	STFZ10	B
FZ10.1 Direct	STFZ10W	B
F15 Direct	STF30	B
FS20 Direct	STFZ10	B
FZ20 Direct	STFZ10	B
FZ20.1 Direct	STFZ10W	B
FS30 Direct	STFZ30	B
FZ30 Direct	STFZ30	B
FZ30.1 Direct	STFZ50W	B
F30 Direct	STF30	B
FS40 Direct	STFZ30	B
FS40.1 Direct	STFZ50W	B
FZ40 Direct	STFZ30	B
FZ45 Direct	STFZ30	B
FZ45.1 Direct	STFZ50W	B
FS50 Direct	STFZ30	B
FZ50 Direct	STFZ30	B
FZ50.1 Direct	STFZ50W	B
FS60 Direct	STFZ30	B
FZ60 Direct	STFZ30	B
FZ60.1 Direct	STFZ50W	B
FZ80.1 Direct	STFZ50W	B
FC150 Direct	STFC450	B
FC250 Direct	STFC450	B
FC350 Direct	STFC450	B
FC450 Direct	STFC450	B
FC550 Direct	STFC450	B
FE650 Direct	STF30	B
FE750 Direct	STF30	B
FE850 Direct	STF30	B

Takeuchi	Part #	Price Code
Quick Attach Mounts		
TW65 Qtach	TKTW65	D+295
TW80 Qtach	TKTW65	D+295
Direct To Loader Boom Mounts		
TW80 Direct	TKTW80D	D+531

Terex	Part #	Price Code
Quick Attach Mounts		
TX51-19 Qtach	TX5119	D
TX55-19 Qtach	TX5119	D
TL60 Skidsteer Qtach	BO500	A
TL65 Skidsteer Qtach	BO500	A
TX66-41 Qtach	TX5119	D
TL70 Skidsteer Qtach	BO500	A
TL80 Qtach	TX844	D+295
TL100 Qtach	TX844	D+295
TL120 Qtach	TX844	D+295
SKL160 Qtach	TXSKL160Q	D+295
SKL200 Qtach	TXSKL160Q	D+295
SKL260 Qtach	TXSKL160Q	D+295
SKS633 Qtach	TX824	D+295
SKS634 Qtach	TX824	D+295
TX760 Qtach	JRBE	D+295
SKL821 Qtach	TX824	D+295
SKL823 Qtach	TX824	D+295
SKL824 Qtach	TX824	D+295
SKL831 Qtach	TX824	D+295

SKL832 Qtach	TX824	D+295
SKL833 Qtach	TX844	D+295
SKL834 Qtach	TX844	D+295
SKL835 Qtach	TX844	D+295
SKL841 Qtach	TX844	D+295
SKL843 Qtach	TX844	D+295
SKL844 Qtach	TX844	D+295
SKL851 Qtach	TX844	D+295
SKL853 Qtach	TX844	D+295
SKL854 Qtach	TX844	D+295
SKL863 Qtach	TXSKL863Q	D+295
SKL873 SP Qtach	VOL50Q	D+295

Direct To Loader Boom Mounts		
51-19 Direct	TX5119D	D
TL 65 Direct	TXTL65	D
TL 70 Direct	TXTL65	D
TL 80 Direct	TXTL80	D
TL 100 Direct	TXTL100	D
TL 120 Direct	TXTL100	D
SKS 631 Direct	TXTL65	D
SKS 633 Direct	TXTL65	D
SKS 634 Direct	TXTL65	D
TX760 Direct	TX760B	D
SKL 821 Direct	TXTL65	D
SKL 823 Direct	TXTL65	D
SKL 824 Direct	TXTL65	D
SKL 831 Direct	TXTL65	D
SKL 832 Direct	TXTL65	D
SKL 833 Direct	TXTL80	D
SKL 834 Direct	TXTL80	D
SKL 835 Direct	TXTL100	D
SKL 841 Direct	TXTL100	D
SKL 843 Direct	TXTL100	D
SKL 844 Direct	TXTL100	D
SKL 851 Direct	TXTL100	D
SKL 853 Direct	TXTL100	D
SKL 854 Direct	TXTL100	D
TX860 Direct	TX760B	D
SKL 861 Direct	TXSKL861	D+531
SKL 861A Direct	TXSKL863	D+531
SKL 861B Direct	TXSKL863	D+531
SKL 863 Direct	TXSKL863	D+531
SKL 871 Direct	TXSKL863	D+531
SKL 873 Direct	TXSKL873	D+531
SKL 873 HL Direct	TXSKL863	D+531
SKL 877 Direct	TXSKL863	D+531

Tym	Part #	Price Code
Quick Attach Mounts		
TX25 Qtach	BO500	A
TX39H Qtach	BO500	A
TX55 Qtach	BO500	A
TX75 Qtach	BO500	A
TX105 Qtach	BO500	A
LT200 Qtach	BO500	A
LT300 Qtach	BO500	A
LT400 Qtach	TYMLT400	A
LT451 Qtach	TYMLT400	A
LT600 Qtach	TYMLT400	A
LT700 Qtach	TYMLT400	A
TX2000 Qtach	BO500	A

Loader Order Mounting Codes

Direct To Loader Boom Mounts		
T90 Direct	TYMT90	B
Universal		
Part #	Price Code	
UN9000 Direct	FRE8010	B
Valtra		
Part #	Price Code	
1080 Direct	A0675	B
Venieri		
Part #	Price Code	
5.63 Venieri Style Qtach (early models)	VE563QT	D+295
5.63 Venieri Style Qtach (later models)	VE763QT	D+295
7.63 Venieri Style Qtach	VE763QT	D+295
9.63 Venieri Style Qtach	VE763QT	D+295
Ventrac		
Part #	Price Code	
4500Y	ST430	C
Versatile		
Part #	Price Code	
Quick Attach Mounts		
256 Qtach	FO276	C
276 Qtach	FO276	C
NH7614 Qtach	NH7614	C
2360V Qtach	FO276	C
Direct To Loader Boom Mounts		
150 Direct	FO150	C
276 Direct	FO276D	C
Volvo		
Part #	Price Code	
Quick Attach Mounts		
L20 Ind Qtach	JC406	D+295
L25 Ind Qtach	JC406	D+295
L30 Ind Qtach	JD244J	D+295
L30B PRO Ind Qtach	JD244J	D+295
L35 Ind Qtach	JD244J	D+295
L35B PRO Ind Qtach	JD244J	D+295
L50 Ind Qtach	VOL50Q	D+295
L60 Ind Qtach	VOL50Q	D+295
BL70 Ind Qtach	VOL50Q	D+295
L70 Ind Qtach	VOL50Q	D+295
L90 Ind Qtach	VOL50Q	D+295
L110 Ind Qtach	VOL50Q	D+295
L120 Ind Qtach	VOL50Q	D+295
L150 Ind Qtach	VOL180Q	D+531
L180 Ind Qtach	VOL180Q	D+531
L220 Ind Qtach	VOL220Q	D+767
Direct To Loader Boom Mounts		
L45 Direct	VOL45D	D
BL70 Ind Direct	VOBL70	D
Wacker Neuson		
Part #	Price Code	
Quick Attach Mounts		
WL50 Hook Style Qtach	WNWL50	D+295
WL60 Hook Style Qtach	WNWL60	D+295
WL60 Skidsteer Qtach	BO500	A
WL95 Hook Style Qtach	VOL50Q	D+295
WL850 Hook Style Qtach	GE480	D+295
WL1150 Hook Style Qtach	GE680	D+295
Direct To Loader Boom Mounts		
8085T Direct	WN8085T	D+295
TH627 Direct	WNTH627	D+295

Weidemann	Part #	Price Code
Quick Attach Mounts		
1160 Qtach	WE1160	D+295
Direct To Loader Boom Mounts		
5080T Direct	WE5080TD	D+295
Westendorf		
Part #	Price Code	
Quick Attach Mounts		
WL-21 Qtach	WE20Q	B
WL-22 Qtach	WE20Q	B
WL-23 Qtach	WE20Q	B
VW-24 Qtach	WE20Q	B
TA-26 Qtach	WE20Q	B
WL-27 Qtach	WE20Q	B
WL-28 Qtach	WE20Q	B
TA-29 Qtach	WE20Q	B
WL-30 Qtach	WE40Q	B
WL-40 Qtach	WE40Q	B
WL-42 Qtach	WE40Q	B
WL-44 Qtach	WE40Q	B
TA-45 Qtach	WE40Q	B
TA-46 Qtach	WE40Q	B
TA-48 Qtach	WE40Q	B
WL-60 Qtach	WE40Q	B
WL-61 Qtach	WE40Q	B
WL-64 Qtach	WE40Q	B
TA-76 Qtach	WE70Q	B
TA-77 Qtach	WE70Q	B
WL-357 Qtach	WE40Q	B
XTA-400 Qtach	WE40Q	B
WL-457 Qtach	WE40Q	B
WL-467 Qtach	WE70Q	B
WL-576 Qtach	WE70Q	B
XTA-700 Qtach	WE70Q	B
Direct To Loader Boom Mounts		
WL21 Direct	WEWL21D	B
TA26 Direct	WETA26	B
White		
Part #	Price Code	
120 Direct	KM130	B
130 Direct	KM130	B
132 Direct	KM132	B
140 Direct	KM130	B
1170 Direct	WH1170	B
1514 Direct	WH1514	B
1522 Direct	WH1522	C
1524 Direct	WH1524	B
1534 Cockshutt Direct	KM130	B
1730 Direct	WH1730	B
Wille		
Part #	Price Code	
365 Qtach	WIKU500	D+295
Wilmar		
Part #	Price Code	
4500 Qtach	BO500	A
4550 Qtach	BO500	A
Woods		
Part #	Price Code	
Quick Attach Mounts		
LC96 Qtach	BO500	A
LC102 Qtach	BO500	A

Loader Order Mounting Codes

LC108 Qtach	BO500	A
110 Qtach	WO215	B
115 Qtach	WO215	B
200 Qtach	WO215	B
205 Qtach	WO215	B
210 Qtach	WO215	B
215 Qtach	WO215	B
255 Qtach	WO215	B
260 Qtach	WO215	B
275 Qtach	WO215	B
305 Qtach	WO215	B
310 Qtach	WO215	B
1016 Qtach	BO500	A
1020 Qtach	BO500	A
1027 Qtach	BO500	A

Direct To Loader Boom Mounts

LS84 Direct	WOLS84	B
LC96 Direct	WOLC96	C
LF138 Direct	WOLF138	B
LF156 Direct	WOLF138	B
1008 Direct	WO1008	B
1020 Direct	WO1020	B
1027 Direct	WO1020	B
3100 Direct	WO3100	B

Yanmar	Part #	Price Code
Quick Attach Mounts		
YL110 Qtach	YAYL210Q	B
YL210 Qtach	YAYL210Q	B
YL300 Qtach	YAYL300Q	B
YL310 Qtach	BO500	A
YL610 Qtach	BO500	A
V8 Terex Style Qtach	TX844	D+295
V8 ISO Style Qtach	JD244J	D+295
V10 Terex Style Qtach	TX844	D+295
V10 ISO Style Qtach	JD244J	D+295
V12 Terex Style Qtach	TX844	D+295
V12 ISO Style Qtach	JD244J	D+295

Direct To Loader Boom Mounts

V3 Direct	YANV45	D
V4-5 Direct	YANV45	D
V4-6 Direct	YANV45	D
V4-7 Direct	YANV45	D
YL110 Direct	YAYL210	B
YL210 Direct	YAYL210	B
CL300 Direct (2008 and earlier)	CCCL300	B
YL300 Direct	YAYL300D	B
YL610 Direct	YAYL610D	B
V8 Direct	TXTL80	D
V10 Direct	TXTL100	D
V12 Direct	TXTL100	D

Zetor	Part #	Price Code
Quick Attach Mounts		
FL-231-100 Qtach	AO600	A
FL-231-101 Qtach	AO600	A
ZL31 Qtach	AO600	A
ZX4.1P Qtach	AO600	A
Direct To Loader Boom Mounts		
ZX4.1P DM Direct	AOQ55DM	B

Skidsteer Order Mounting Codes

ASV	Part #	Price Code
Quick Attach Mounts		
RT25 Qtach	ASV30Q	B
RC30 Qtach	ASV30Q	B
RT40 Qtach	ASV30Q	B
RC50 Qtach	BO500	A
RC60 Qtach	BO500	A
Direct To Loader Boom Mounts		
RC30 Direct	ASV30D	B
RT30 Direct	TXPT30	C
RT40 Direct	TXPT30	C
PT50 Direct (#PTC02882-Current)	ASVSR70	C
RC50 Direct (0 - #RSC02286)	ASVRC50	B
RC50 Direct (#RSC02287 - END)	ASVSR70	C
PT60 Direct (#PTE02260-Current)	ASVSR70	C
RC60 Direct (#RSE01596-Current)	ASVSR70	C
PT70 Direct (#PTH00608-Current)	ASVSR70	C
SR70 Direct	ASVSR70	C
PT80 Direct (#PTI01082-Current)	ASVSR70	C
SR80 Direct (#SEA-SEB00101-Current)	ASVSR70	C
Baumalight		
Quick Attach Mounts		
TRL620D CII Qtach	RR800	A
TRL620D Mini Bobcat Qtach	BO463	A
TRL620Y CII Qtach	RR800	A
TRL620Y Mini Bobcat Qtach	BO463	A
WRL58G CII Qtach	RR800	A
WRL58G Mini Bobcat Qtach	BO463	A
Bobcat		
Quick Attach Mounts		
MT55 Mini Bobcat Qtach	BO463	A
MT100 CII Qtach	RR800	A
MT100 Mini Bobcat Qtach	BO463	A
S70 Mini Bobcat Qtach	BO463	A
440 Qtach	BO440	B
443 Qtach	BO440	B
450 Qtach	BO440	B
453 Qtach	BO440	B
463 Mini Bobcat Qtach	BO463	A
465 Qtach	BO500	A
500 thru 800 Series Qtach	BO500	A
943 Qtach	BO943	B
963-G Series Qtach	BO500	A
975 Qtach	BO975	B
985 Qtach	BO975	B
Direct To Loader Boom Mounts		
T140 Direct	BOT140	C
S150 Direct	BOT190	C
S160 Direct	BOT190	C
S175 Direct before 2003	BO773	C
S175 Direct after 2003	BOT190	C
T180 Direct	BOT190	C
S185 Direct before 2003	BO773	C
S185 Direct after 2003	BOT190	C
T190 Direct before 2003	BO773D	C
T190 Direct after 2003	BOT190	C
S205 Direct	BOT190	C
S250 Direct	BOS250	C

S570 Direct	BOS590	C
S590 Direct	BOS590	C
S650 Direct	BOS650	C
T750 Direct	BOT750	C
T770 Direct	BOT750	C
773 Direct (Double Cylinder)	BO773	C
825 Direct	BO825	C
S850 Direct	BOS850	C
873 Direct	BO873	C
943 Direct	BO953D	C
953 Direct	BO953D	C
975 Direct	BO975D	C

Bulldog	Part #	Price Code
B4230CS1 Qtach	BD4230CS1	A

Case IH	Part #	Price Code
Quick Attach Mounts		
TL100 CII Qtach	RR800	A
40XT Qtach	BO500	A
60XT Qtach	BO500	A
70XT Qtach	BO500	A
75XT Qtach	BO500	A
85XT Qtach	BO500	A
95XT Qtach	BO500	A
SR130 Qtach	BO500	A
SR150 Qtach	BO500	A
SR175 Qtach	BO500	A
SV185 Qtach	BO500	A
SR200 Qtach	BO500	A
SR220 Qtach	BO500	A
SR250 Qtach	BO500	A
SV250 Qtach	BO500	A
TR270 Qtach	BO500	A
SV300 Qtach	BO500	A
TR320 Qtach	BO500	A
TV380 Qtach	BO500	A
410 Qtach	BO500	A
420 Qtach	BO500	A
420CT Qtach	BO500	A
430 Qtach	BO500	A
435 Qtach	BO500	A
435CT Qtach	BO500	A
440 Qtach	BO500	A
440CT Qtach	BO500	A
445CT Qtach	BO500	A
445 Qtach	BO500	A
450 Qtach	BO500	A
450CT Qtach	BO500	A
465 Qtach	BO500	A
1530 Qtach	CI1530	B
1740 Qtach	CI1740	B
1816C Qtach	CI1816C	B
1818 ToolTach	CI1818T	B
1825 ToolTach	CI1818T	B
1830 ToolTach	CI1835T	B
1835 ToolTach	CI1835T	B
1838 Qtach	BO500	A
1840 Qtach	BO500	A
1840 ToolTach	CI1835T	B
1845 ToolTach	CI1845T	B
1845C Qtach	BO500	A

Skidsteer Order Mounting Codes

Direct To Loader Boom Mounts		
TL100 Direct	CITL100D	B
40XT Direct	CI40XT	B
60XT Direct	CI40XT	B
70XT Direct	CI40XT	B
75XT Direct	CI85XT	B
85XT Direct	CI85XT	B
90XT Direct	CI85XT	B
95XT Direct	CI85XT	B
SR130 Direct	CISR150	B
SR150 Direct	CISR150	B
SR175 Direct	CISV185	B
SV185 Direct	CISV185	B
SR200 Direct	CISV185	B
SR220 Direct	CISV185	B
SR250 Direct	CISV185	B
SV250 Direct	CISV185	B
TR270 Direct	CISV185	B
SV300 Direct	CISV185	B
TV380 Direct	CISV185	B
410 Direct	CI40XT	B
420 Direct	CI40XT	B
420CT Direct	CI40XT	B
430 Direct	CI40XT	B
435 Direct	CI85XT	B
435CT Direct	CI85XT	B
440 Direct	CI40XT	B
440CT Direct	CI40XT	B
445CT Direct	CI85XT	B
445 Direct	CI85XT	B
450 Direct	CI85XT	B
450CT Direct	CI85XT	B
465 Direct	CI85XT	B
1818 Direct	CI1818D	B
1825 Direct	CI1825D	B
1830 Direct	CI1835D	B
1835 Direct	CI1835D	B
1835B Direct	CI1835D	B
1835C Direct	CI1835D	B
1838 Direct	CI1838D	B
1840 Direct	CI1840D	B
1845 Direct	CI1845D	B
1845B Direct	CI1845D	B

Caterpillar	Part #	Price Code
Quick Attach Mounts		
All 200 Series Qtach	BO500	A
Direct To Loader Boom Mounts		
262C Direct	CA262C	C

Ford	Part #	Price Code
CL45 Qtach	TH133	B
CL55 Qtach	TH233	B

Gehl	Part #	Price Code
Quick Attach Mounts		
Avantage AL20 Qtach	GEAL20	A
R105 Qtach	BO500	A
R135 Qtach	BO500	A
R150 Qtach	BO500	A
R165 Qtach	BO500	A
R190 Qtach	BO500	A

R220 Qtach	BO500	A
R260 Qtach	BO500	A
V270 Qtach	BO500	A
V330 Qtach	BO500	A
V420 Qtach	BO500	A
1640 Qtach	BO463	A
3410 Qtach	GE3610	B
3510 Qtach	GE3610	B
3610 Qtach	GE3610	B
3615 Qtach	GE3610	B
3635 Qtach	BO500	A
SL3635 Qtach	BO500	A
3725 Qtach	GE3825	B
3825 Qtach	GE3825	B
3935 Qtach	BO500	A
SL3935 Qtach	BO500	A
4300 Qtach	GE4300	B
4510 Qtach	GE4610	B
4610 Qtach	GE4610	B
4615 Qtach	GE4610	B
4625 Qtach	BO500	A
4625 Qtach (Old Style)	GE4625	B
4635 Qtach	BO500	A
4635 Qtach (Old Style)	GE4625	B
4640 Qtach	BO500	A
4835 Qtach	BO500	A
4835 Qtach (Old Style)	GE4625	B
4840 Qtach	BO500	A
5620 Qtach	BO500	A
5620 Qtach (Old Style)	GE4625	B
5625 Qtach	BO500	A
5625 Qtach (Old Style)	GE4625	B
5635 Qtach	BO500	A
5635 Qtach (Old Style)	GE4625	B
5640 Qtach	BO500	A
6625 Qtach	BO500	A
6625 Qtach (Old Style)	GE4625	B
6635 DXT Qtach	BO500	A
6635 DXT Qtach (Old Style)	GE4625	B
6635 SXT Qtach	BO500	A
6635 SXT Qtach (Old Style)	GE4625	B
6640 Qtach	BO500	A

Direct To Loader Boom Mounts		
CTL80 Direct	GECTL80	D
R190 Direct	GER190	C
R220 Direct	GEV330	C
V270 Direct	GEV330	C
V330 Direct	GEV330	C
3310 Direct	GE3410D	B
3410 Direct	GE3410D	B
3510 Direct	GE3410D	B
3515 Direct	GE3410D	B
3610 Direct	GE3410D	B
3615 Direct	GE3410D	B
3640 Direct	GE4240D	B
3825 Direct	GE3825D	B
3840 Direct	GE4240D	B
3935 Direct	GE3935D	B
4240 Direct	GE4240D	B
4610 Direct	GE4610D	C
4625 Direct	GE4625D	C
4635 Direct	GE4840	C
4640 Direct	GE4840	C

Skidsteer Order Mounting Codes

4840 Direct	GE4840	C
4835 Direct	GE4840	C
5240 Direct	GE4840	C
5635 Direct	GE6640	C
5640 Direct	GE6640	C
6640 Direct	GE6640	C

Gravely	Part #	Price Code
Quick Attach Mounts		
200 DT CII Qtach	RR800	A

JCB	Part #	Price Code
Quick Attach Mounts		
165 Qtach	BO500	A
185 Qtach	BO500	A
1105 Qtach	BO500	A
1110 Qtach	BO500	A

Direct To Loader Boom Mounts		
160 Direct	JC160	D
170 Direct	JC160	D

John Deere	Part #	Price Code
Quick Attach Mounts		
240 Qtach	BO500	A
250 Qtach	BO500	A
260 Qtach	BO500	A
270 Qtach	BO500	A
280 Qtach	BO500	A
313 Qtach	BO500	A
315 Qtach	BO500	A
CT315 Qtach	BO500	A
317 Qtach	BO500	A
318D Qtach	BO500	A
319D Qtach	BO500	A
320 Qtach	BO500	A
320D Qtach	BO500	A
CT322 Qtach	BO500	A
323D Qtach	BO500	A
325 Qtach	BO500	A
326D Qtach	BO500	A
328 Qtach	BO500	A
328D Qtach	BO500	A
329D Qtach	BO500	A
332 Qtach	BO500	A
332D Qtach	BO500	A
CT332 Qtach	BO500	A
333D Qtach	BO500	A
375 Qtach	NH250	B
570 Qtach	NH455	B
575 Qtach	NH455	B
675 Qtach	NH555	B
675B Qtach	NH555	B
3375 Qtach	NH250	B
4475 Qtach	BO500	A
5575 Qtach	BO500	A
6675 Qtach	BO500	A
7775 Qtach	BO500	A
8875 Qtach	BO500	A

Direct To Loader Boom Mounts		
240 Direct	JD250	B
250 Direct	JD250	B

260 Direct	JD260S	B
270 Direct	JD260S	B
280 Direct	JD260S	B
317 Direct Serial# 0 - 114864	JD250	B
317 Direct Serial# 114865 - END	JD320	B
312GR Direct	JD317G	C
314G Direct	JD317G	C
316GR Direct	JD317G	C
317G Direct	JD317G	C
318D Direct	JD318D	B
318G Direct	JD317G	C
319D Direct	JD318D	B
320D Direct	JD318D	B
320 Direct Serial# 0 - 114864	JD250	B
320 Direct Serial# 114865 - END	JD320	B
CT322 Direct	JD320	B
323D Direct	JD318D	B
325 Direct	JD260S	B
326D Direct	JD326D	C
326E Direct	JD326D	C
328 Direct	JD260S	B
328D Direct	JD326D	C
328E Direct	JD326D	C
329D Direct	JD326D	C
329E Direct	JD326D	C
330G Direct	JD330G	C
332 Direct	JD260S	B
332D Direct	JD326D	C
332E Direct	JD326D	C
333D Direct	JD326D	C
333E Direct	JD326D	C
575 Direct	NH455D	C
6675 Direct	NH160	B

Komatsu	Part #	Price Code
Quick Attach Mounts		
CK35 Qtach	BO500	A
SK815 Qtach	BO500	A
SK820 Qtach	BO500	A

Direct To Loader Boom Mounts		
CK35 Direct	KOMCK35	C
SK815-5 Direct	KOMSK820	C
SK820-5 Direct	KOMSK820	C
SK1026-5 Direct	KOMSK1026	C

Kubota	Part #	Price Code
Quick Attach Mounts		
SCL1000 CII Qtach	RR800	A
SSV75 Qtach	BO500	A
SVL75 Qtach	BO500	A
SVL75-2 Qtach	BO500	A
SVL90 Qtach	BO500	A
SVL90-2 Qtach	BO500	A

Direct To Loader Boom Mounts		
SCL1000 Direct	KUSCL1000D	B
SSV75 Direct	KUSSV75	D
SVL75 Direct	KUSVL90	D

Manitou	Part #	Price Code
Quick Attach Mounts		
1050R Qtach	BO500	A

Skidsteer Order Mounting Codes

1350R Qtach	BO500	A
1500R Qtach	BO500	A
1650R Qtach	BO500	A
1900R Qtach	BO500	A
2200R Qtach	BO500	A
2600R Qtach	BO500	A
2700V Qtach	BO500	A
3300V Qtach	BO500	A
4200V Qtach	BO500	A

Direct To Loader Boom Mounts

1900R Direct	GER190	C
2200R Direct	GEV330	C
2700V Direct	GEV330	C
3300V Direct	GEV330	C

Mustang	Part #	Price Code
Quick Attach Mounts		
342 Qtach	MU442	C
345 Qtach	MU442	C
440 Qtach	MU442	C
441 Qtach	MU442	C
442 Qtach	MU442	C
445 Qtach	MU442	C
552 Qtach	MU442	C
930 Qtach	MU442	C
930A Qtach	MU442	C
940 Qtach	MU442	C
960 Qtach	MU442	C
1200 Qtach	MU442	C
1700 Qtach	MU442	C
2040 Mustang Qtach	MU442	C
2040 Universal Qtach	BO500	A
2050 Mustang Qtach	MU442	C
2050 Universal Qtach	BO500	A
2060 Mustang Qtach	MU442	C
2060 Universal Qtach	BO500	A
2070 Mustang Qtach	MU442	C
2070 Universal Qtach	BO500	A

Direct To Loader Boom Mounts

938 Direct	MU938	C
940 Direct	MU940	C
2054 Direct	MU2054	C

New Holland	Part #	Price Code
Quick Attach Mounts		
C314 CII Qtach	RR800	A
L35 Qtach	NH555	B
L120 Qtach	NH250	B
LS120 Qtach	NH250	B
L125 Qtach	NH250	B
LS125 Qtach	NH250	B
LS Series 140-190 Qtach	BO500	A
L213 Qtach	BO500	A
L215 Qtach	BO500	A
L216 Qtach	BO500	A
L218 Qtach	BO500	A
L220 Qtach	BO500	A
L223 Qtach	BO500	A
L225 Qtach (2011 & Newer)	BO500	A
C227 Qtach	BO500	A
L230 Qtach	BO500	A

C232 Qtach	BO500	A
C238 Qtach	BO500	A
L250 Qtach	NH250	B
L255 Qtach	NH250	B
L325 Qtach	NH455	B
L425 Qtach	NH455	B
L445 Qtach	NH455	B
L454 Qtach	NH455	B
L455 Qtach	NH455	B
L465 Qtach	BO500	A
LX465 Qtach	BO500	A
LX485 Qtach	BO500	A
L553 Qtach	NH555	B
L555 Qtach	NH555	B
L565 Qtach	BO500	A
LX565 Qtach	BO500	A
LX665 Qtach	BO500	A
L775 Qtach	NH555	B
L781 Qtach	NH555	B
L783 Qtach	NH555	B
L785 Qtach	NH555	B
L865 Qtach	BO500	A
LX865 Qtach	BO500	A
LX885 Qtach	BO500	A
LX985 Qtach	BO500	A

Direct To Loader Boom Mounts

C314 Direct	CITL100D	B
L35 Direct	NH785	C
L140 Direct	NH140	B
LS140 Direct	NH140	B
L150 Direct	NH140	B
LS150 Direct	NH140	B
L160 Direct	NH160	B
LS160 Direct	NH160	B
L170 Direct	NH160	B
LS170 Direct	NH160	B
C175 Direct	NH160	B
L175 Direct	NH160	B
L180 Direct	NH160	B
LS180 Direct	NH160	B
LS180.B Direct	NH160	B
L185 Direct	NH160	B
C190 Direct	NH160	B
L190 Direct	NH160	B
LS190 Direct	NH160	B
LS190.B Direct	NH160	B
L213 Direct	CISR150	B
L215 Direct	CISR150	B
L216 Direct	CISR150	B
L218 Direct	CISV185	B
L220 Direct	CISV185	B
L223 Direct	CISV185	B
L225 Direct (2011 & Newer)	CISV185	B
C227 Direct	CISV185	B
L228 Direct	CISV185	B
C232 Direct	CISV185	B
C238 Direct	CISV185	B
L230 Direct	CISV185	B
250 Direct	NH250D	B
455 Direct	NH455D	C
L465 Direct	NH140	B
LX465 Direct	NH140	B

Skidsteer Order Mounting Codes

LX485 Direct	NH140	B
553 Direct	NH555D	C
555 Direct	NH555D	C
LX565 Direct	NH160	B
LX665 Direct	NH160	B
L775 Direct	NH785	C
L781 Direct	NH785	C
L783 Direct	NH785	C
L784 Direct	NH785	C
L785 Direct	NH785	C
LX865 Direct	NH160	B
LX885 Direct	NH160	B
LX985 Direct	NH160	B

Ramrod	Part #	Price Code
800 CII Qtach	RR800	A
910 CII Qtach	RR800	A

Takeuchi	Part #	Price Code
TL10 Qtach	BO500	A

Terex	Part #	Price Code
Quick Attach Mounts		
RT25 Qtach	ASV30Q	B
PT30 Qtach	ASV30Q	B
R070T Qtach	ASV30Q	B

Direct To Loader Boom Mounts		
PT30 Direct (0 - DTA05000)	ASV30D	B
PT30 Direct (DTA05001 - END)	TXPT30	C
PT50 Direct (#03056-Current)	ASVSR70	C
PT60 Direct (#02662-Current)	ASVSR70	C
PT70 Direct (#DTH00682-Current)	ASVSR70	C
PT75 Direct (#01032-Current)	ASVSR70	C
PT80 Direct (#01310-Current)	ASVSR70	C

Thomas	Part #	Price Code
Quick Attach Mounts		
25GT CII Qtach	RR800	A
25GW CII Qtach	RR800	A
35DT CII Qtach	RR800	A
35DW CII Qtach	RR800	A
T95 Qtach	BO500	A
103S Qtach	BO500	A
T105 Qtach	BO500	A
T115 Qtach	BO500	A
133 Qtach	TH133	B
133S Qtach	BO500	A
135 Qtach	BO500	A
153 Qtach	BO500	A
170 Qtach	TH233	B
173 Qtach (Old Style)	TH233	B
173 Qtach (New Style)	BO500	A
175 Qtach	BO500	A
233 Qtach (Old Style)	TH233	B
233 Qtach (New Style)	BO500	A
243 Qtach	BO500	A
245 HDK Qtach	BO500	A
1220 Qtach	TH1220	B
Pro Tuff 1300 Qtach	BO500	A
Pro Tuff 2200 Qtach	BO500	A

Direct To Loader Boom Mounts		
133 Direct	TH133D	C
135 Direct	TH135D	C

Toro Dingo	Part #	Price Code
------------	--------	------------

Quick Attach Mounts		
TX525 CII Qtach	RR800	A

Direct To Loader Boom Mounts		
TX525 Direct	TORTX525	B

Vermeer	Part #	Price Code
S450TX CII Qtach	RR800	A
S650TX CII Qtach	RR800	A
S750TX CII Qtach	RR800	A
S800TX CII Qtach	RR800	A

Volvo	Part #	Price Code
Qtach	BO500	A

Wacker Neuson	Part #	Price Code
---------------	--------	------------

Quick Attach Mounts		
SM100 CII Qtach	RR800	A

Direct To Loader Boom Mounts		
SM100 Direct	WNSM100D	B

Yanmar	Part #	Price Code
S190R Qtach	BO500	A

Dealer: _____

Name: _____

Phone # _____

Fax # _____

Direct Pin-On Specs

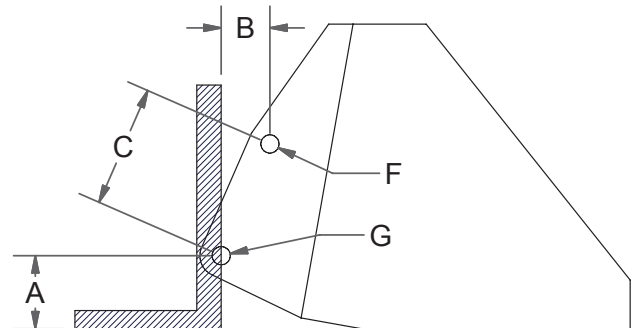
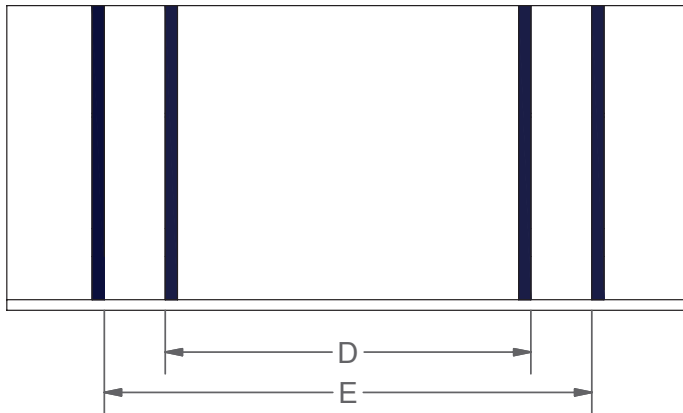
Note: Dimensions must be taken from loader/skidsteer bucket. The following measurements are required

Loader Model # _____

Please verify where your measurements were taken:

From loader bucket

From other attachment



a) Bottom pin to ground _____

b) Pin lead _____ Note: Pin lead must be taken 90° to ground or bottom of bucket

c) Pin centres _____

d) Inside hitchplates _____

e) Outside hitchplates _____

f) Top pin diameter _____

g) Bottom pin diameter _____

Distributed by:



Cummings and Bricker

Batavia NY
phone 585.343.5411

Carlisle PA
phone 717.249.6720

support@cummingsandbricker.com
www.cummingsandbricker.com

www.hlasnow.com