

---

# 6000 Series

## Table of Contents

---

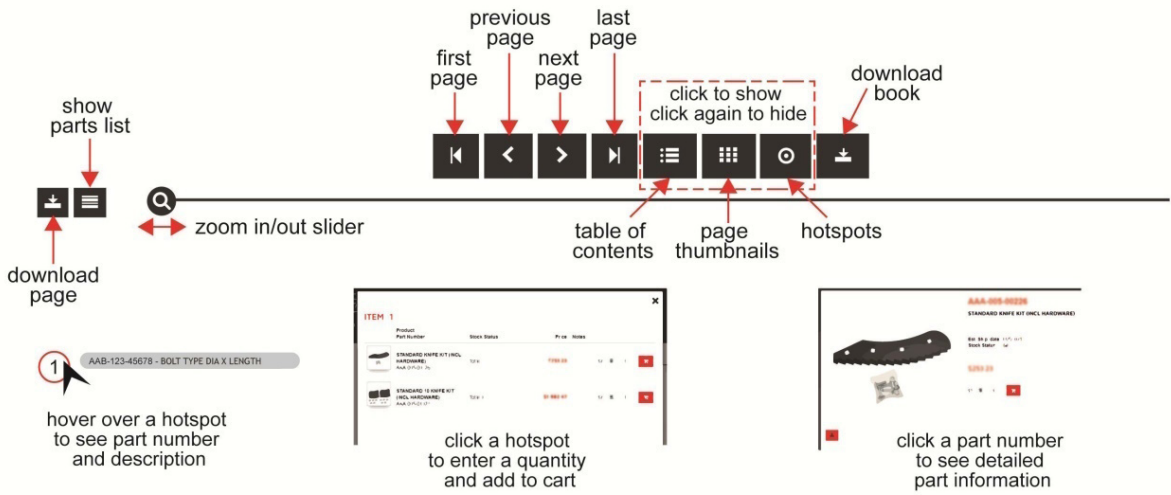
Book Page	Page Number
Title	
Title Page	4
Conveyors	
Conveyors - Overview	5
Conveyors - Kits	6
C-43W / C-72W - Overall Components	8
C-43W / C-72W - Wing Limiter	12
C-43W / C-72W - Hydraulic Kit Dual Remote	14
8FT Flat - Overall Components	15
9FT2 Flat - Overall Components	17
Slides - Overall Components	19
Drive Shaft and Cnvr Chute	21
Idler Shaft and Cnvr Chute	23
Discharge Accessories	
Discharge Accessories - Overview	25
Conveyor Chute	26
Feed Deflector	27
Rear Chute	28
Corner Chute	29
C-Side Chute	30
Front End	
Front End - Overview	31
Hood	32
Scale Arm	33

Standard Ladder Components	34
Standard Ladder Mount	35
6400 / 6600 Ladder Mount	37
Mechanical Jack	38
Hydraulic Jack	39
Hitch Options	40
<b>Drum</b>	
Drum Components - Overview	42
Front / Rear Door	43
Rear Door Shield	46
Corner Door and Shields	47
Corner Door - Hydraulics	50
Viewing Window	52
Restrictor Blade	53
Extensions	54
<b>Augers</b>	
Auger System - Overview	56
Slide Plate Auger	57
Standard Knives	59
Vertical Knives	60
Alexander Knives	61
<b>Driveline</b>	
Driveline & Power Transmission - Overview	62
Reservoir Kits	63
Grease Kit - Single Mixers	65
Grease Kit - Twin Mixers	66
Grease Kit - HD Mixers	67
Drive Kit - Singles	68
Drive Kit - Twins (Except 61250HD)	69
Straight Driveline - Non-HD and 6425AT	70
Straight Driveline - HD and 6850AT	71

2-Speed Driveline - Non-HD and 6425AT	73
2-Speed Driveline - HD and 6850AT	75
Accessories	
Road Accessories - Overview	77
Fenders	78
Safety Chains	79
Light bar Assembly	80

# 6000 Series - Trailers

## Parts Book Navigation:

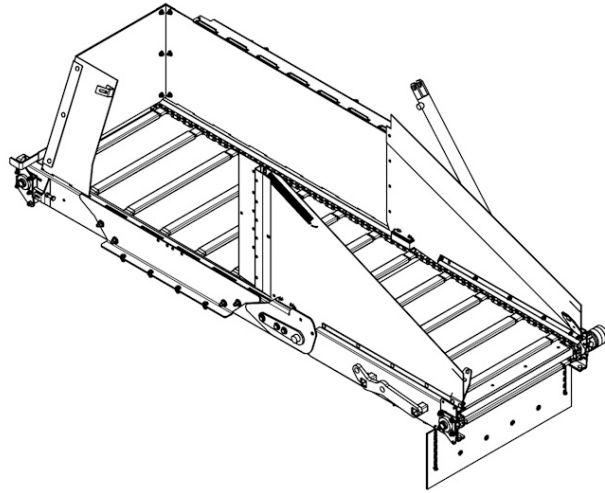


Pos	SKU	Description	Qty	Remark
-----	-----	-------------	-----	--------

# CONVEYORS

## CONVEYOR ASSEMBLIES, KITS, AND COMMON COMPONENTS

THIS SECTION COVERS WING, SLIDE, AND FIXED CONVEYORS, INCLUDING SHARED DRIVE SYSTEMS, MOUNTS, AND COMMON COMPONENTS.

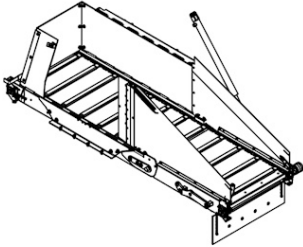


Pos	SKU	Description	Qty	Remark
-----	-----	-------------	-----	--------

# CONVEYORS KITS

## C-43W / C-72W

RH ASSY (FOR REFERENCE ONLY)



C-43W	
DISCHARGE	PART NUMBER
RIGHT HAND	1. AAA-006-02315-S2
LEFT HAND	2. AAA-006-02316-S2

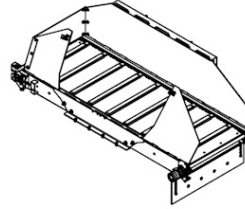
C-72W	
DISCHARGE	PART NUMBER
RIGHT HAND	3. AAA-006-02313-S2
LEFT HAND	4. AAA-006-02314-S2

-S2 KIT CONTENT:  
COMPLETE CONVEYOR ASSEMBLY INCLUDING HYDRAULICS AND MECHANICAL LIMITER. **TARP SHIELD NOT INCLUDED.**  
**TARP SHIELD KITS AVAILABLE BELOW.**

TARP SHIELD KIT	
APPLICABILITY	PART NUMBER
ALL MACHINES (EXCLUDE 6400 AND 6600)	5. AAA-006-02378
6400 AND 6600 ONLY	6. AAA-006-02393

## 8FT-FLAT

RH ASSY (FOR REFERENCE ONLY)

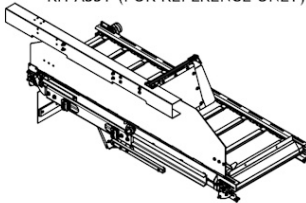


8FT - FLAT	
DISCHARGE	PART NUMBER
RIGHT HAND	12. AAA-006-02371-S2
LEFT HAND	13. AAA-006-02372-S2
DUAL	14. AAA-006-02373-S2

-S2 KIT CONTENT:  
COMPLETE CONVEYOR ASSEMBLY INCLUDING HYDRAULICS AND ALL REQUIRED PLASTIC SHIELDS.

## SLIDE CNVR

RH ASSY (FOR REFERENCE ONLY)



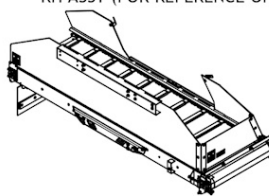
SLIDE	
DISCHARGE	PART NUMBER
RIGHT HAND	7. AAA-006-02368-S2
LEFT HAND	8. AAA-006-02369-S2
DUAL	9. AAA-006-02370-S2

-S2 KIT CONTENT:  
COMPLETE CONVEYOR ASSEMBLY INCLUDING HYDRAULICS. **PLASTIC SHIELDS NOT INCLUDED.**  
**PLASTIC SHIELD KITS LISTED BELOW.**

PLASTIC SHIELD KIT		
DISCHARGE	APPLICABILITY	PART NUMBER
RH / LH	ALL MACHINES	10. AAA-006-02361
DUAL	ALL MACHINES (EXCLUDE 6400 & 6600)	10. AAA-006-02361
DUAL	6400 & 6600 ONLY	11. AAA-006-02367

## 9FT-2 FLAT

RH ASSY (FOR REFERENCE ONLY)

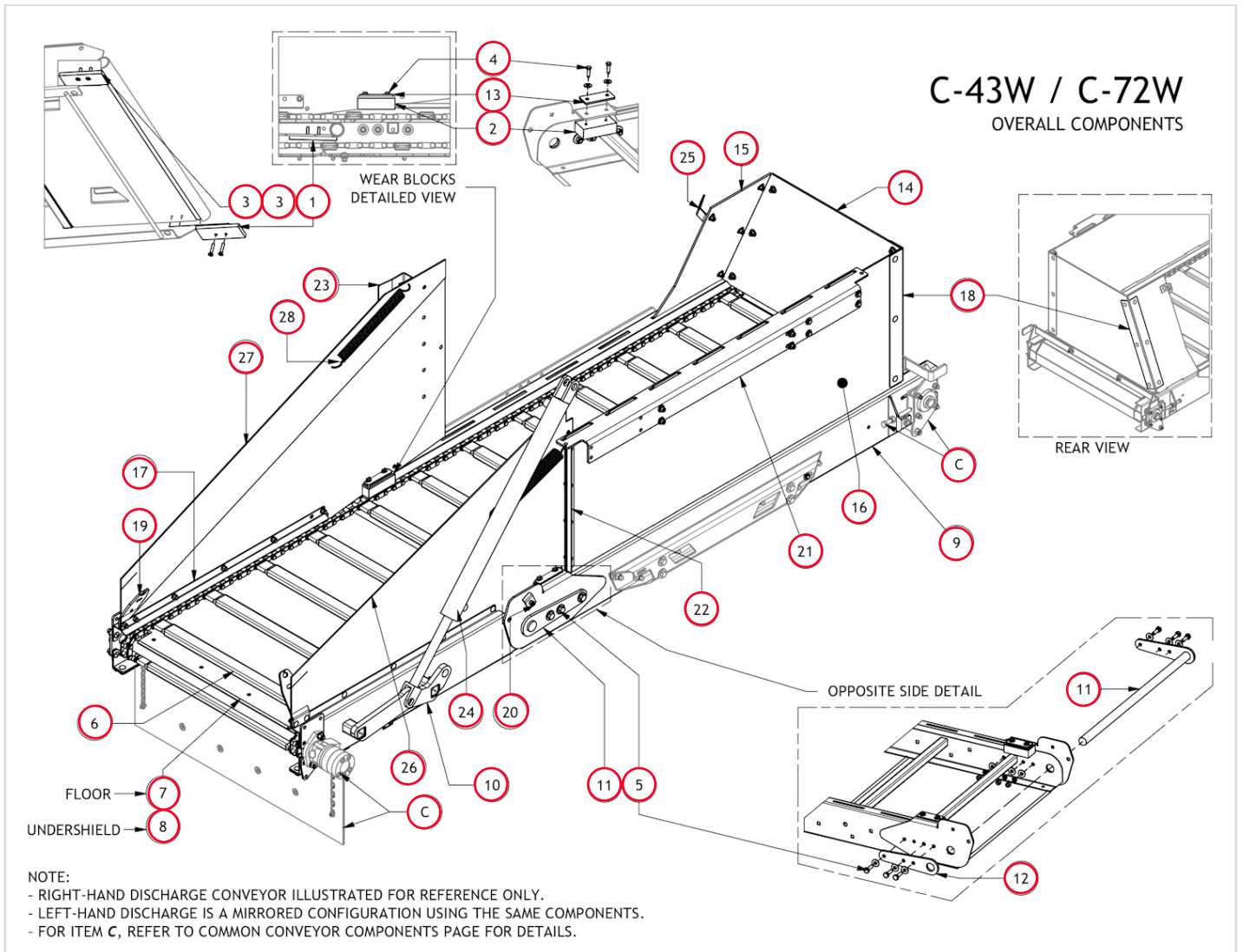


9FT2 - FLAT	
DISCHARGE	PART NUMBER
RIGHT HAND	15. AAA-006-02374-S2
LEFT HAND	16. AAA-006-02375-S2
DUAL	17. AAA-006-02376-S2

-S2 KIT CONTENT:  
COMPLETE CONVEYOR ASSEMBLY INCLUDING HYDRAULICS AND ALL REQUIRED PLASTIC SHIELDS.

Pos	SKU	Description	Qty	Remark
1	AAA-006-02315-S2	C43-W RH CNVR FINAL ASSY KIT 6K - SHIPPING KIT	1	
2	AAA-006-02316-S2	C43-W LH CNVR FINAL ASSY KIT 6K - SHIPPING KIT	1	
3	AAA-006-02313-S2	C72-W RH CNVR FINAL ASSY KIT 6K - SHIPPING KIT	1	
4	AAA-006-02314-S2	C72-W LH CNVR FINAL ASSY KIT 6K - SHIPPING KIT	1	
5	AAA-006-02378	WING CNVR TARP SHIELD KIT C43 6K	1	
6	AAA-006-02393	WING CNVR LOW PRO TARP SHIELD KIT C43 6K	1	
7	AAA-006-02368-S2	SLIDE CNVR FINAL ASSY KIT RH 6K - SHIPPING KIT	1	
8	AAA-006-02369-S2	SLIDE CNVR FINAL ASSY KIT LH 6K - SHIPPING KIT	1	
9	AAA-006-02370-S2	SLIDE CNVR FINAL ASSY KIT DD 6K - SHIPPING KIT	1	
10	AAA-006-02361	SLIDE CNVR GENERAL SHIELD KIT 6K	1	
11	AAA-006-02367	SLIDE CNVR LP SHIELD KIT 6K	1	
12	AAA-006-02371-S2	8FT FLAT CNVR FINAL ASSY KIT RH 6K - SHIPPING KIT	1	
13	AAA-006-02372-S2	8FT FLAT CNVR FINAL ASSY KIT LH 6K - SHIPPING KIT	1	

Pos	SKU	Description	Qty	Remark
14	AAA-006-02373-S2	8FT FLAT CNVR FINAL ASSY KIT DD 6K - SHIPPING KIT	1	
15	AAA-006-02374-S2	9FT2 FLAT CNVR FINAL ASSY KIT RH 6K - SHIPPING KIT	1	
16	AAA-006-02375-S2	9FT2 FLAT CNVR FINAL ASSY KIT LH 6K - SHIPPING KIT	1	
17	AAA-006-02376-S2	9FT2 FLAT CNVR FINAL ASSY KIT DD 6K - SHIPPING KIT	1	



Pos	SKU	Description	Qty	Remark
1	AAA-006-00068	WEAR PLT POLY	2	
2	AAA-006-00363	UPPR UHMW BLOCK	2	
3	AAB-015-10031	BOLT FLATHEAD TORX 5/16 X 1 3/4 UNC	4	
4	AAB-015-10598	BOLT LAG HEX 3/8 X 1-1/2 GALV	4	
4	AAB-015-30012	WSHR FLAT 3/8 USS	4	
5	AAB-015-10148	BOLT HEX 1/2-13 X 1-3/4L GRD 5	6	
5	AAB-015-20084	NUT HEX 1/2 UNC GRD 8	6	
5	AAB-015-30013	WSHR FLAT 1/2 USS	12	
5	AAB-015-30018	WSHR LOCK 1/2	6	
6	AAB-006-00090	APRON CHAIN C55 W WITH 86 LINKS BOXED SLATS FOR 6 72	1	C-72W APRON CHAIN KIT
6	AAB-006-00179	APRON CHAIN C55 W WITH 73 LINKS BOXED SLATS FOR 6 48	1	C-43W APRON CHAIN KIT
7	AAB-006-00225	WING CNVR FLAT FLOOR 6K	1	FLOOR FLAT SECTION – All models

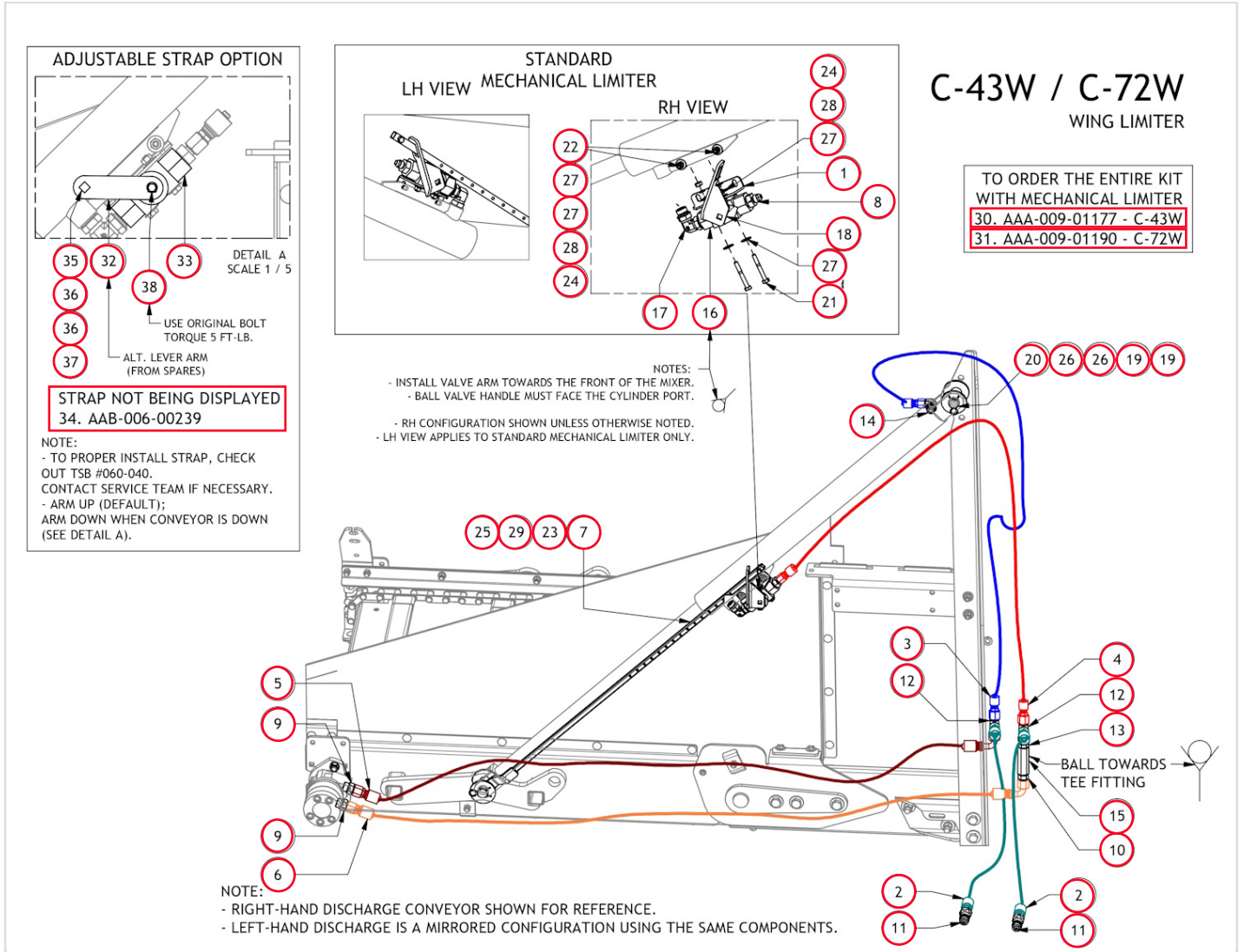
Pos	SKU	Description	Qty	Remark
7	AAB-006-00226	C43-W CNVR WING FLOOR 6K	1	FLOOR WING SECTION – C-43W
7	AAB-006-00232	C72-W CNVR WING FLOOR 6K	1	FLOOR WING SECTION – C-72W
7	AAB-015-10051	SCREW TORX FLRBOARD 1/4 X 1	8	
8	AAB-006-00227	WING CNVR FLAT UNDERSHIELD 6K	1	UNDERSHIELD - FLAT SECTION – All models
8	AAB-006-00228	C43-W CNVR WING UNDERSHIELD 6K	1	UNDERSHIELD - WING SECTION – C-43W
8	AAB-006-00233	C72-W CNVR WING UNDERSHIELD 6K	1	UNDERSHIELD - WING SECTION – C-72W
9	AAA-006-02249	WING CNVR FLAT WELDMENT 6K GALV	1	C-43W / C-72W FLAT GALV. ASSEMBLY
10	AAA-006-02258	C72-W WING WELDMENT 6K GALV	1	C-72W WING GALV. ASSEMBLY
10	AAA-006-02269	C43-W WING WELDMENT 6K GALV	1	C-43W WING GALV. ASSEMBLY
11	AAA-006-02272	WING CNVR PIVOT BAR WELDMENT 6K GALV	1	
12	AAA-006-02274	WING CNVR PIVOT HOLDING PLATE 3/8T 6K GALV	1	
13	AAB-006-00237	CNVR TARP HOLD-DOWN HDPE 6K	2	
14	AAB-006-00229	WING CNVR REAR SHIELD 6K	1	
15	AAB-006-00230	WING CNVR DRUM SHIELD 6K	1	
16	AAB-006-00231	WING CNVR FRONT SHIELD 6K	1	
17	AAA-006-02295	C43-W CNVR SHIELD CLAMP CHAIN GUARD 1/8T 6K GALV	2	C-43W ONLY
17	AAA-006-02300	C72-W CNVR SHIELD CLAMP CHAIN GUARD 6K GALV	2	C-72W ONLY
17	AAB-015-10028	BOLT CARRIAGE 3/8-16 X 1 GRD 5	20	
17	AAB-015-20017	NUT HEX 3/8 UNC GRD 2	20	
17	AAB-015-30017	WSHR LOCK 3/8	20	
18	AAA-006-02287	WING CNVR FRONT CORNER SHIELD BRKT 6K GALV	2	
18	AAB-015-10028	BOLT CARRIAGE 3/8-16 X 1 GRD 5	12	
18	AAB-015-20012	NUT HEX LOCK NYLON 3/8 GRD 2	12	
18	AAB-015-30012	WSHR FLAT 3/8 USS	12	
19	AAA-006-02309	WING CNVR END TARP MOUNT 6K GALV	2	
19	AAB-015-10060	BOLT CARRIAGE 3/8 X 1-1/4 UNC GRD 2	4	

Pos	SKU	Description	Qty	Remark
19	AAB-015-20012	NUT HEX LOCK NYLON 3/8 GRD 2	4	
20	AAA-002-00343	CLIP HYD HOSE ZINC	2	
20	AAB-015-10171	BOLT CARRIAGE 3/8 X 1-3/4 UNC GRD 5	2	
20	AAB-015-20012	NUT HEX LOCK NYLON 3/8 GRD 2	2	
21	AAA-006-02289	WING CNVR SHIELD SUPP LADDER BRKT 6K GALV	1	
21	AAB-015-10111	BOLT HEX 3/8 X 1-1/4 UNC GRD 5	16	
21	AAB-015-20017	NUT HEX 3/8 UNC GRD 2	16	
21	AAB-015-30012	WSHR FLAT 3/8 USS	32	
22	AAA-006-02303	WING CNVR FRONT SHIELD TARP CLAMP 1/8T 6K GALV	1	
22	AAB-015-10028	BOLT CARRIAGE 3/8-16 X 1 GRD 5	4	
22	AAB-015-20012	NUT HEX LOCK NYLON 3/8 GRD 2	4	
22	AAB-015-30012	WSHR FLAT 3/8 USS	4	
23	AAA-006-02308	WING CNVR DRUM TARP CLAMP 6K GALV	1	ALL MODELS (EXCEPT 6400 AND 6600)
23	AAA-006-02395	WING CNVR DRUM TARP LP CLAMP 6K GALV	1	6400 AND 6600 ONLY
24	AAB-009-01076	HYD CYL WELDED 28 IN STROKE X 2 IN BORE 1.25 NITRIDE RODE SAE #8 PORTS	1	
25	AAA-006-02323	DRUM BRACE BRTK 6K - 1/8T - GALV.	1	
25	AAB-015-10028	BOLT CARRIAGE 3/8-16 X 1 GRD 5	1	
25	AAB-015-20012	NUT HEX LOCK NYLON 3/8 GRD 2	1	
25	AAB-015-30012	WSHR FLAT 3/8 USS	1	
26	AAA-006-02317	C43-W FRONT TARP SHIELD 6K	1	C-43W - FRONT SIDE TARP
26	AAA-006-02319	C72-W FRONT TARP SHIELD 6K	1	C-72W - FRONT SIDE TARP
27	AAA-006-02318	C43-W DRUM TARP SHIELD 6K	1	C-43W - DRUM SIDE TARP - ALL MODELS (EXCEPT 6400 AND 6600)
27	AAA-006-02320	C72-W DRUM TARP SHIELD 6K	1	C-72W - DRUM SIDE TARP - ALL MODELS (EXCEPT 6400 AND 6600)
27	AAA-006-02396	C43-W LP DRUM TARP SHIELD 6K	1	C-43W - DRUM SIDE TARP - 6400 AND 6600 ONLY
27	AAA-006-02397	C72-W LP DRUM TARP SHIELD 6K	1	C-72W - DRUM SIDE TARP - 6400 AND 6600 ONLY

---

<b>Pos</b>	<b>SKU</b>	<b>Description</b>	<b>Qty</b>	<b>Remark</b>
28	AAB-006-00240	CNVR TARP SPRING	2	

---

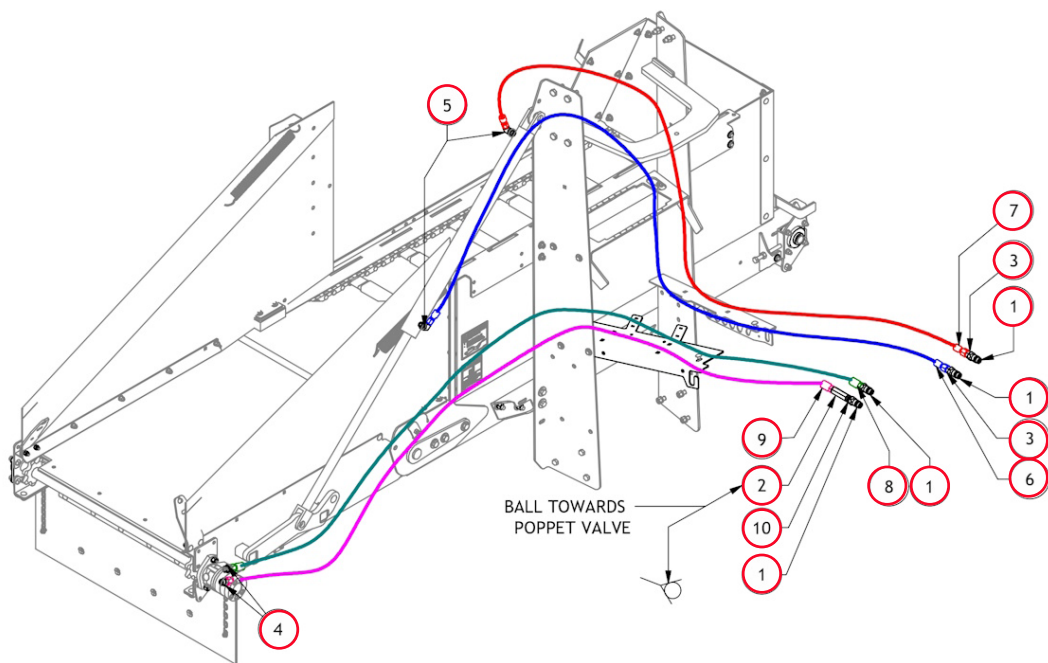


Pos	SKU	Description	Qty	Remark
1	AAA-009-01173-P3	CYLINDER VLV ADJ PLT 6K CNVR PAINTED BLACK	1	
2	AAA-009-01179	HOSE HYD 1/2DIA DOUBLE BRAID 8 MORB X 8 FJIC SWIVEL 86L	2	
3	AAA-009-01181	HOSE HYD 3/8DIA DOUBLE BRAID 6 FJIC SWIVEL X 8 FJIC SWIVEL 56L	1	
4	AAA-009-01182	HOSE HYD 3/8DIA DOUBLE BRAID 6 FJIC SWIVEL X 8 FJIC SWIVEL 82L	1	
5	AAA-009-01183	HOSE HYD 1/2DIA DOUBLE BRAID 8 FJIC SWIVEL X 8 FJIC 90 DEG SWIVEL 63L	1	
6	AAA-009-01184	HOSE HYD 1/2DIA DOUBLE BRAID 8 FJIC SWIVEL X 8 FJIC 90 DEG SWIVEL 65L	1	
7	AAA-009-01188W	CNVR WING LIMITER POSITION BAR WELDMENT	1	
8	AAB-009-00074	FIT ADPT 6 MJIC X 8 MORB	1	
9	AAB-009-00080	FIT ADPT 8 MJIC X 10 MORB	2	
10	AAB-009-00087	FIT ADPT 8 MJIC X 8 MORB	1	
11	AAB-009-00322	FIT ADPT 8 MQDC X 8 FORB POPPET STYLE	2	
12	AAB-009-00340	FIT TEE 8 MJIC X 8 MJIC X 8MJIC	2	
13	AAB-009-00341	FIT ADPT 8 FJIC X 8 MORB	1	

Pos	SKU	Description	Qty	Remark
14	AAB-009-00352	FIT 90DEG 6 MJIC X 8 MORB ADJ	1	
15	AAB-009-01003	CHECK VALVE 8 FORB X 8 FORB 65 PSI	1	
16	AAB-009-01083	HYDAC STROKE LIMITER VALVE	1	
17	AAB-009-01084	FIT 90DEG 8 MORB ADJ X 8 MORB ADJ	1	
18	AAB-009-01091	CNVR WING LIMITER ARM	1	
19	AAB-015-00008	STANDARD HAIR PIN FOR 1 IN DIA PINS	4	
20	AAB-015-00047	CLEVIS PIN 1"DIA 3"L	2	
21	AAB-015-10126	BOLT HEX 1/4 X 2 UNC GRD 5	2	
22	AAB-015-10220	BOLT HEX 1/4 X 1 UNC GRD 5	2	
23	AAB-015-10604	BOLT HEX #8-32 X 3/4L SS TALL HEAD	1	
24	AAB-015-20036	NUT HEX 1/4 UNC GRD 5	4	
25	AAB-015-20151	NUT HEX #8-32 SS TALL	1	
26	AAB-015-30009	WSHR FLAT 1-1/16 ID X 2-1/2 OD X 1/8 T	4	
27	AAB-015-30025	WSHR FLAT 1/4 USS	8	
28	AAB-015-30038	WSHR LOCK 1/4	4	
29	AAB-015-30108	WSHR LOCK #8	1	
30	AAA-009-01177	WING CNVR C43 HYDRAULIC KIT WING LIMITER 6K	1	C-43W
31	AAA-009-01190	WING CNVR C72 HYDRAULIC KIT WING LIMITER 6K	1	C-72W
32	AAA-006-02404	CNVR WING VALVE ARM REPLACEMENT 6K CNVR	1	
33	AAB-009-01083	HYDAC STROKE LIMITER VALVE	1	
34	AAB-006-00239	CNVR VALVE ADJ STRAP	1	
35	AAB-015-10036	BOLT HEX 5/16 X 1 UNC GRD 5	1	
36	AAB-015-30011	WSHR FLAT 5/16 USS	2	
37	AAB-015-20035	NUT HEX LOCK NYLON 5/16-18	1	
38	AAB-015-10752	BOLT HEX FLANGE M5 X 15 - 8.8 - FULL THREAD - ZINC YELLOW	1	

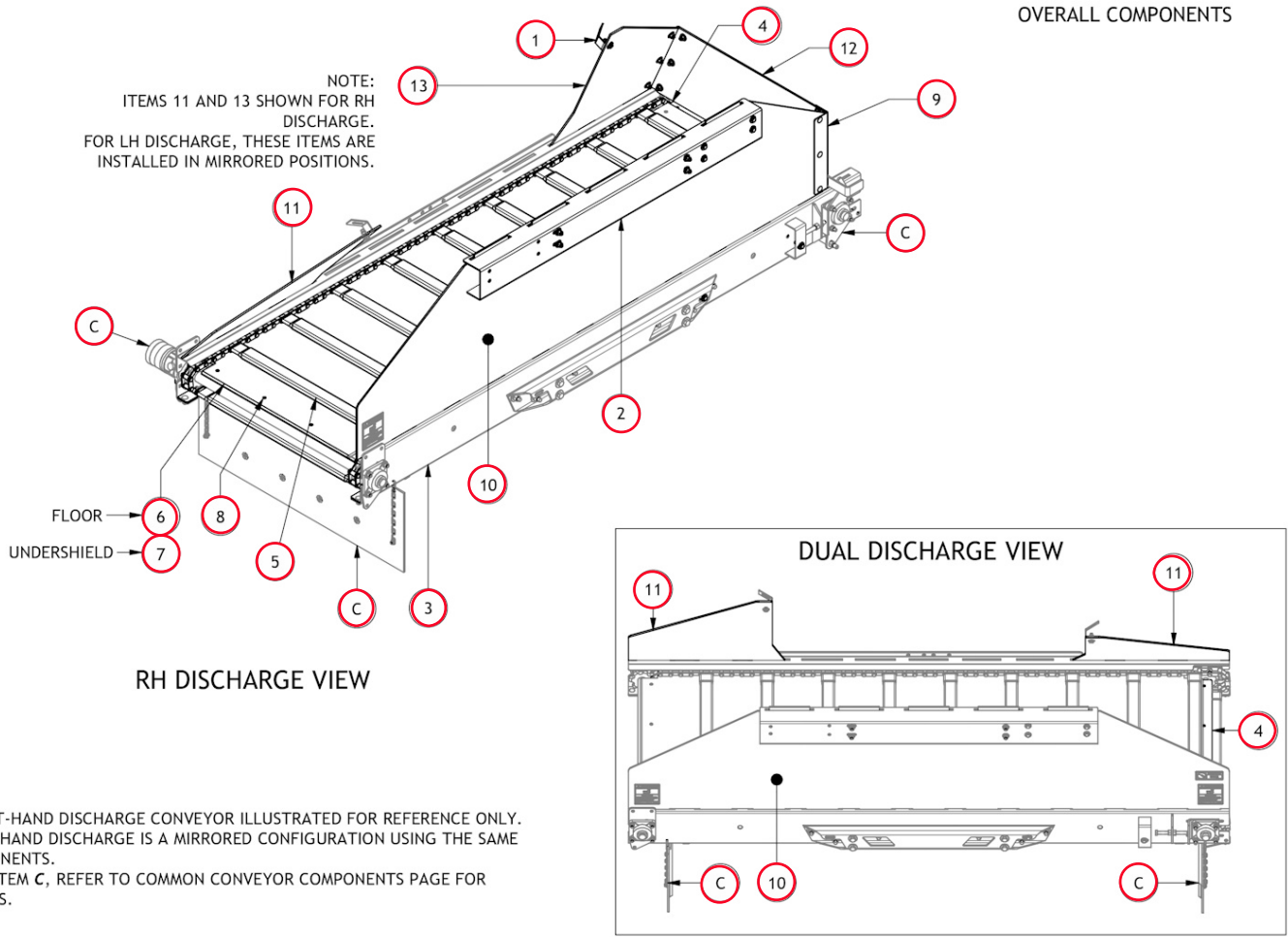
**C-43W / C-72W**  
HYDRAULIC KIT DUAL REMOTE

TO ORDER THE ENTIRE KIT  
 11. AAA-009-01178 - C-43W  
 12. AAA-009-01191 - C-72W



Pos	SKU	Description	Qty	Remark
1	AAB-009-00322	FIT ADPT 8 MQDC X 8 FORB POPPET STYLE	4	
2	AAB-009-01003	CHECK VALVE 8 FORB X 8 FORB 65 PSI	1	
3	AAB-009-00087	FIT ADPT 8 MJIC X 8 MORB	2	
4	AAB-009-00080	FIT ADPT 8 MJIC X 10 MORB	2	
5	AAB-009-00352	FIT 90DEG 6 MJIC X 8 MORB ADJ	2	
6	AAA-009-01195	HOSE HYD 3/8DIA DOUBLE BRAID 6 FJIC X 8 FJIC SWIVEL 173L	1	
7	AAA-009-01194	HOSE HYD 3/8DIA DOUBLE BRAID 6 FJIC X 8 FJIC SWIVEL 142L	1	
8	AAA-009-01196	HOSE HYD 1/2DIA DOUBLE BRAID 8 MORB X 8 FJIC SWIVEL 149L	1	
9	AAA-009-01197	HOSE HYD 1/2DIA DOUBLE BRAID 8 MORB X 8 FJIC SWIVEL 156L	1	
10	AAB-009-00695	FIT ADPT 08 MAORB X 08 MORB	1	
11	AAA-009-01178	WING CNVR C43 HYDRAULIC KIT DUAL REMOTE 6K	1	
12	AAA-009-01191	WING CNVR C72 HYDRAULIC KIT DUAL REMOTE 6K	1	

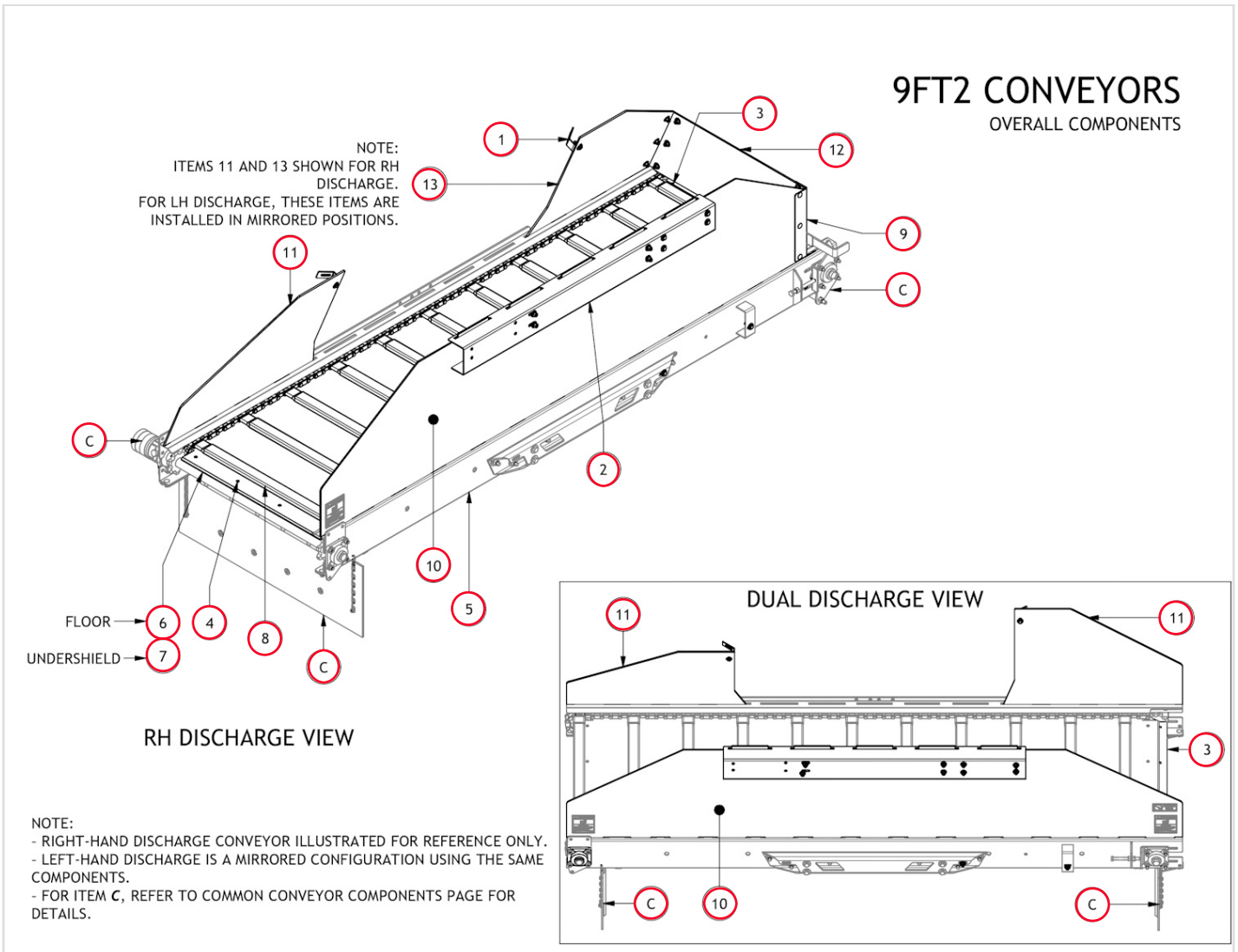
## 8FT CONVEYORS OVERALL COMPONENTS



Pos	SKU	Description	Qty	Remark
1	AAA-006-02323	DRUM BRACE BRTK 6K - 1/8T - GALV.	1	
1	AAB-015-10028	BOLT CARRIAGE 3/8-16 X 1 GRD 5	1	
1	AAB-015-20012	NUT HEX LOCK NYLON 3/8 GRD 2	1	
1	AAB-015-30012	WSHR FLAT 3/8 USS	1	
2	AAA-006-02358	FLAT CNVR FRONT SHIELD MOUNT 6K 1/8T GALV	1	
2	AAB-015-10111	BOLT HEX 3/8 X 1-1/4 UNC GRD 5	8	
2	AAB-015-20017	NUT HEX 3/8 UNC GRD 2	10	
2	AAB-015-30012	WSHR FLAT 3/8 USS	16	
2	AAB-015-30017	WSHR LOCK 3/8	8	
3	AAA-006-02325	8FT FLAT CNVR WELDMENT 6K GALV	1	
4	AAA-006-02337	CNVR FLR EXT 6K 1/4T GALV	1	
5	AAB-006-00088	APRON CHAIN C55 W WITH 58 LINKS BOXED SLATS FOR 8FT	1	
6	AAB-006-00248	8FT FLAT CNVR FLOOR 6K	1	
7	AAB-006-00251	8FT FLAT CNVR UNDERSHIELD 6K	1	
8	AAB-015-10051	SCREW TORX FLRBOARD 1/4 X 1	8	

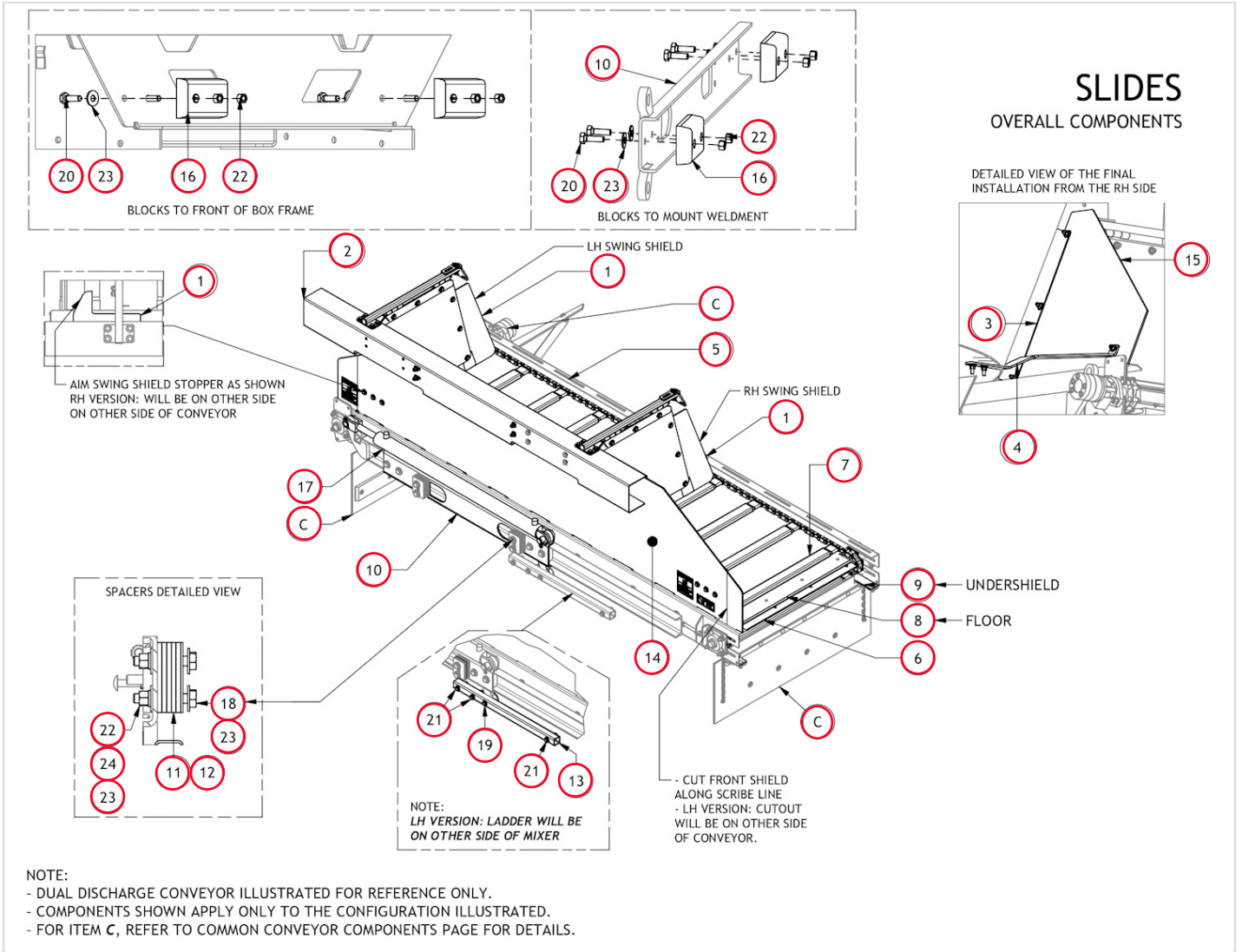
Pos	SKU	Description	Qty	Remark
9	AAA-006-02398	FLAT CNVR SD CORNER SHIELD BRKT 1/8T 6K GALV	2	
9	AAB-015-10028	BOLT CARRIAGE 3/8-16 X 1 GRD 5	12	
9	AAB-015-20012	NUT HEX LOCK NYLON 3/8 GRD 2	12	
9	AAB-015-30012	WSHR FLAT 3/8 USS	12	
10	AAB-006-00249	8FT FLAT CNVR FRONT SHIELD 6K	1	
11	AAB-006-00250	8FT FLAT CNVR DRUM SHIELD 6K	1	
12	AAB-006-00259	FLAT CNVR SD REAR SHIELD 6K	1	
13	AAB-006-00260	8FT FLAT CNVR SD DRUM SHIELD 6K	1	

### 9FT2 CONVEYORS OVERALL COMPONENTS



Pos	SKU	Description	Qty	Remark
1	AAA-006-02323	DRUM BRACE BRTK 6K - 1/8T - GALV.	1	
1	AAA-006-02358	FLAT CNVR FRONT SHIELD MOUNT 6K 1/8T GALV	1	
1	AAB-015-10028	BOLT CARRIAGE 3/8-16 X 1 GRD 5	1	
1	AAB-015-20012	NUT HEX LOCK NYLON 3/8 GRD 2	1	
1	AAB-015-30012	WSHR FLAT 3/8 USS	1	
2	AAB-015-10111	BOLT HEX 3/8 X 1-1/4 UNC GRD 5	8	
2	AAB-015-20017	NUT HEX 3/8 UNC GRD 2	10	
2	AAB-015-30012	WSHR FLAT 3/8 USS	16	
2	AAB-015-30017	WSHR LOCK 3/8	8	
3	AAA-006-02337	CNVR FLR EXT 6K 1/4T GALV	1	
4	AAB-015-10051	SCREW TORX FLRBOARD 1/4 X 1	8	
5	AAA-006-02326	9FT2 FLAT CNVR WELDMENT 6K GALV	1	
6	AAB-006-00252	9FT2 FLAT CNVR FLOOR 6K	1	
7	AAB-006-00255	9FT2 FLAT CNVR UNDERSHIELD 6K	1	
8	AAB-006-00087	APRON CHAIN C55 W WITH 66 LINKS BOXED SLATS FOR 6 41 AND 9 2	1	

Pos	SKU	Description	Qty	Remark
9	AAA-006-02398	FLAT CNVR SD CORNER SHIELD BRKT 1/8T 6K GALV	2	
9	AAB-015-10028	BOLT CARRIAGE 3/8-16 X 1 GRD 5	12	
9	AAB-015-20012	NUT HEX LOCK NYLON 3/8 GRD 2	12	
9	AAB-015-30012	WSHR FLAT 3/8 USS	12	
10	AAB-006-00253	9FT2 FLAT CNVR FRONT SHIELD 6K	1	
11	AAB-006-00254	9FT2 FLAT CNVR DRUM SHIELD 6K	1	
12	AAB-006-00259	FLAT CNVR SD REAR SHIELD 6K	1	
13	AAB-006-00261	9FT2 FLAT CNVR SD DRUM SHIELD 6K	1	

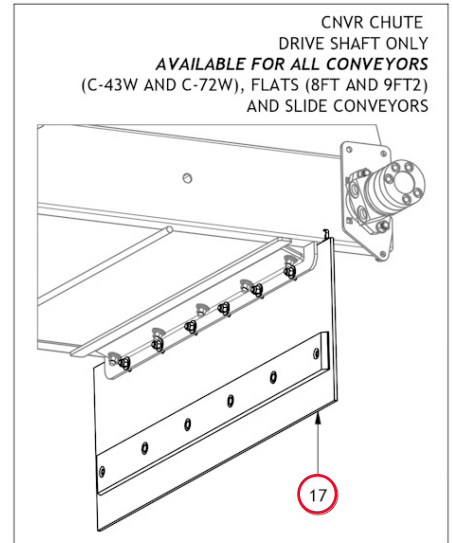
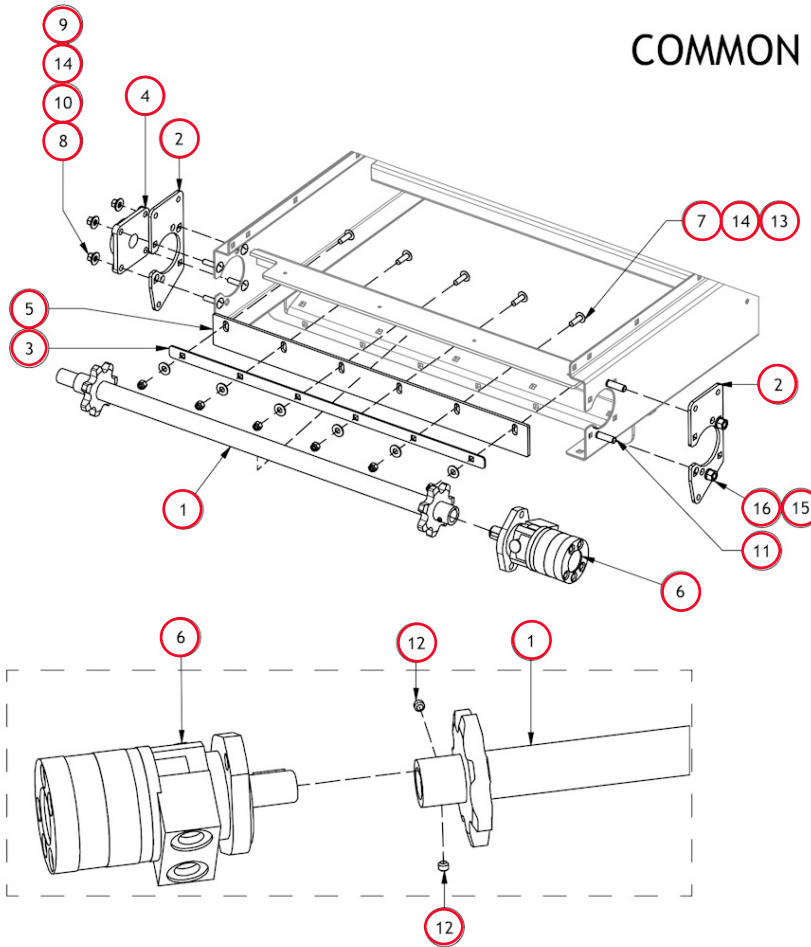


Pos	SKU	Description	Qty	Remark
1	AAA-006-02344	SWING SHIELD KIT 6K	2	
2	AAA-006-02353	SLIDE CNVR FRONT SHIELD SLIDE BRKT 6K 1/8T GALV	1	
2	AAB-015-10111	BOLT HEX 3/8 X 1-1/4 UNC GRD 5	8	
2	AAB-015-20017	NUT HEX 3/8 UNC GRD 2	8	
2	AAB-015-30012	WSHR FLAT 3/8 USS	16	
2	AAB-015-30017	WSHR LOCK 3/8	8	
3	AAA-006-02355	SLIDE CNVR DRUM SHIELD SIDE BRKT 6K 1/8T GALV	2	
3	AAB-015-10111	BOLT HEX 3/8 X 1-1/4 UNC GRD 5	3	
3	AAB-015-20012	NUT HEX LOCK NYLON 3/8 GRD 2	3	
3	AAB-015-30012	WSHR FLAT 3/8 USS	6	
4	AAA-006-02356	SLIDE CNVR DRUM SHIELD LH BTM BRKT 6K 1/4T GALV	1	LH BTM BRKT
4	AAA-006-02357	SLIDE CNVR DRUM SHIELD RH BTM BRKT 6K 1/4T GALV	1	RH BTM BRKT
4	AAB-015-10077	STUD WELD 3/8-16 X 1-1/2L	2	
4	AAB-015-20017	NUT HEX 3/8 UNC GRD 2	2	

Pos	SKU	Description	Qty	Remark
4	AAB-015-30012	WSHR FLAT 3/8 USS	2	
4	AAB-015-30017	WSHR LOCK 3/8	2	
5	AAA-006-02324	SLIDE CNVR WELDMENT 6K GALV	1	
6	AAA-006-02337	CNVR FLR EXT 6K 1/4T GALV	1	
7	AAB-006-00091	APRON CHAIN C55 W WITH 62 LINKS BOXED SLATS FOR 8 6	1	
8	AAB-006-00241	SLIDE CNVR FLOOR 6K	1	
8	AAB-015-10051	SCREW TORX FLRBOARD 1/4 X 1	8	
9	AAB-006-00242	SLIDE CNVR UNDERSHIELD 6K	1	
10	AAA-006-02401	SLIDE CNVR MOUNT WELDMENT 6K GALV	1	
11	AAA-006-02411	SLIDE CNVR MNT SPCR 1/4T SS 6K	10	
12	AAA-006-02412	SLIDE CNVR MNT SPCR 1/8T SS 6K	2	
13	AAA-006-02418-GALV	SLIDE CNVR LADDER SUPPORT BAR 6K GALV	1	
14	AAB-006-00243	SLIDE CNVR FRONT SHIELD 6K	1	
15	AAB-006-00244	SLIDE CNVR DRUM SHIELD 6K	2	
15	AAB-015-10111	BOLT HEX 3/8 X 1-1/4 UNC GRD 5	1	
15	AAB-015-20012	NUT HEX LOCK NYLON 3/8 GRD 2	1	
15	AAB-015-30012	WSHR FLAT 3/8 USS	2	
16	AAB-006-00258	SLIDE CNVR SLIDE BLOCK 6K	4	
17	AAB-009-01094	HYD CYL 36IN STROKE X 2IN BORE CLEVIS ENDS TOP PORTS	1	
17	AAB-015-00002	CLEVIS PIN FOR 12IN HYD CYDR	2	
17	AAB-015-00008	STANDARD HAIR PIN FOR 1 IN DIA PINS	4	
18	AAB-015-10085	BOLT HEX 1/2 X 3 UNC GRD 5	4	
19	AAB-015-10120	BOLT HEX 3/8 X 3 UNC GRD 5	1	
19	AAB-015-20017	NUT HEX 3/8 UNC GRD 2	1	
19	AAB-015-30012	WSHR FLAT 3/8 USS	1	
19	AAB-015-30017	WSHR LOCK 3/8	1	
19	AAB-015-30042	WSHR FLAT FNDR 3/8 X 2 OD ZINC	1	
20	AAB-015-10148	BOLT HEX 1/2-13 X 1-3/4L GRD 5	8	
21	AAB-015-10425	BOLT HEX 3/8 X 2 1/2 GRD 5	3	
21	AAB-015-20017	NUT HEX 3/8 UNC GRD 2	3	
21	AAB-015-30012	WSHR FLAT 3/8 USS	6	
21	AAB-015-30017	WSHR LOCK 3/8	3	
22	AAB-015-20084	NUT HEX 1/2 UNC GRD 8	12	
23	AAB-015-30013	WSHR FLAT 1/2 USS	12	
24	AAB-015-30018	WSHR LOCK 1/2	4	

# COMMON CONVEYOR COMPONENTS

DRIVE SHAFT AND CNVR CHUTE



NOTE:  
REFER TO THIS PAGE FOR ALL ITEMS MARKED WITH "C".  
DRIVE SHAFT COMPONENTS ARE SHARED AMONG WINGS (C-43W AND C-72W), FLATS (8FT AND 9FT2) AND SLIDE CONVEYORS

Pos	SKU	Description	Qty	Remark
1	AAA-006-02278-P3	CNVR DRIVESHAFT WELDMENT 6K PAINTED BLACK	1	
2	AAA-006-02296	CNVR CHUTE PIVOT PLATE 1/4T 6K GALV	2	
3	AAA-006-02299	CNVR RUBBER HOLDER PLATE 1/8T 6K GALV	1	
4	AAB-006-00009	FLNG BRNG 1-1/8 ID BLACK	1	
5	AAB-006-00235	CNVR INNER WIPER 6K	1	
6	AAB-009-00284	MOTOR HYD 160CC 1 KEYED SHAFT 2 BOLT FLNG SAE 10	1	
7	AAB-015-10060	BOLT CARRIAGE 3/8 X 1-1/4 UNC GRD 2	6	
8	AAB-015-20017	NUT HEX 3/8 UNC GRD 2	4	
9	AAB-015-10061	BOLT CARRIAGE 3/8 X 1-1/2 UNC GRD 5	4	
10	AAB-015-30017	WSHR LOCK 3/8	4	
11	AAB-015-10148	BOLT HEX 1/2-13 X 1-3/4L GRD 5	2	
12	AAB-015-10600	SET SCREW ZINC 5/16-18 X 1/4L	2	
13	AAB-015-20012	NUT HEX LOCK NYLON 3/8 GRD 2	6	
14	AAB-015-30012	WSHR FLAT 3/8 USS	10	
15	AAB-015-30018	WSHR LOCK 1/2	2	
16	AAB-015-20011	NUT HEX 1/2 UNC GRD 5	2	

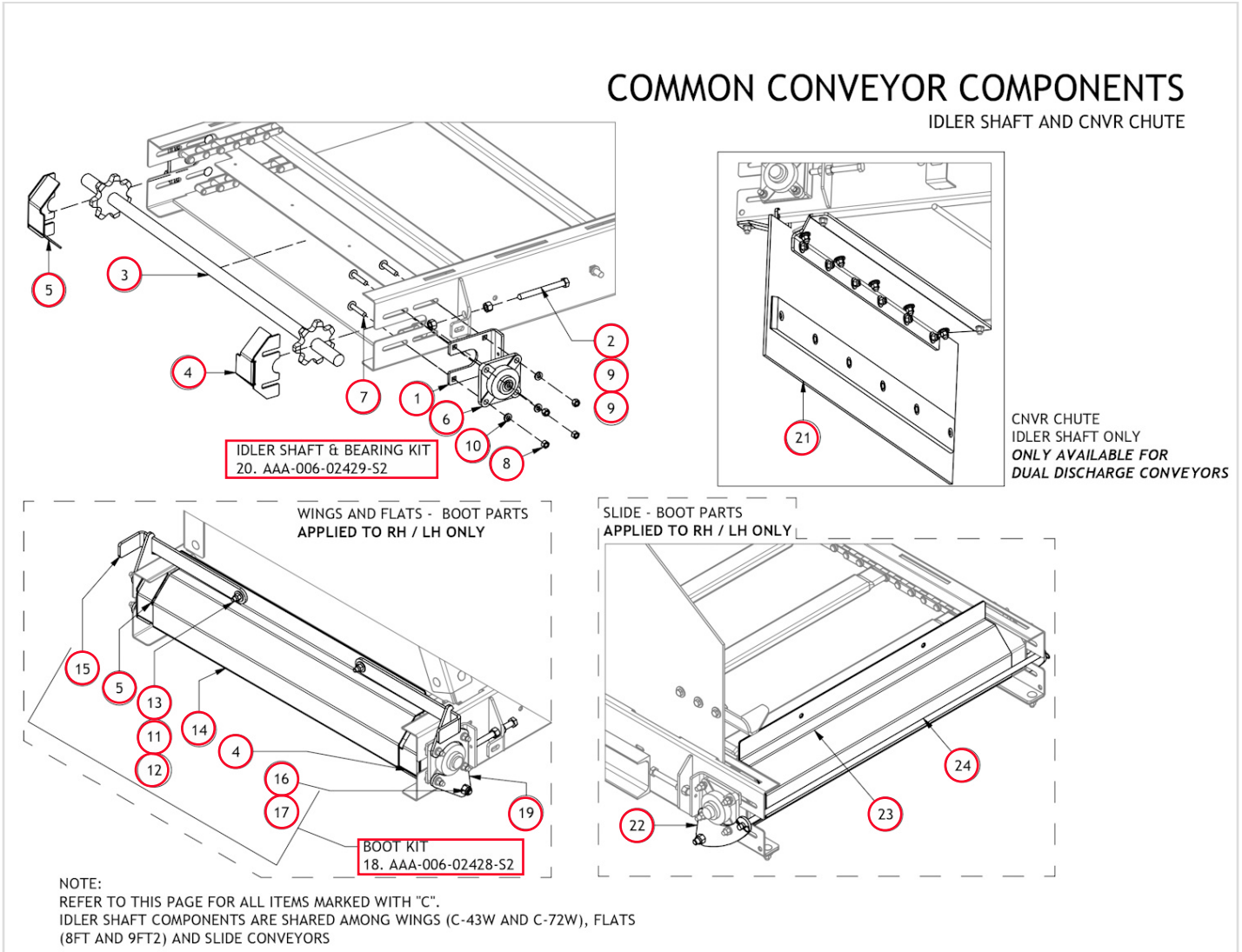
---

<b>Pos</b>	<b>SKU</b>	<b>Description</b>	<b>Qty</b>	<b>Remark</b>
17	AAA-006-02377	CNVR CHUTE KIT 6K	1	

---

### COMMON CONVEYOR COMPONENTS

IDLER SHAFT AND CNVR CHUTE



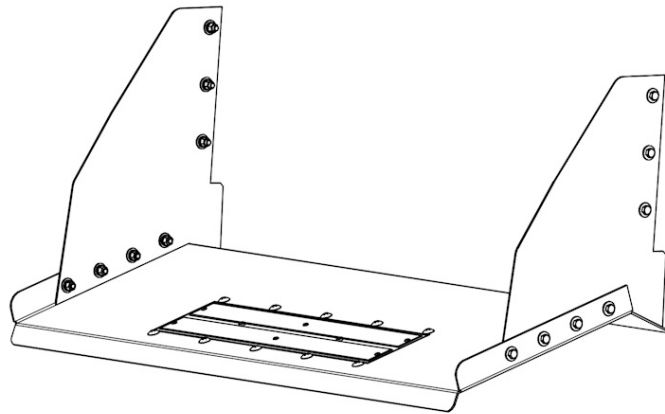
Pos	SKU	Description	Qty	Remark
1	AAA-006-00351	CNVR FLNG BRNG HOLDER GALV	2	
2	AAA-006-00352	TIGHTENER ROD CNVR BRNG 1/2" x 5" (FULL THREAD)	2	
3	AAA-006-02275-P3	CNVR IDLER SHAFT WELDMENT 6K PAINTED BLACK	1	
4	AAA-006-02430	CNVR BOOT INSERT 6K GALV	1	
5	AAA-006-02430	CNVR BOOT INSERT 6K GALV	1	
6	AAB-006-00009	FLNG BRNG 1-1/8 ID BLACK	2	
7	AAB-015-10081	BOLT CARRIAGE 3/8 X 2 UNC GRD 5	8	
8	AAB-015-20017	NUT HEX 3/8 UNC GRD 2	8	
9	AAB-015-20084	NUT HEX 1/2 UNC GRD 8	2	
10	AAB-015-30017	WSHR LOCK 3/8	8	
11	AAB-015-30012	WSHR FLAT 3/8 USS	2	
12	AAB-015-20012	NUT HEX LOCK NYLON 3/8 GRD 2	2	
13	AAB-015-10111	BOLT HEX 3/8 X 1-1/4 UNC GRD 5	2	
14	AAA-006-02280	CNVR BOOT WELDMENT 6K GALV	1	
15	AAA-006-02293	CNVR BOOT LATCH ARM 6K GALV	2	

Pos	SKU	Description	Qty	Remark
16	AAB-015-20019	NUT HEX LOCK NYLON 1/2 UNC GRD 5	2	
17	AAB-015-10601	BOLT HEX 1/2-13 X 5-1/2L GRD 5	2	
18	AAA-006-02428-S2	6K CNVR BOOT KIT - PARTS SALE	1	
19	AAA-006-02322	CNVR BOOT LATCH PLATE 6K - 1/4T - GALV.	2	
20	AAA-006-02429-S2	6K IDLER SHAFT ASSEMBLY KIT - PARTS SALE	1	
21	AAA-006-02387	FLAT CNVR REAR CHUTE KIT 6K	1	
22	AAA-006-02416	SLIDE CNVR BOOT RETAIN BRKT 1/4T 6K GALV	2	
22	AAB-015-10601	BOLT HEX 1/2-13 X 5-1/2L GRD 5	2	
22	AAB-015-20019	NUT HEX LOCK NYLON 1/2 UNC GRD 5	2	
23	AAA-006-02280	CNVR BOOT WELDMENT 6K GALV	1	
23	AAA-006-02285	CNVR BOOT INSERT RH 6K GALV	1	
23	AAA-006-02286	CNVR BOOT INSERT LH 6K GALV	1	
24	AAA-006-02417-P3	SLIDE CNVR BOOT RETAIN BAR PAINTED BLACK	1	
24	AAB-015-40005	HTCH PIN CLIP 1/16DIA X 1-5/8L	2	

# DISCHARGE ACCESSORIES

REAR, CORNER, AND SIDE DISCHARGE COMPONENTS

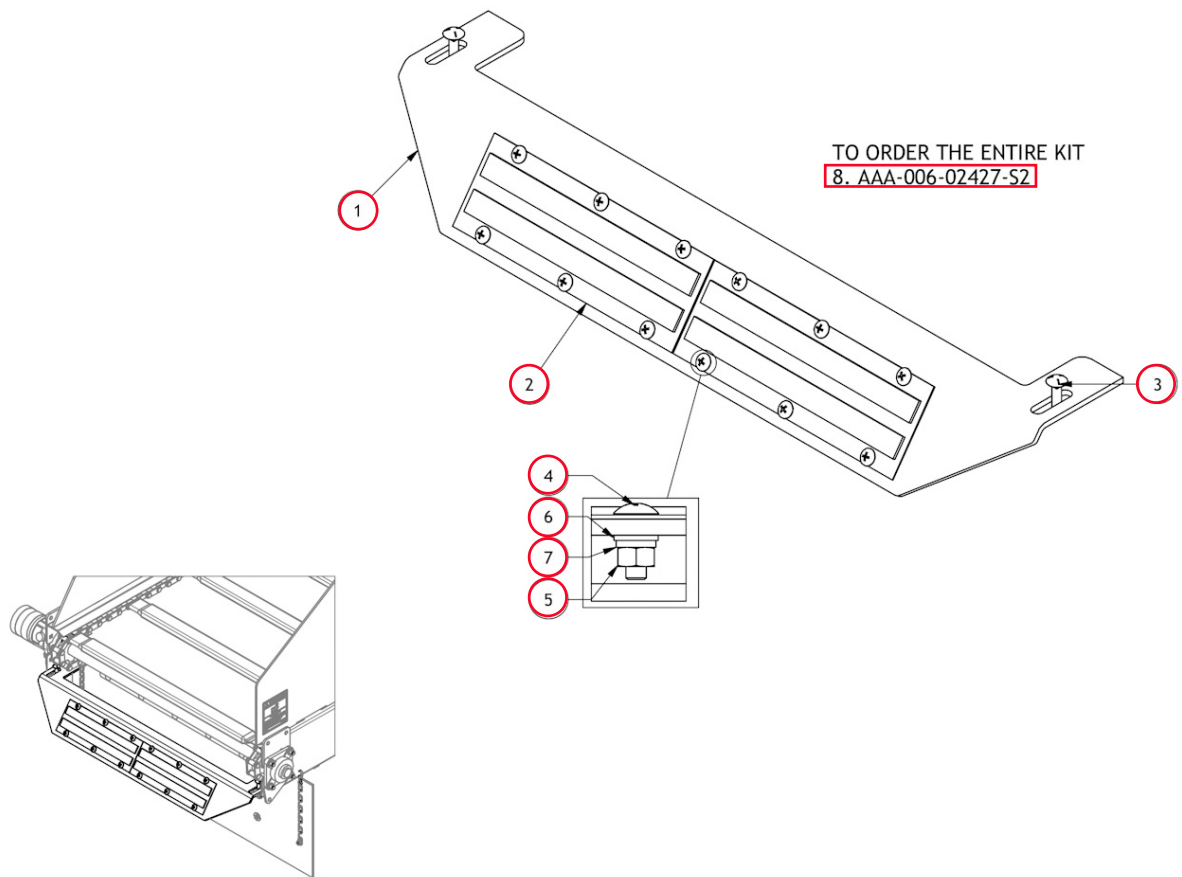
INCLUDES ALL REAR, CORNER, AND SIDE DISCHARGE CHUTE OPTIONS, WITH OR WITHOUT MAGNETS, USED DURING UNLOADING.



Pos	SKU	Description	Qty	Remark
-----	-----	-------------	-----	--------

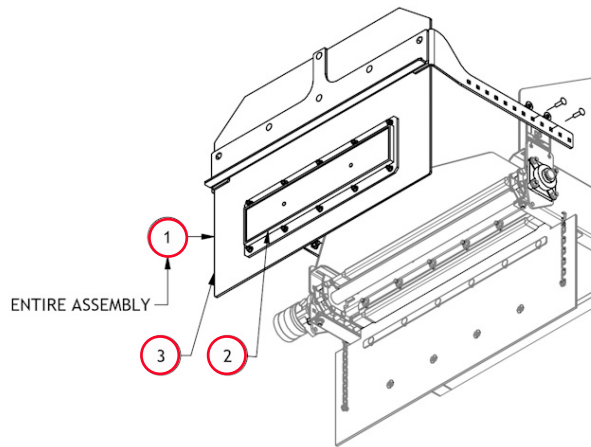
# CONVEYOR CHUTE

AVAILABLE FOR ANY WINGS, FLATS OR SLIDES

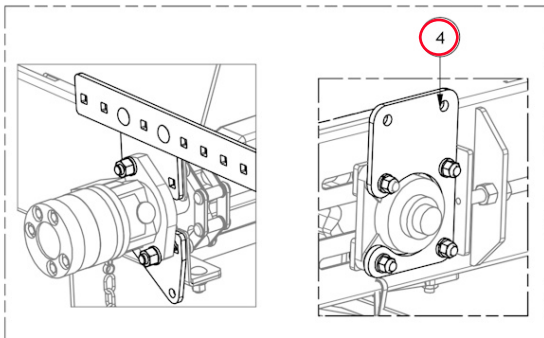


Pos	SKU	Description	Qty	Remark
1	AAA-006-02426	6K CVNR CHUTE MAG - GALV	1	
2	AAB-006-00262	MAGNET PLATE L&N1200	2	
3	AAB-015-10061	BOLT CARRIAGE 3/8 X 1-1/2 UNC GRD 5	2	
4	AAB-015-10561	SCREW TRUSS HEAD PHILLIPS 5/16-18 X 1	12	
5	AAB-015-20020	NUT HEX 5/16 UNC GRD 2	12	
6	AAB-015-30011	WSHR FLAT 5/16 USS	12	
7	AAB-015-30016	WSHR LOCK 5/16	12	
8	AAA-006-02427-S2	CHUT MAG ASSM - SHIP KIT	1	

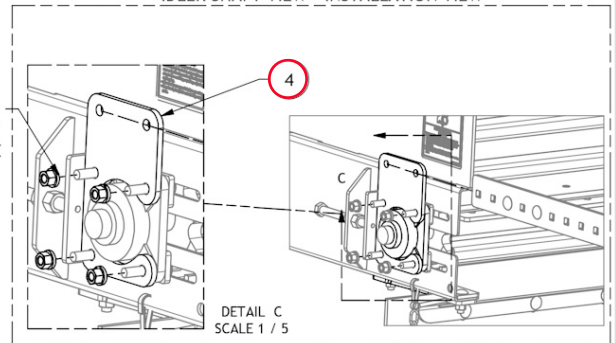
## DISCHARGE OPTION FEED DEFLECTOR



DRIVE SHAFT VIEW - INSTALLATION VIEW



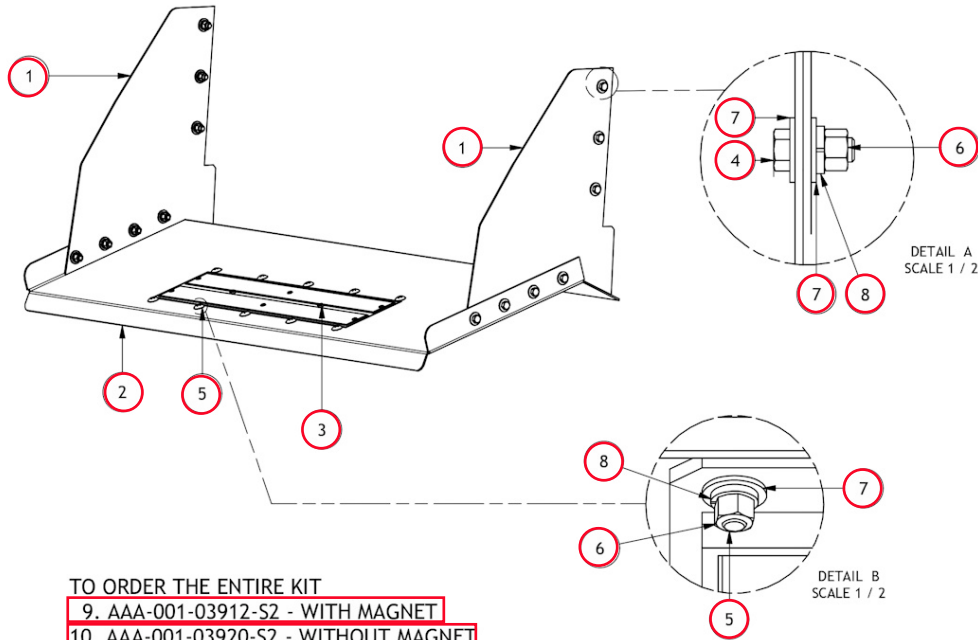
IDLER SHAFT VIEW - INSTALLATION VIEW



Pos	SKU	Description	Qty	Remark
1	AAA-006-02389	CNVR FEED DEFLECTOR KIT 6K	2	
2	AAB-006-00035	MAGNET PLATE 25 X 8 X 1	1	
3	AAB-006-00257	CNVR FEED DFLCTR RUBBER 6K	1	
4	AAA-006-02408	CNVR BRKT FOR DD FEED DEFLECTOR 1/4T 6K GALV	2	

## REAR CHUTE

WITH / WITHOUT MAGNET



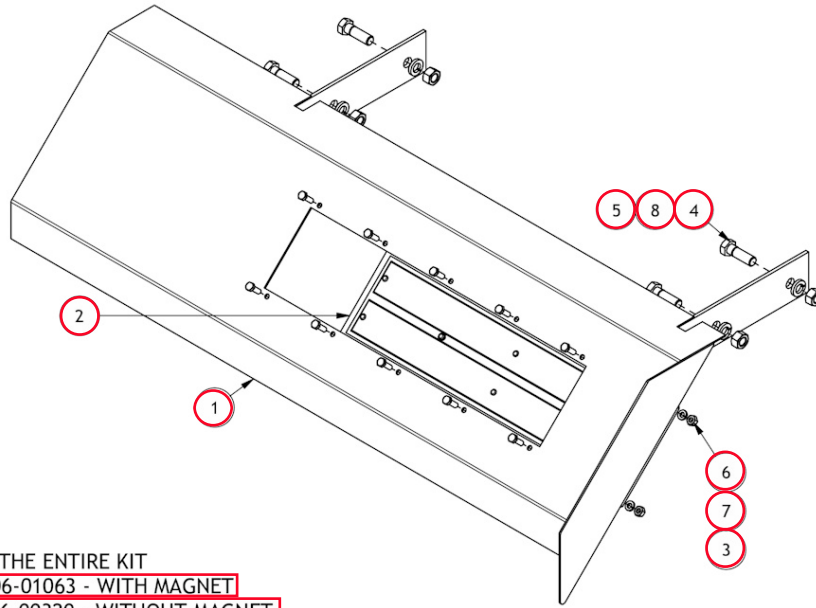
TO ORDER THE ENTIRE KIT  
 9. AAA-001-03912-S2 - WITH MAGNET  
 10. AAA-001-03920-S2 - WITHOUT MAGNET

NOTE:  
 ITEM 2 SHOWN APPLIES TO "WITH MAGNET" CONFIGURATION ONLY.  
 FOR "WITHOUT MAGNET" CONFIGURATION, USE THE CORRESPONDING NO-MAGNET CHUTE PANEL (AAA-001-03919-P3)

Pos	SKU	Description	Qty	Remark
1	AAA-001-03904-P3	6K REAR DOOR SIDE WALLS PAINTED	2	
2	AAA-001-03905-P3	6K REAR DOOR MAG CHUTE PAINTED	1	WITH MAGNET
2	AAA-001-03919-P3	6K REAR DOOR CHUTE NO MAG 12 L 1/8T PAINT BLACK	1	WITHOUT MAGNET
3	AAB-006-00035	MAGNET PLATE 25 X 8 X 1	1	
4	AAB-015-10056	BOLT HEX 3/8 X 1 UNC GRD 2	14	
5	AAB-015-10534	SCREW TRUSS HEAD PHILLIPS 3/8-16 X 1	10	
6	AAB-015-20017	NUT HEX 3/8 UNC GRD 2	24	
7	AAB-015-30012	WSHR FLAT 3/8 USS	38	
8	AAB-015-30017	WSHR LOCK 3/8	24	
9	AAA-001-03912-S2	6K REAR DOOR CHUTE ASSM-WH	1	

# CORNER CHUTE

WITH / WITHOUT MAGNET

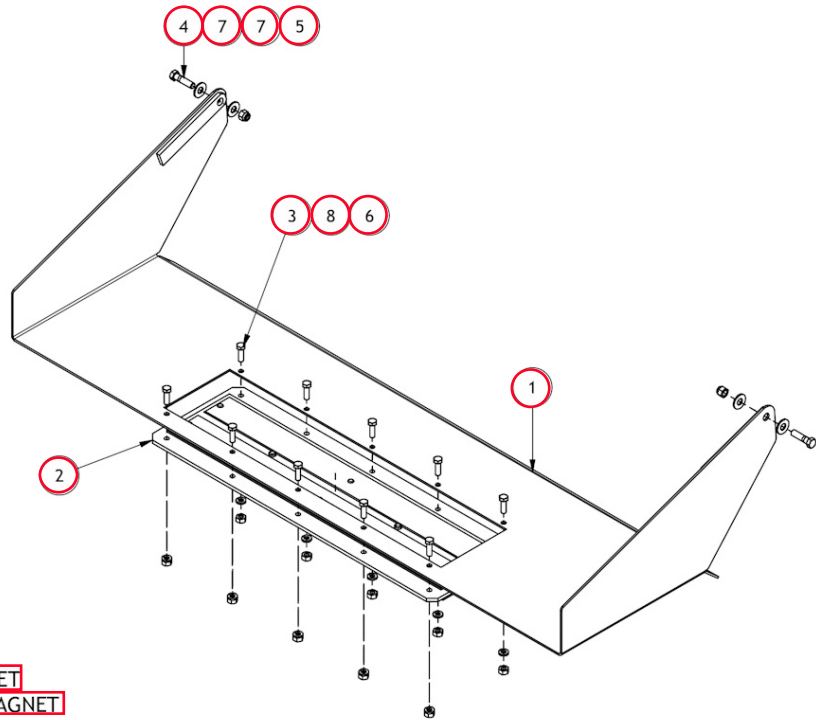


TO ORDER THE ENTIRE KIT  
 9. AAA-006-01063 - WITH MAGNET  
 10. AAA-006-00320 - WITHOUT MAGNET

NOTE:  
 ITEM 2 MAGNET (AAB-006-00035) IS OPTIONAL. APPLIES ONLY TO "WITH MAGNET" CONFIGURATION.  
 FOR "WITHOUT MAGNET" CONFIGURATION, USE THE CORRESPONDING NO-MAGNET PLATE (AAA-006-00321)

Pos	SKU	Description	Qty	Remark
1	AAA-006-00317	DISCHARGE CHUTE 50L (PAINTED)	1	
2	AAA-006-00321	PLT MAGNET CHUTE BLANK 1/8T	1	WITHOUT MAGNET
2	AAB-006-00035	MAGNET PLATE 25 X 8 X 1	1	WITH MAGNET
3	AAB-015-10036	BOLT HEX 5/16 X 1 UNC GRD 5	10	
4	AAB-015-10068	BOLT HEX 5/8 X 2 UNC GRD 8	4	
5	AAB-015-20013	NUT HEX 5/8 UNC GRD 5	4	
6	AAB-015-20020	NUT HEX 5/16 UNC GRD 2	10	
7	AAB-015-30016	WSHR LOCK 5/16	10	
8	AAB-015-30019	WSHR LOCK 5/8	4	
9	AAA-006-01063	KIT DISCHARGE MAGNET CHUTE 50L	1	
10	AAA-006-00320	KIT DISCHARGE CHUTE 50L	1	

### C-SIDE CHUTE WITH / WITHOUT MAGNET



TO ORDER THE ENTIRE KIT  
 9. AAA-006-01014 - WITH MAGNET  
 10. AAA-006-01062 - WITHOUT MAGNET

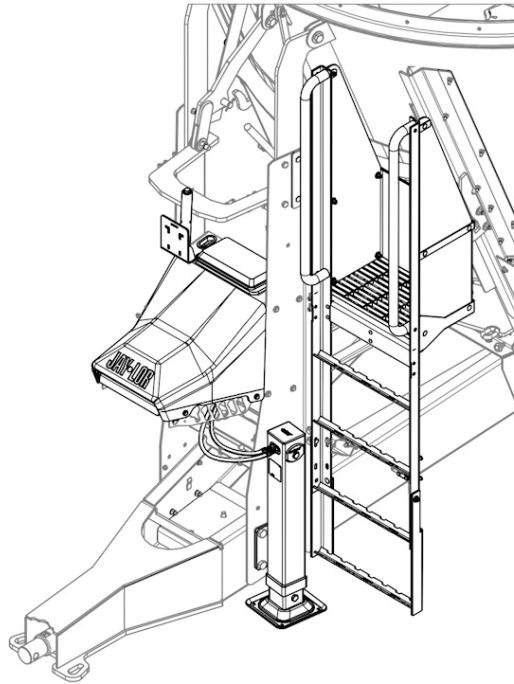
NOTE:  
 ITEM 2 MAGNET (AAB-006-00035) IS OPTIONAL. APPLIES ONLY TO "WITH MAGNET" CONFIGURATION.  
 FOR "WITHOUT MAGNET" CONFIGURATION, USE THE CORRESPONDING NO-MAGNET PLATE (AAA-006-00321)

Pos	SKU	Description	Qty	Remark
1	AAA-006-01013-P1	C-SIDE MAGNET CHUTE WELDMNT (PAINTED RED)	1	
2	AAA-006-00321	PLT MAGNET CHUTE BLANK 1/8T	1	WITHOUT MAGNET
2	AAB-006-00035	MAGNET PLATE 25 X 8 X 1	1	WITH MAGNET
3	AAB-015-10036	BOLT HEX 5/16 X 1 UNC GRD 5	10	
4	AAB-015-10059	BOLT HEX 3/8 X 1-1/2 UNC GRD 2	2	
5	AAB-015-20012	NUT HEX LOCK NYLON 3/8 GRD 2	2	
6	AAB-015-20020	NUT HEX 5/16 UNC GRD 2	10	
7	AAB-015-30012	WSHR FLAT 3/8 USS	4	
8	AAB-015-30016	WSHR LOCK 5/16	10	
9	AAA-006-01014	C-SIDE MAGNET CHUTE ASSY KIT	1	
10	AAA-006-01062	C-SIDE CHUTE ASSY KIT	1	

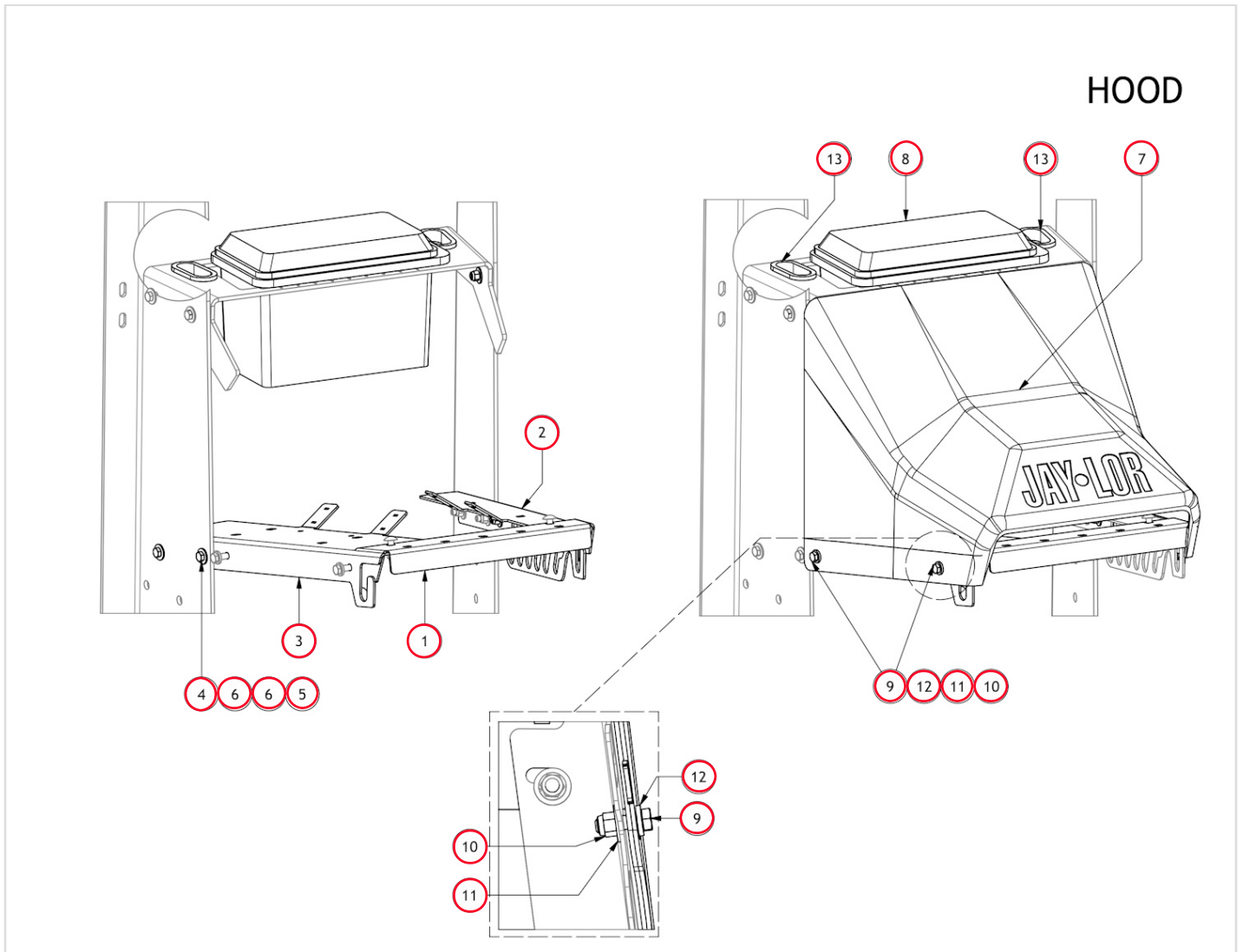
# FRONT END

## FRONT-MOUNTED EQUIPMENT AND TOWING COMPONENTS

THIS SECTION COVERS HOODS, LADDERS, JACKS, AND HITCH ASSEMBLIES MOUNTED AT THE FRONT OF THE MIXER.

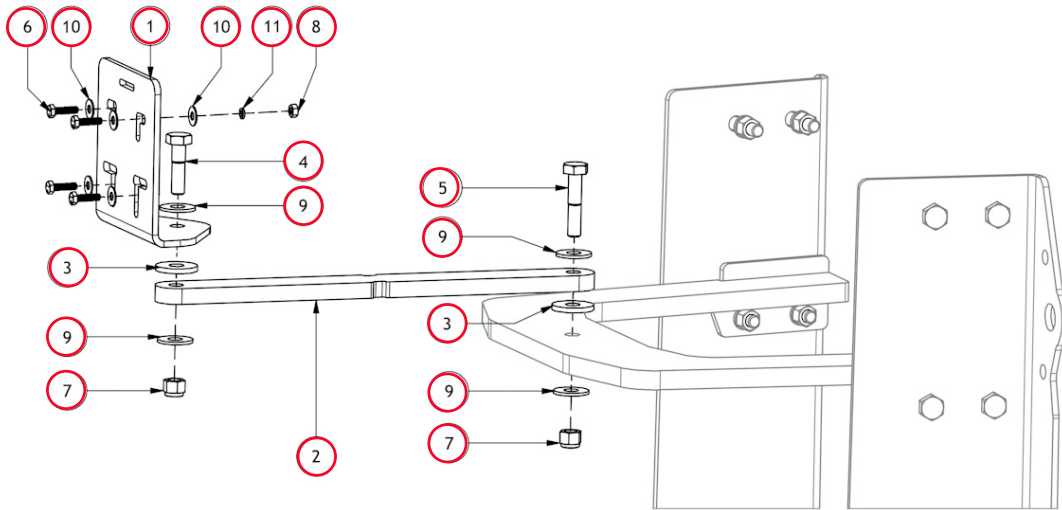


Pos	SKU	Description	Qty	Remark
-----	-----	-------------	-----	--------



Pos	SKU	Description	Qty	Remark
1	AAA-002-03285	HOSE BRKT HOLDER FRT - 1/8T - PAINTED	1	
2	AAA-002-03283	HOSE BRKT HOLDER LTH - PAINTED	1	
3	AAA-002-03284	HOSE BRKT HOLDER RTH - PAINTED	1	
4	AAB-015-10111	BOLT HEX 3/8 X 1-1/4 UNC GRD 5	4	
5	AAB-015-20012	NUT HEX LOCK NYLON 3/8 GRD 2	4	
6	AAB-015-30012	WSHR FLAT 3/8 USS	8	
7	AAB-002-00681	FIBERGLASS FRT END LOWER HOOD	1	
8	AAB-002-00682	MAINTENANCE BOX - SPARE PARTS	1	
9	AAB-015-10111	BOLT HEX 3/8 X 1-1/4 UNC GRD 5	4	
10	AAB-015-20012	NUT HEX LOCK NYLON 3/8 GRD 2	4	
11	AAB-015-30012	WSHR FLAT 3/8 USS	4	
12	AAB-015-30117	WSHR RBBR NEOPRENE 3/8 X 0.8125OD X 0.125T (90133A420)	4	
13	AAB-015-50000	GROMMET 2-3/8ID	2	

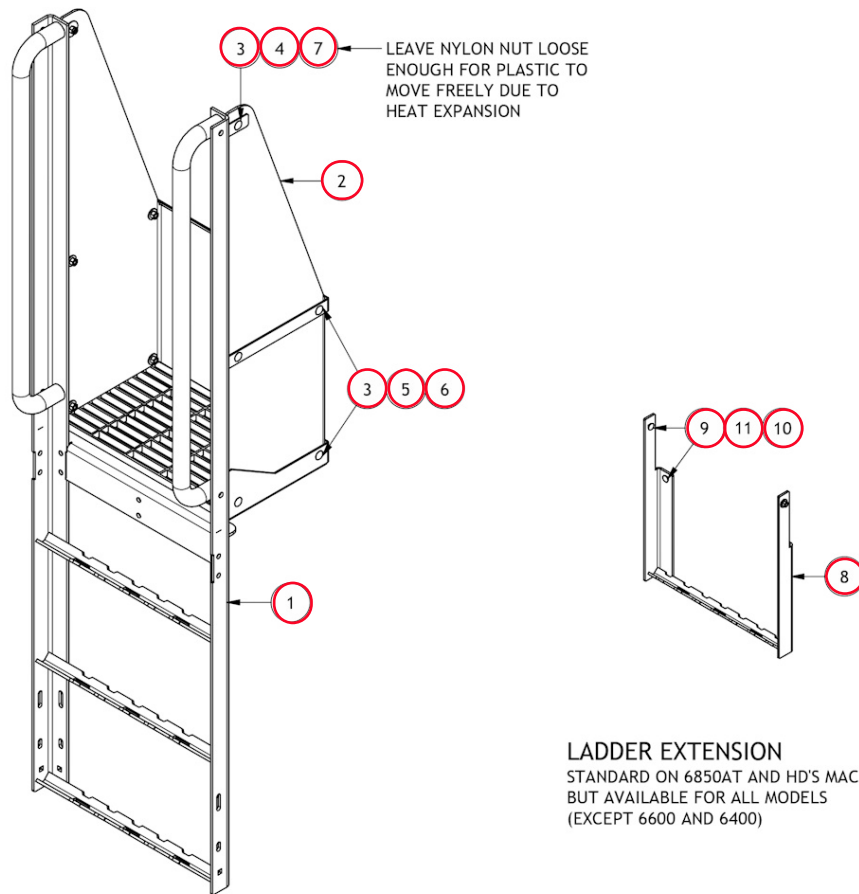
## SCALE ARM



Pos	SKU	Description	Qty	Remark
1	AAA-010-00116-P3	SCALE HEAD BRKT INVERTED 1/4T (BLACK)	1	
2	AAA-010-00147-P3	SCALE HEAD SWING ARM 5/8T	1	
3	AAB-000-00004	WSHR 9/16ID 1-5/8OD 3/16T URETHANE 95A BLACK	2	
4	AAB-015-10064	BOLT HEX 1/2 X 2 UNC GRD 5	1	
5	AAB-015-10088	BOLT HEX 1/2 X 2-1/2 UNC GRD 5	1	
6	AAB-015-10220	BOLT HEX 1/4 X 1 UNC GRD 5	4	
7	AAB-015-20019	NUT HEX LOCK NYLON 1/2 UNC GRD 5	2	
8	AAB-015-20036	NUT HEX 1/4 UNC GRD 5	4	
9	AAB-015-30013	WSHR FLAT 1/2 USS	4	
10	AAB-015-30025	WSHR FLAT 1/4 USS	8	
11	AAB-015-30038	WSHR LOCK 1/4	4	

# STANDARD LADDER

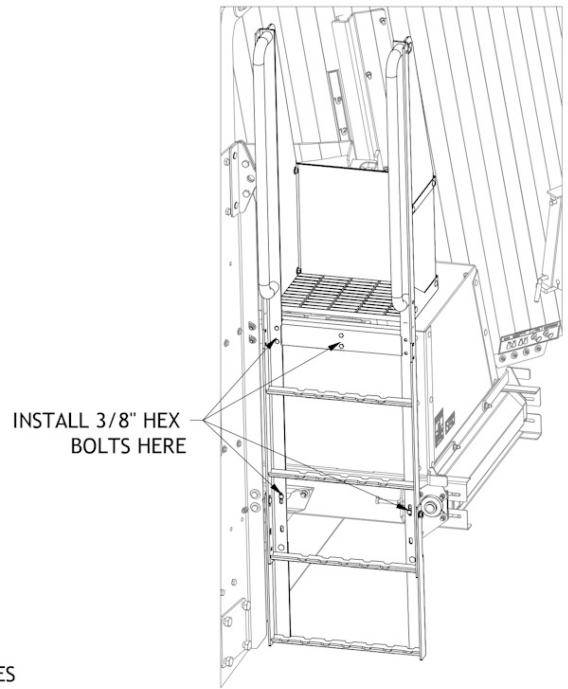
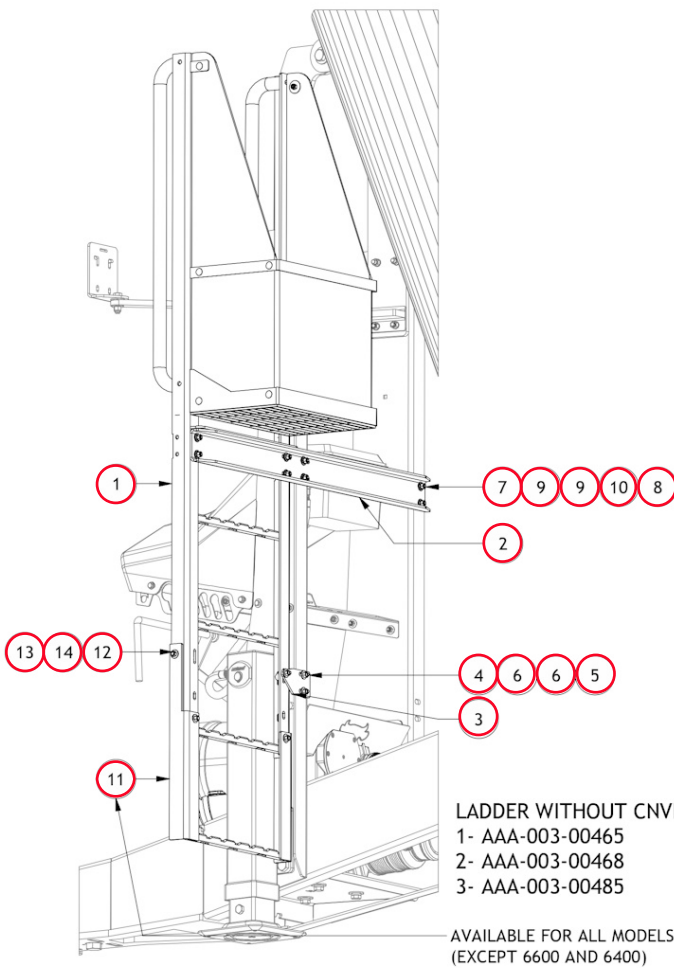
ALL MODELS ( EXCEPT 6600 AND 6400 MODELS)



Pos	SKU	Description	Qty	Remark
1	AAA-003-00464	6000 V-MIXER TR LADDER - GALV	1	
2	AAB-003-00015	6000 LDR PLTFRM FULL SHIELD HDPE BLK 0.22T	1	
3	AAB-015-10028	BOLT CARRIAGE 3/8-16 X 1 GRD 5	10	
4	AAB-015-20012	NUT HEX LOCK NYLON 3/8 GRD 2	2	
5	AAB-015-20017	NUT HEX 3/8 UNC GRD 2	8	
6	AAB-015-30012	WSHR FLAT 3/8 USS	8	
7	AAB-015-30033	WSHR FLAT 3/8 ID X 1-1/2 OD X 3/64 T	2	
8	AAA-003-00484	6000 TRAILER EXTENSION LDR GALV.	1	
9	AAB-015-10028	BOLT CARRIAGE 3/8-16 X 1 GRD 5	4	
10	AAB-015-20017	NUT HEX 3/8 UNC GRD 2	4	
11	AAB-015-30012	WSHR FLAT 3/8 USS	4	

# STANDARD LADDER MOUNT

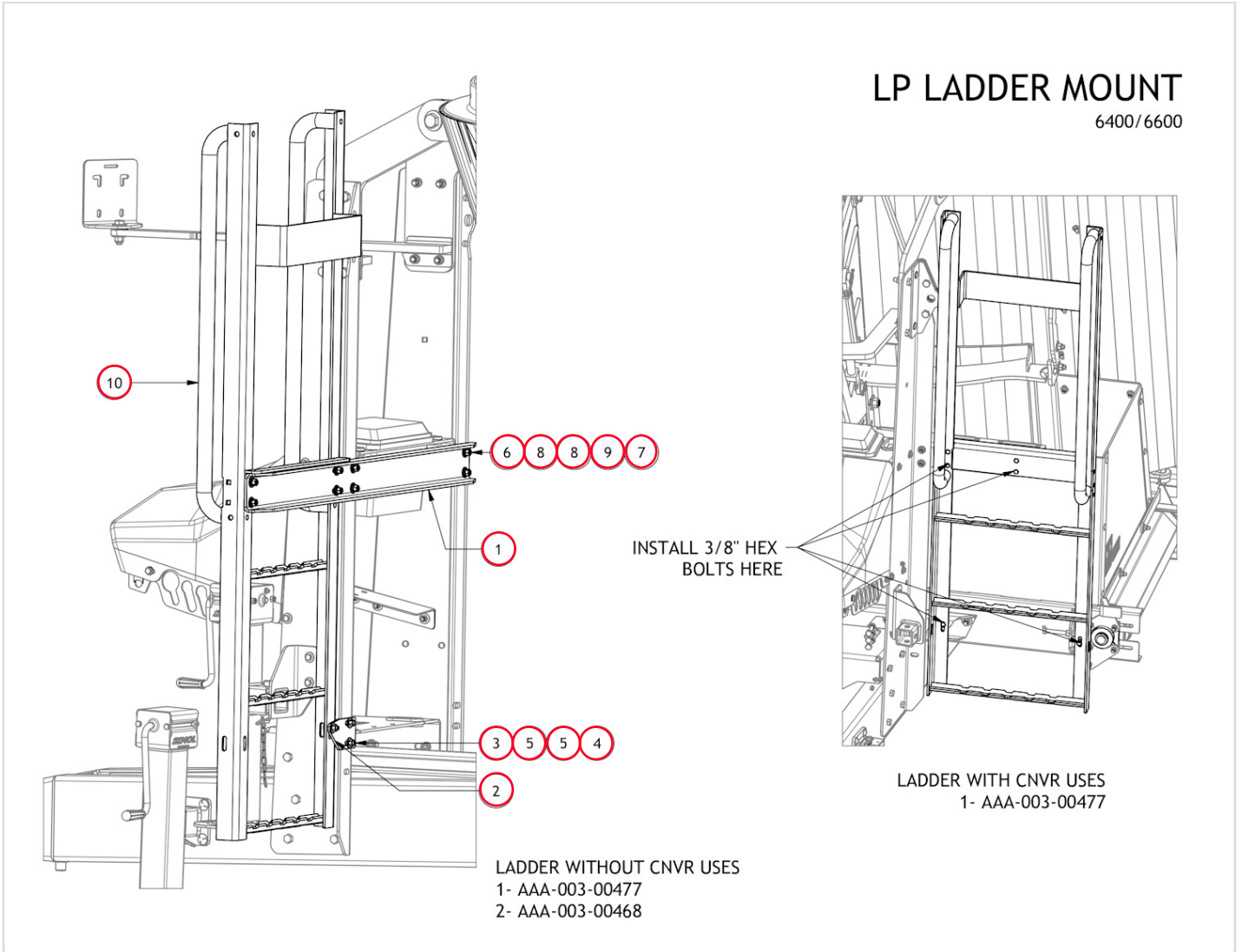
ALL MODELS ( EXCEPT 6600 AND 6400 MODELS)



LADDER WITH CNVR USES  
 1- AAA-003-00465  
 2- AAA-003-00485

Pos	SKU	Description	Qty	Remark
1	AAA-003-00465	6000 V-MIXER TR LADDER - FINAL ASSY.	1	
2	AAA-003-00467-P3	6000 V-MIXER TR LDR PLTFRM - 1/4T - PAINTED	1	
2	AAA-003-00468	6000 V-MIXER TR LDR PLTFRM W/ HARDWARE	1	
3	AAA-003-00466-P3	BOTTOM LADDER BRKT CNVR 1/4T - PAINTED	1	
3	AAA-003-00468	6000 V-MIXER TR LDR PLTFRM W/ HARDWARE	1	
4	AAB-015-10111	BOLT HEX 3/8 X 1-1/4 UNC GRD 5	3	
5	AAB-015-20017	NUT HEX 3/8 UNC GRD 2	3	
6	AAB-015-30012	WSHR FLAT 3/8 USS	6	
7	AAB-015-10111	BOLT HEX 3/8 X 1-1/4 UNC GRD 5	8	
8	AAB-015-20017	NUT HEX 3/8 UNC GRD 2	8	
9	AAB-015-30012	WSHR FLAT 3/8 USS	16	
10	AAB-015-30017	WSHR LOCK 3/8	8	
11	AAA-003-00485	6000 TRAILER EXTENSION LDR W/ HARDWARE	1	
12	AAB-015-10028	BOLT CARRIAGE 3/8-16 X 1 GRD 5	4	
13	AAB-015-20017	NUT HEX 3/8 UNC GRD 2	4	
14	AAB-015-30012	WSHR FLAT 3/8 USS	4	

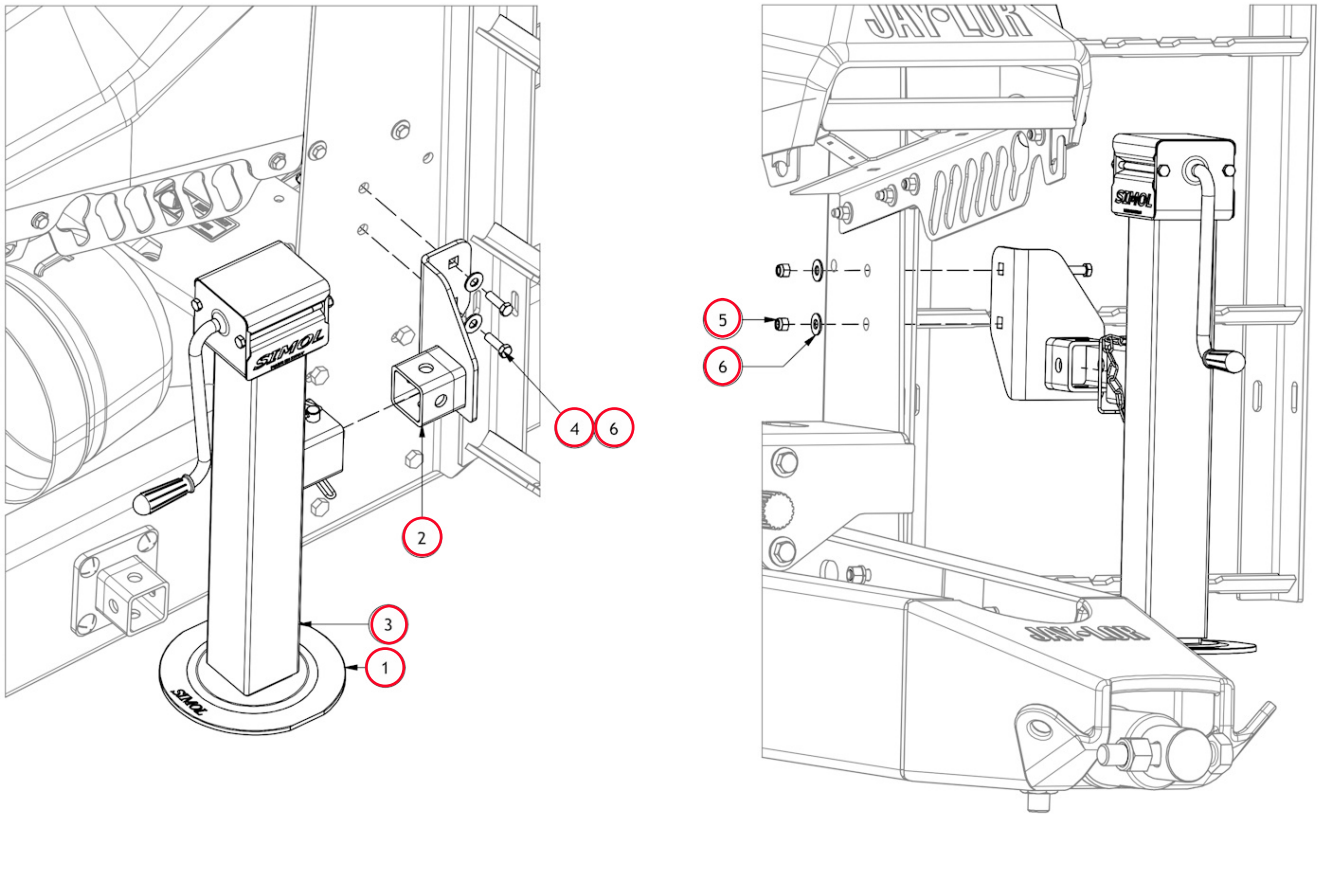




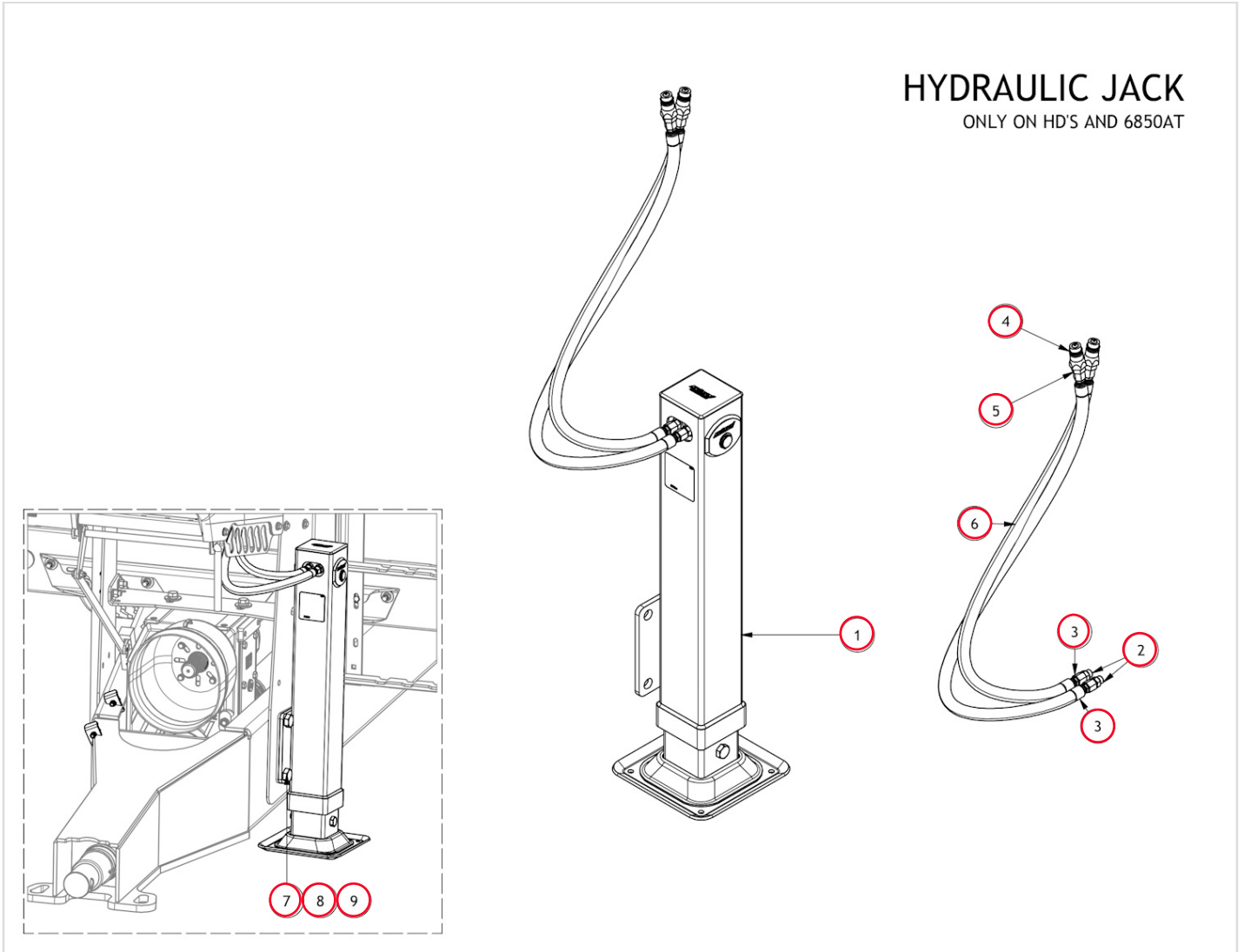
Pos	SKU	Description	Qty	Remark
1	AAA-003-00467-P3	6000 V-MIXER TR LDR PLTFRM - 1/4T - PAINTED	1	
1	AAA-003-00468	6000 V-MIXER TR LDR PLTFRM W/ HARDWARE	1	
2	AAA-003-00466-P3	BOTTOM LADDER BRKT CNVR 1/4T - PAINTED	1	
2	AAA-003-00468	6000 V-MIXER TR LDR PLTFRM W/ HARDWARE	1	
3	AAB-015-10111	BOLT HEX 3/8 X 1-1/4 UNC GRD 5	3	
4	AAB-015-20017	NUT HEX 3/8 UNC GRD 2	3	
5	AAB-015-30012	WSHR FLAT 3/8 USS	6	
6	AAB-015-10111	BOLT HEX 3/8 X 1-1/4 UNC GRD 5	8	
7	AAB-015-20017	NUT HEX 3/8 UNC GRD 2	8	
8	AAB-015-30012	WSHR FLAT 3/8 USS	16	
9	AAB-015-30017	WSHR LOCK 3/8	8	
10	AAA-003-00477	6000 LP V-MIXER TR LADDER - GALV	1	

# MECHANICAL JACK

ALL MODELS (EXCEPT HD'S AND 6850AT)



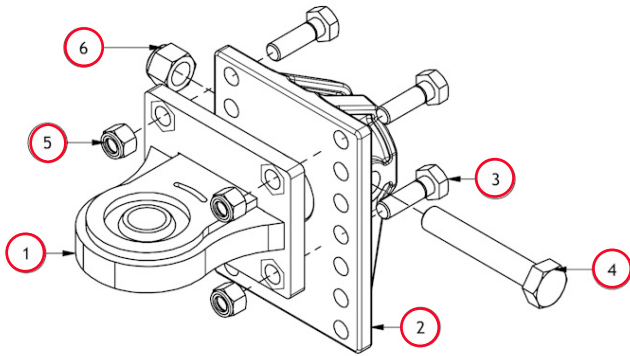
Pos	SKU	Description	Qty	Remark
1	AAA-002-03336	SIMOL 4T JACK IMP ASSY W/OUTER SLV, PIN & CHAIN AND JACK HOLDER 6K	1	
2	AAA-002-03280-P3	6K JACK MNT PAINTED BLACK	1	
3	AAB-002-00663	SIMOL 4T JACK IMP ASSY W/OUTER SLV, PIN & CHAIN	1	
4	AAB-015-10111	BOLT HEX 3/8 X 1-1/4 UNC GRD 5	2	
5	AAB-015-20012	NUT HEX LOCK NYLON 3/8 GRD 2	2	
6	AAB-015-30012	WSHR FLAT 3/8 USS	4	



Pos	SKU	Description	Qty	Remark
1	AAB-002-00683	HYD. JACK H1152P SIMOL	1	
2	AAB-009-00147	FIT ADPT 6 MJIC X 6 MBSPP	2	
3	AAB-009-00250	FIT HOSE END 4G X 6 FEMALE JIC SWIVEL	4	
4	AAB-009-00322	FIT ADPT 8 MQDC X 8 FORB POPPET STYLE	2	
5	AAB-009-00074	FIT ADPT 6 MJIC X 8 MORB	2	
6	AAA-009-01176	HOSE HYD 1/4DIA DOUBLE BRAID 4G X 6 FJIC SWIVEL 100L	2	
7	AAB-015-10025	BOLT HEX 3/4 X 2-1/4 UNC GRD 8	4	
8	AAB-015-30022	WSHR LOCK 3/4	4	
9	AAB-015-20023	NUT HEX 3/4 UNC GRD 5	4	

## HITCH OPTIONS

### EYE HITCH



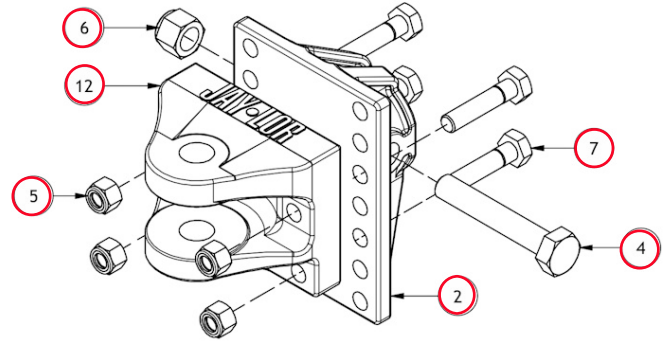
6425AT + NON-HD MODELS (EXCLUDES 6850)

8. AAA-002-03052  
KIT - COMPLETE W/ HARDWARE

6850 + 6850AT + ALL HD MODELS

9. AAA-002-01202  
KIT - COMPLETE W/ HARDWARE

### CLEVIS HITCH



6425AT + NON-HD MODELS (EXCLUDES 6850)

10. AAA-002-00992  
KIT - COMPLETE W/ HARDWARE

6850 + 6850AT + ALL HD MODELS

11. AAA-002-00993  
KIT - COMPLETE W/ HARDWARE

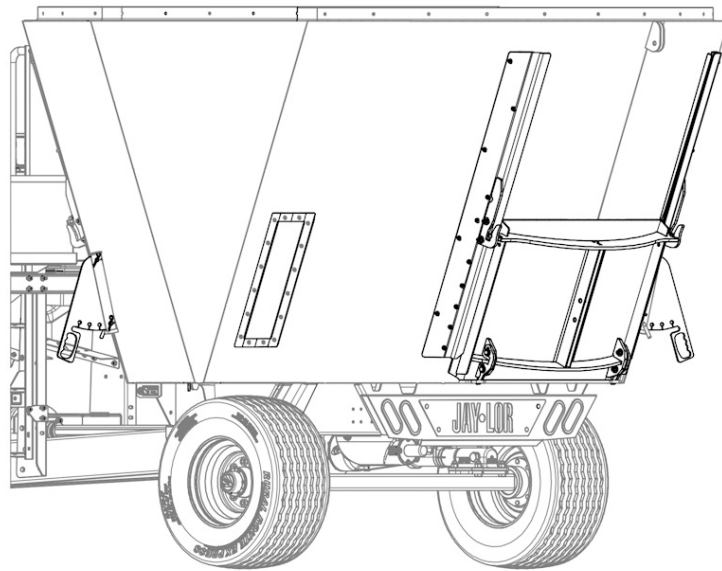
Pos	SKU	Description	Qty	Remark
1	AAA-002-00899-P3	TOWING EYE HITCH FOR B6690 (INTENDED FOR CAT III) (BLACK)	1	
2	AAB-002-00232-P3	CAST HTCH ADJUSTMENT PLATE 2.5DIA X 3.5OD X 3L (BLACK)	1	6850 + 6850AT + ALL HD MODELS
2	AAB-002-00234-P3	CAST HTCH FRT WB TUBE 2.895DIA X 4OD X 3.25L (4850,4990) (BLACK)	1	6425AT + NON-HD MODELS (EXCLUDES 6850)
3	AAB-015-10134	BOLT HEX 3/4 X 2-1/2 UNC GRD 8	4	
4	AAB-015-10215	HEX BOLT 1 X 6 UNC GRD 8	1	
5	AAB-015-20016	NUT HEX LOCK NYLON 3/4 UNC GRD 8	4	
6	AAB-015-20026	NUT HEX LOCK NYLON 1 UNC GRD 8	1	
7	AAB-015-10134	BOLT HEX 3/4 X 2-1/2 UNC GRD 8	4	6850 + 6850AT + ALL HD MODELS
7	AAB-015-10145	BOLT HEX 3/4 X 3-1/2 UNC GRD 8	4	6425AT + NON-HD MODELS (EXCLUDES

Pos	SKU	Description	Qty	Remark
				6850)
8	AAA-002-03052	TOWING EYE HITCH ASSY (4000/5000 SINGLES, 4650/4750, 5650/5750 & T-SERIES)	1	
9	AAA-002-01202	BALL HITCH ASSY KIT	1	
10	AAA-002-00992	ADJUSTABLE CAST HITCH ASSY (4000/5000 SINGLES, 4650/4750, 5650/5750 & T-SERIES)	1	
11	AAA-002-00993	ADJUSTABLE CAST HITCH ASSY (4850/4990 & HD SERIES)	1	
12	AAB-002-00233-P3	CAST HTCH CLEVIS 1-5/8T (BLACK)	1	6425AT + NON-HD MODELS (EXCLUDES 6850)
12	AAB-002-00237-P3	CAST HTCH CLEVIS 7/8T (BLACK)	1	6850 + 6850AT + ALL HD MODELS

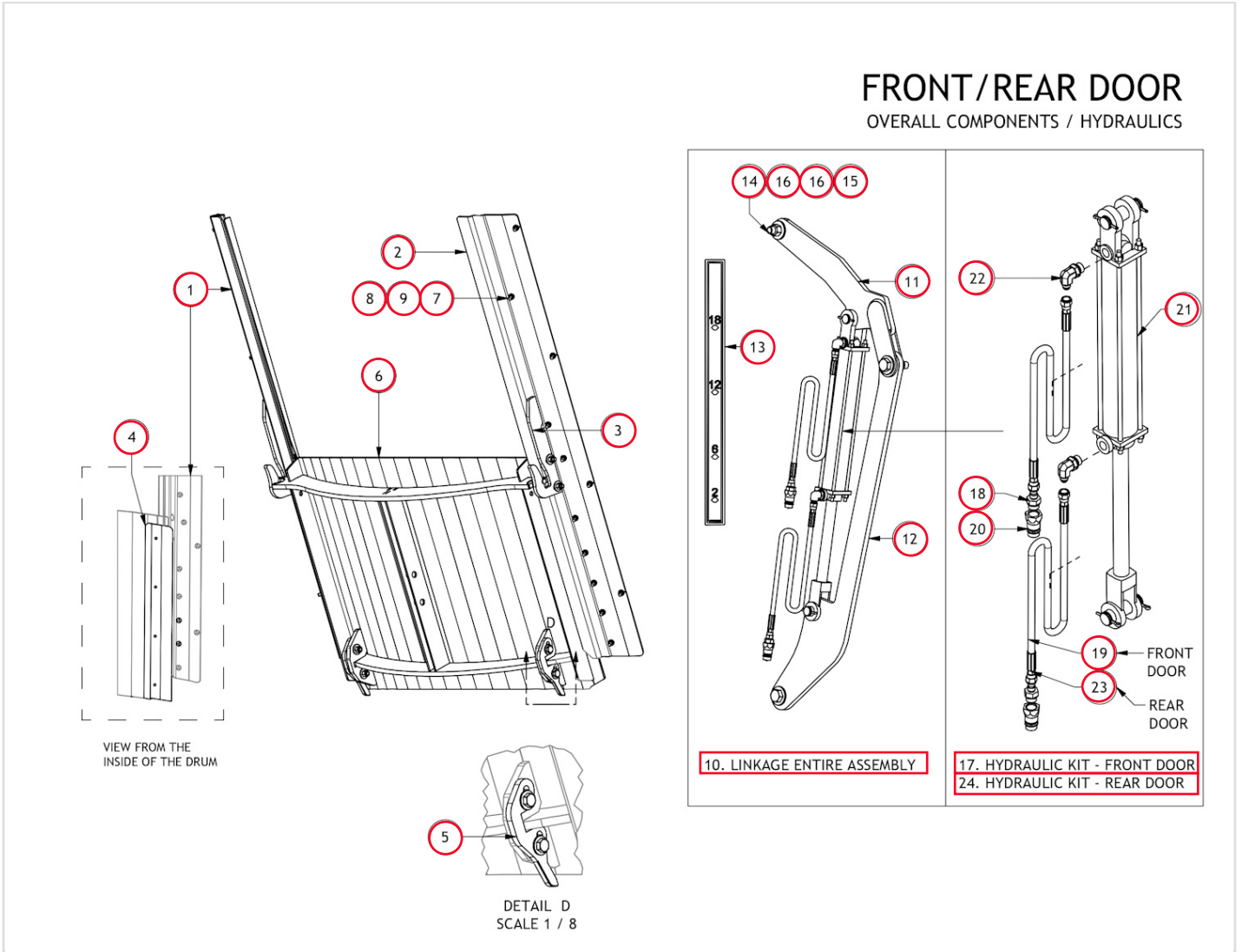
# DRUM COMPONENTS

STRUCTURAL AND FUNCTIONAL COMPONENTS OF THE MIXING DRUM

INCLUDES DRUM-MOUNTED COMPONENTS SUCH AS DOORS, EXTENSIONS, CYLINDERS, LINKAGES, AND INTERNAL ACCESSORIES.



Pos	SKU	Description	Qty	Remark
-----	-----	-------------	-----	--------

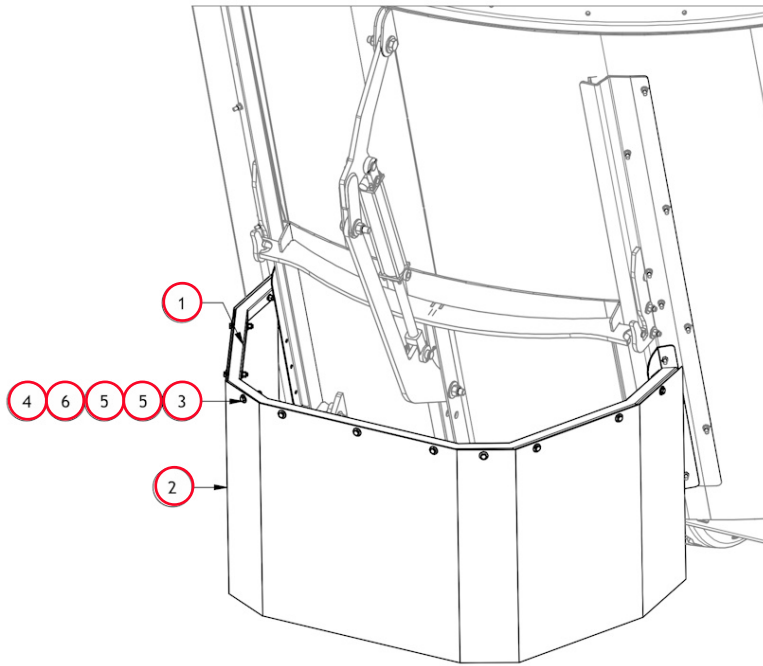


Pos	SKU	Description	Qty	Remark
1	AAA-001-03536	FORMED DOOR TRACK FRT RTH & REAR LTH 1/4T - PAINTED	1	ALL MACHINES (EXCEPT 6400 & 6600)
1	AAA-001-03537	FORMED DOOR TRACK FRT LTH & REAR RTH 1/4T - PAINTED	1	ALL MACHINES (EXCEPT 6400 & 6600)
2	AAA-001-03744	FORMED DOOR TRACK FRT RTH & REAR LTH LOW PROFILE 1/4T - PAINTED	1	6400 & 6600 ONLY
2	AAA-001-03745	FORMED DOOR TRACK FRT LTH & REAR RTH LOW PROFILE 1/4T - PAINTED	1	6400 & 6600 ONLY
3	AAA-001-03562-P3	FRT/REAR CTR DOOR UPPR GUIDE 1/2T	2	
3	AAB-015-10087	BOLT CARRIAGE 1/2 X 1-3/4 UNC GRD 5	4	
3	AAB-015-20019	NUT HEX LOCK NYLON 1/2 UNC GRD 5	4	
3	AAB-015-30013	WSHR FLAT 1/2 USS	4	
4	AAA-001-03878C	FRT & REAR CTR DOOR WEAR PLT WITH FLANGE 90DIA SS 12GA	1	6350, 6650, 6750 ONLY
4	AAA-001-03879C	FRT & REAR CTR DOOR WEAR PLT WITH FLANGE 96DIA SS 12GA	1	6425 & 6850 ONLY
4	AAA-001-03880C	FRT & REAR CTR DOOR WEAR PLT WITH FLANGE 101DIA SS 12GA	1	6575, 61000HD, 61250HD ONLY

Pos	SKU	Description	Qty	Remark
4	AAA-001-03881C	FRT & REAR CTR DOOR WEAR PLT WITH FLANGE 101DIA LP SS 12GA	1	6400 ONLY
4	AAA-001-03882C	FRT & REAR CTR DOOR WEAR PLT WITH FLANGE 96DIA LP SS 12GA	1	6600 ONLY
5	AAA-001-03885-P3	6K FRT/REAR CTR DOOR LWR SIDE PIN 1/2T - BLACK	2	
5	AAB-015-10064	BOLT HEX 1/2 X 2 UNC GRD 5	2	
5	AAB-015-20019	NUT HEX LOCK NYLON 1/2 UNC GRD 5	2	
5	AAB-015-30013	WSHR FLAT 1/2 USS	4	
6	AAA-001-03891	6K FRT/REAR DOOR FORMED 101.5DIA - PAINTED	1	6575, 61000HD, 61250HD ONLY
6	AAA-001-03893	6K FRT/REAR DOOR FORMED 96DIA - PAINTED	1	6425 & 6850 ONLY
6	AAA-001-03895	6K FRT/REAR DOOR FORMED 90DIA - PAINTED	1	6350, 6650, 6750 ONLY
6	AAA-001-03897	6K FRT/REAR DOOR FORMED 96DIA LP - PAINTED	1	6600 ONLY
6	AAA-001-03899	6K FRT/REAR DOOR FORMED 101.5DIA LP - PAINTED	1	6400 ONLY
7	AAB-015-10061 SS	BOLT CARRIAGE SS 3/8-16 X 1-1/2	24	
8	AAB-015-20017	NUT HEX 3/8 UNC GRD 2	24	
9	AAB-015-30017	WSHR LOCK 3/8	24	
10	AAA-001-03549	LP FRT DOOR ARM AND LINKAGE KIT (6000 SERIES)	1	6400 & 6600 ONLY
10	AAA-001-03671	FRT DOOR ARM & LINKAGE KIT (6000 SERIES)	1	ALL MACHINES (EXCEPT 6400 & 6600)
11	AAA-001-00536-P3	DOOR CYL ARM WELDMNT SINGLE CYDR HOLE	1	ALL MACHINES (EXCEPT 6400 & 6600)
11	AAA-001-01349-P3	LWR DOOR ARM WELDMNT LP CYDR HOLE (PAINTED)	1	6400 & 6600 ONLY
12	AAA-001-00737-P3	ARM LONG FOR DOOR	1	
13	AAB-012-00115	DECAL DOOR HEIGHT MARKER 5000 SERIES	2	
14	AAB-015-10079	BOLT HEX 3/4 X 3 UNC GRD 5	3	
15	AAB-015-20016	NUT HEX LOCK NYLON 3/4 UNC GRD 8	3	
16	AAB-015-30015	WSHR FLAT 3/4 USS	6	
17	AAA-009-00443	KIT HOSE AND FIT / 12 INCH CYL FRT DOOR TWINS & SNGL 5000	1	HYD. KIT FRONT DOOR - ALL MACHINES (EXCEPT 6400 & 6600)
17	AAA-009-00444	KIT HOSE AND FIT / 10 INCH CYL FRT DOOR LP MACHINES	1	HYD. KIT FRONT DOOR - 6400 & 6600 ONLY
18	AAB-009-00074	FIT ADPT 6 MJIC X 8 MORB	2	

Pos	SKU	Description	Qty	Remark
19	AAB-009-00144	HOSE HYD 1/4DIA SNGL BRAID 6 FJIC SWIVEL X 6 FJIC SWIVEL 150L	2	HYD. HOSE FOR FRONT DOOR - ANY MODEL
20	AAB-009-00322	FIT ADPT 8 MQDC X 8 FORB POPPET STYLE	2	
21	AAB-009-00237	HYD CYL 10" STROKE X 2" BORE	1	6400 & 6600 ONLY
21	AAB-009-00330	CYL HYD 12IN STROKE X 2 IN BORE WITH PINS AND CLIPS	1	ALL MACHINES (EXCEPT 6400 & 6600)
22	AAB-009-00352	FIT 90DEG 6 MJIC X 8 MORB ADJ	2	
23	AAA-009-01200	HOSE HYD 1/4DIA SINGLE BRAID 6 FJIC SWIVEL X 6 FJIC SWIVEL 403L	2	REAR DOOR - 6350, 6400, 6425, 6575 HOSES
23	AAA-009-01202	HOSE HYD 1/4DIA SINGLE BRAID 6 FJIC SWIVEL X 6 FJIC SWIVEL 532L	2	REAR DOOR - 6650 & 6750 HOSES
23	AAA-009-01204	HOSE HYD 1/4DIA SINGLE BRAID 6 FJIC SWIVEL X 6 FJIC SWIVEL 572L	2	REAR DOOR - 6600, 6850, 61000HD, 61250HD HOSES
24	AAA-009-01201	KIT HOSE AND FIT / 12 INCH CYL REAR DOOR SNGL 6000	1	HYD. KIT REAR DOOR - 6350, 6425, 6575
24	AAA-009-01203	KIT HOSE AND FIT / 12 INCH CYL REAR DOOR 6000 TWINS 90"	1	HYD. KIT REAR DOOR - 6650 & 675
24	AAA-009-01205	KIT HOSE AND FIT / 12 INCH CYL REAR DOOR 6000 TWINS 96" & 101"	1	HYD. KIT REAR DOOR - 6850, 61000HD, 61250HD
24	AAA-009-01206	KIT HOSE AND FIT / 10 INCH CYL REAR DOOR LP MACHINES	1	HYD. KIT REAR DOOR - 6400 & 6600 ONLY

## REAR DOOR SHIELD

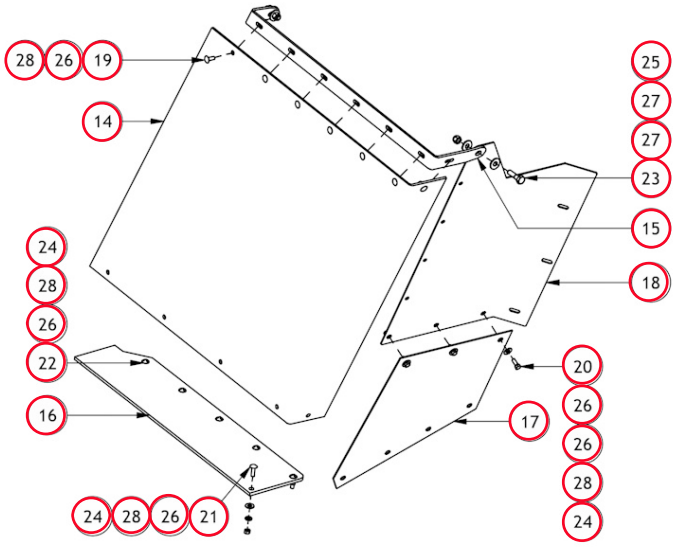
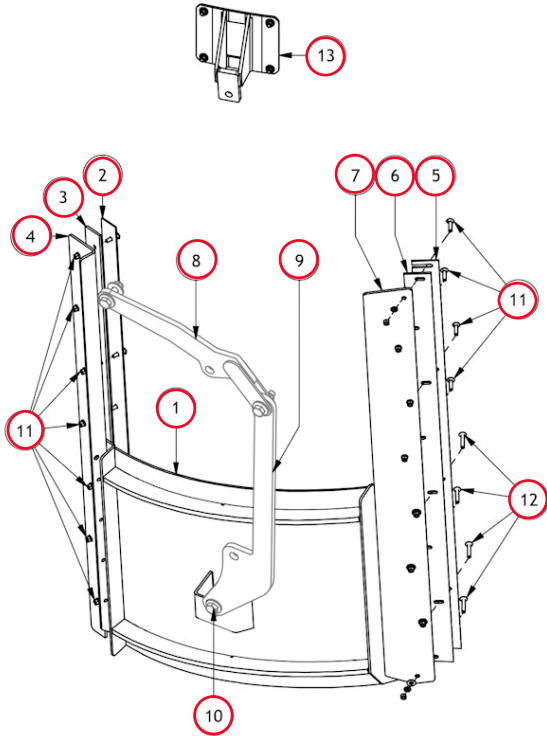


Pos	SKU	Description	Qty	Remark
1	AAA-001-03907	REAR DOOR BAR AND MOUNTS	1	ALL MODELS (EXCEPT 6400 & 6600)
1	AAA-001-03908	6K REAR DOOR BAR AND MOUNTS-LP	1	ONLY 6400 & 6600
2	AAA-001-03913	6K REAR DOOR SAFETY BAR TARP	1	
3	AAB-015-10425	BOLT HEX 3/8 X 2 1/2 GRD 5	11	
4	AAB-015-20017	NUT HEX 3/8 UNC GRD 2	11	
5	AAB-015-30012	WSHR FLAT 3/8 USS	22	
6	AAB-015-30017	WSHR LOCK 3/8	11	

## CORNER DOOR

OVERALL COMPONENTS / SHIELDS

\*MOUNT REQUIRED BY  
MODEL 61250HD ONLY



NOTE:  
- LTH SIDE DOOR TRACK BOLTS ARE ALL THE SAME HOWEVER  
FOURTH LOWEST BOLT HOLES ON THE RTH SIDE DOOR TRACK WILL  
GET LONGER BOLTS THAN UPPER BOLTS

NOTE:  
- ILLUSTRATION SHOWS CORNER DOOR SHIELD WITH DROP FLOOR  
OPTION.  
- UNITS WITHOUT DROP FLOOR USE THE SAME BASE SHIELD  
EXCLUDING ITEMS 16-17.  
- REFER TO REMARKS COLUMN FOR APPLICABILITY.

Pos	SKU	Description	Qty	Remark
1	AAA-001-00272	DRUM DOOR WELDMENT 525T	1	6425, 6850 ONLY
1	AAA-001-00330	DRUM DOOR WELDMENT 610T	1	6575, 61000HD, 61250HD ONLY
1	AAA-001-00334	DRUM DOOR WELDMENT 445T	1	6350, 6650, 6750 ONLY
1	AAA-001-01647	96" LP CORNER DOOR WELDMENT	1	6600 ONLY
1	AAA-001-01668	101.5" LP CORNER DOOR WELDMENT	1	6400
2	AAA-001-00621	SPCR INNER CORNER DOOR REAR 1/8T (PAINTED)	1	
3	AAA-001-00622	SPCR INNER CORNER DOOR REAR 64-1/4H X 1/4T (PAINTED)	1	
4	AAA-001-00623	TRACK OUTER CORNER DOOR REAR 64-1/4H X 1/4T (PAINTED)	1	
5	AAA-001-00859	INNER DOOR SPCR 1/8T X 67H (PAINTED)	1	
6	AAA-001-00860	INNER DOOR SPCR 1/4T X 67H (PAINTED)	1	
7	AAA-001-00901	OUTER DOOR TRACK 1/4T X 67-1/2H (CORNER DOORS) (PAINTED)	1	

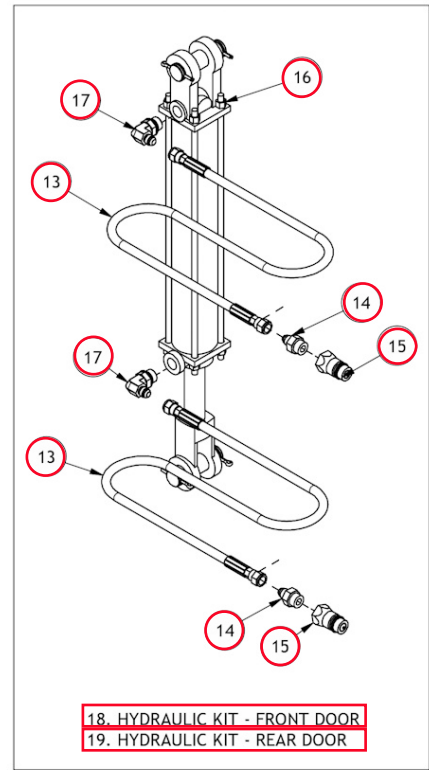
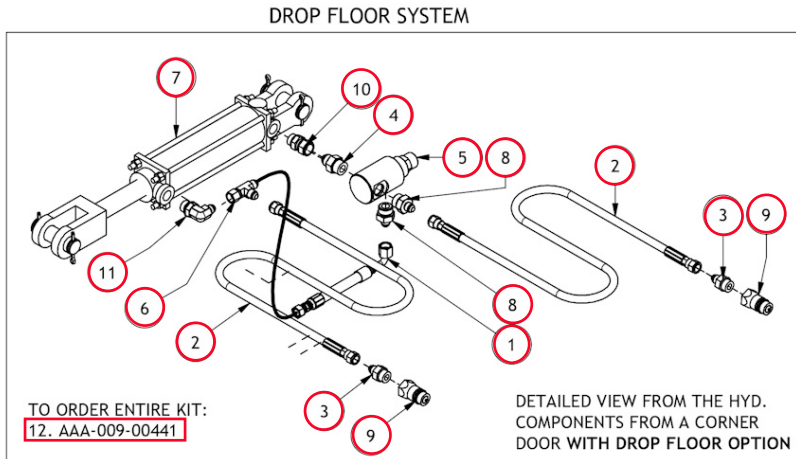
Pos	SKU	Description	Qty	Remark
8	AAA-001-00536-P3	DOOR CYL ARM WELDMENT SINGLE CYDR HOLE	1	ALL MODELS (EXCEPT 6400 & 6600)
8	AAA-001-01349-P3	LWR DOOR ARM WELDMENT LP CYDR HOLE (PAINTED)	1	6400 & 6600 ONLY
9	AAA-001-00737-P3	ARM LONG FOR DOOR	1	
10	AAB-015-10079	BOLT HEX 3/4 X 3 UNC GRD 5	3	
10	AAB-015-20016	NUT HEX LOCK NYLON 3/4 UNC GRD 8	3	
10	AAB-015-30015	WSHR FLAT 3/4 USS	6	
11	AAB-015-10061	BOLT CARRIAGE 3/8 X 1-1/2 UNC GRD 5	15	
11	AAB-015-20017	NUT HEX 3/8 UNC GRD 2	15	
11	AAB-015-30017	WSHR LOCK 3/8	15	
12	AAB-015-10081	BOLT CARRIAGE 3/8 X 2 UNC GRD 5	4	
12	AAB-015-20017	NUT HEX 3/8 UNC GRD 2	4	
12	AAB-015-30012	WSHR FLAT 3/8 USS	4	
12	AAB-015-30017	WSHR LOCK 3/8	4	
13	AAA-001-01727-P3	TOP CYL MNT CRNR DOOR 51250 (PARTS ORDER)	1	
13	AAB-015-10060	BOLT CARRIAGE 3/8 X 1-1/4 UNC GRD 2	4	
13	AAB-015-20017	NUT HEX 3/8 UNC GRD 2	4	
13	AAB-015-30012	WSHR FLAT 3/8 USS	4	
13	AAB-015-30017	WSHR LOCK 3/8	4	
14	AAA-001-00651	DISCHARGE SHIELD W/ LWR SUPT 1/4T	1	
15	AAA-001-00646	DISCHARGE SHIELD HINGE 1/4T (90" & 96" DIA)	1	6350, 6650, 6750, 6425, 6850, 6600 ONLY
15	AAA-001-00652	DISCHARGE SHIELD HINGE 1/4T (101.5" DIA)	1	6400, 6575, 61000HD, 61250HD ONLY
16	AAA-001-00540	FLR EXT HDPE 3/8T FOR 90 TO 96 DIA DROP FLR MIXERS	1	6350, 6650, 6750, 6425, 6850, 6600 ONLY
16	AAA-001-00549	FLR EXT HDPE 3/8T FOR 101.5" DIA DROP FLR MIXERS	1	6400, 6575, 61000HD, 61250HD ONLY
17	AAA-001-00693	LWR DRUM RUBR SHIELD 1/8T (90" & 96" DIA)	1	6350, 6650, 6750, 6425, 6850, 6600 ONLY
17	AAA-001-00819	LWR DRUM RUBR SHIELD 1/8T (101.5" DIA)	1	6400, 6575, 61000HD, 61250HD ONLY
18	AAA-001-00293	SHIELD DRUM 1/8T (96" DIA)	1	6425, 6850, 6600 ONLY
18	AAA-001-00328	SHIELD DRUM 1/8T (90" DIA)	1	6350, 6650, 6750 ONLY

Pos	SKU	Description	Qty	Remark
18	AAA-001-00336	DOOR SIDE SHIELD 1/8T (101.5" DIA)	1	6575, 61000HD, 61250HD ONLY
18	AAA-001-00365	SHIELD DRUM 1/8T LP (101.5" DIA)	1	6400 ONLY
18	AAA-001-01692	DRUM SHIELD LP 1/8T (96" DIA)	1	6600 ONLY
19	AAB-015-10028	BOLT CARRIAGE 3/8-16 X 1 GRD 5	7	
20	AAB-015-10056	BOLT HEX 3/8 X 1 UNC GRD 2	3	
21	AAB-015-10060	BOLT CARRIAGE 3/8 X 1-1/4 UNC GRD 2	1	
22	AAB-015-10061	BOLT CARRIAGE 3/8 X 1-1/2 UNC GRD 5	5	
23	AAB-015-10064	BOLT HEX 1/2 X 2 UNC GRD 5	2	
24	AAB-015-20017	NUT HEX 3/8 UNC GRD 2	16	
25	AAB-015-20019	NUT HEX LOCK NYLON 1/2 UNC GRD 5	2	
26	AAB-015-30012	WSHR FLAT 3/8 USS	19	
27	AAB-015-30013	WSHR FLAT 1/2 USS	4	
28	AAB-015-30017	WSHR LOCK 3/8	16	

# CORNER DOOR

HYDRAULICS

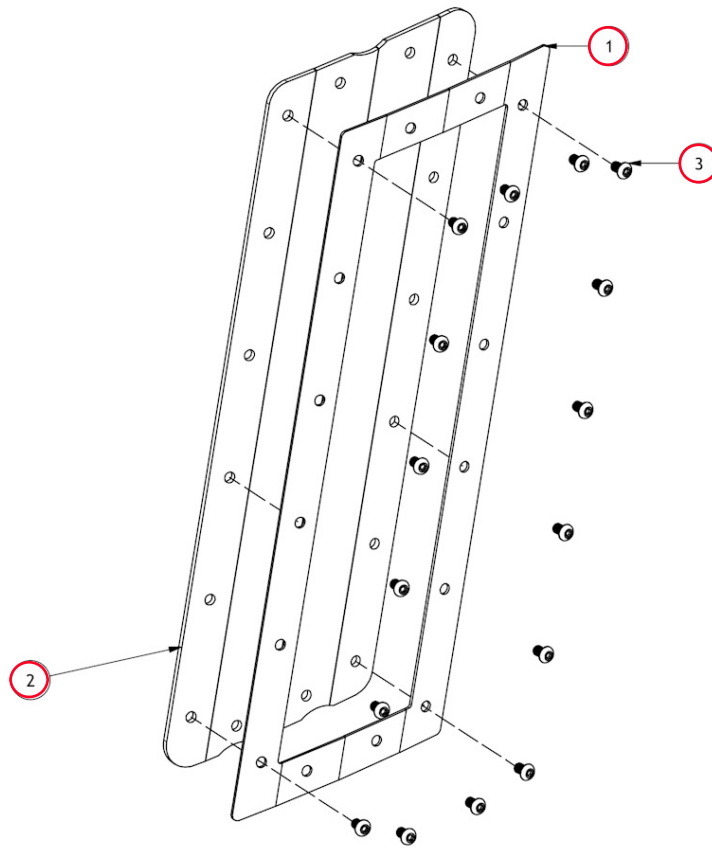
## VERTICAL DOOR CYLINDER



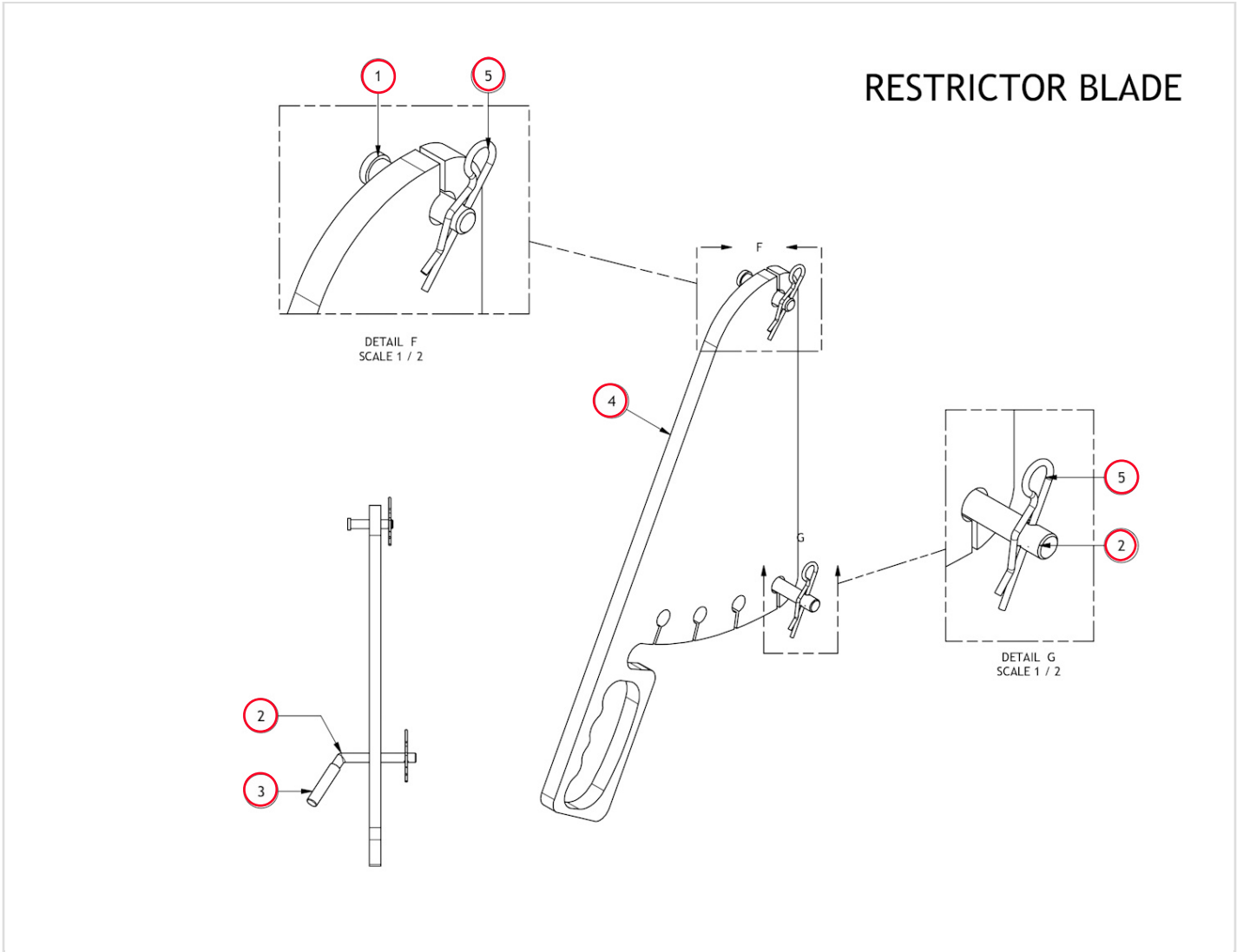
Pos	SKU	Description	Qty	Remark
1	AAA-009-00148	HOSE HYD 1/4DIA SINGLE BRAID 6 FJIC X 90DEG 6 FJIC 7L 3000PSI	1	
2	AAA-009-00256	HOSE HYD 1/4DIA SINGLE BRAID 6 FJIC SWIVEL X 6 FJIC SWIVEL 230L	2	
3	AAB-009-00074	FIT ADPT 6 MJIC X 8 MORB	2	
4	AAB-009-00080	FIT ADPT 8 MJIC X 10 MORB	1	
5	AAB-009-00110	VALVE PRESSURE RELIEF 400 PSI - #10 SAE THREAD	1	
6	AAB-009-00148	FIT TEE 6 FJIC X 6 MJIC X 6 MJIC	1	
7	AAB-009-00230	HYD CYDR 6 STROKE X 2DIA	1	
8	AAB-009-00253	FIT ADPT 6 MJIC X 10 MORB	2	
9	AAB-009-00322	FIT ADPT 8 MQDC X 8 FORB POPPET STYLE	2	
10	AAB-009-00341	FIT ADPT 8 FJIC X 8 MORB	1	
11	AAB-009-00352	FIT 90DEG 6 MJIC X 8 MORB ADJ	1	
12	AAA-009-00441	KIT HOSE & FIT / 6 INCH CYL FRT RTH DROP FLOOR TWIN & SNGL 5000	1	
13	AAA-009-00155	HOSE HYD 1/4DIA DOUBLE BRAID 6 FJIC SWIVEL X 6 FJIC SWIVEL 300L 3000PSI	2	FRONT-RIGHT CORNER

Pos	SKU	Description	Qty	Remark
				DOORS ONLY
13	AAA-009-00257	HOSE HYD 1/4DIA DOUBLE BRAID 6 FJIC SWIVEL X 6 FJIC SWIVEL 540L	2	REAR-LEFT CORNER DOORS ON TWIN MIXERS ONLY
13	AAA-009-00258	HOSE HYD 1/4DIA DOUBLE BRAID 6 FJIC SWIVEL X 6 FJIC SWIVEL 340L	2	REAR-LEFT CORNER DOORS ON SINGLE MIXERS ONLY
14	AAB-009-00074	FIT ADPT 6 MJIC X 8 MORB	2	
15	AAB-009-00322	FIT ADPT 8 MQDC X 8 FORB POPPET STYLE	2	
16	AAB-009-00237	HYD CYL 10" STROKE X 2" BORE	1	6400 & 6600 ONLY
16	AAB-009-00330	CYL HYD 12IN STROKE X 2 IN BORE WITH PINS AND CLIPS	1	ALL MODELS (EXCEPT 6400 & 6600)
17	AAB-009-00352	FIT 90DEG 6 MJIC X 8 MORB ADJ	2	
18	AAA-009-00442	KIT HOSE & FIT / 12 INCH CYL FRT RTH DOOR TWIN & SNGL 5000	1	FRONT-RIGHT CORNER DOORS ONLY (EXCEPT 6400 & 6600)
18	AAA-009-00445	KIT HOSE AND FIT / 10 INCH CYL FRT RTH DOOR LP MACHINES TWIN AND SNGL 5000	1	FRONT-RIGHT CORNER DOORS 6400 & 6600 ONLY
19	AAA-009-00439	KIT HOSE & FIT / 12 INCH CYL REAR LTH DOOR TWINS 5000	1	REAR-LEFT CORNER DOORS ON TWIN MIXERS ONLY (EXCEPT 6600)
19	AAA-009-00440	KIT HOSE & FIT / 12 INCH CYL REAR LTH DOOR SNGL 5000	1	REAR-LEFT CORNER DOORS ON SINGLE MIXERS ONLY (EXCEPT 6400)
19	AAA-009-00446	KIT HOSE AND FIT / 10 INCH CYL REAR LTH DOOR LP SNGL 5000	1	REAR-LEFT CORNER DOORS ON 6400 ONLY
19	AAA-009-00447	KIT HOSE AND FIT / 10 INCH CYL REAR LTH DOOR LP TWINS	1	REAR-LEFT CORNER DOORS ON 6600 ONLY

VIEWING WINDOW

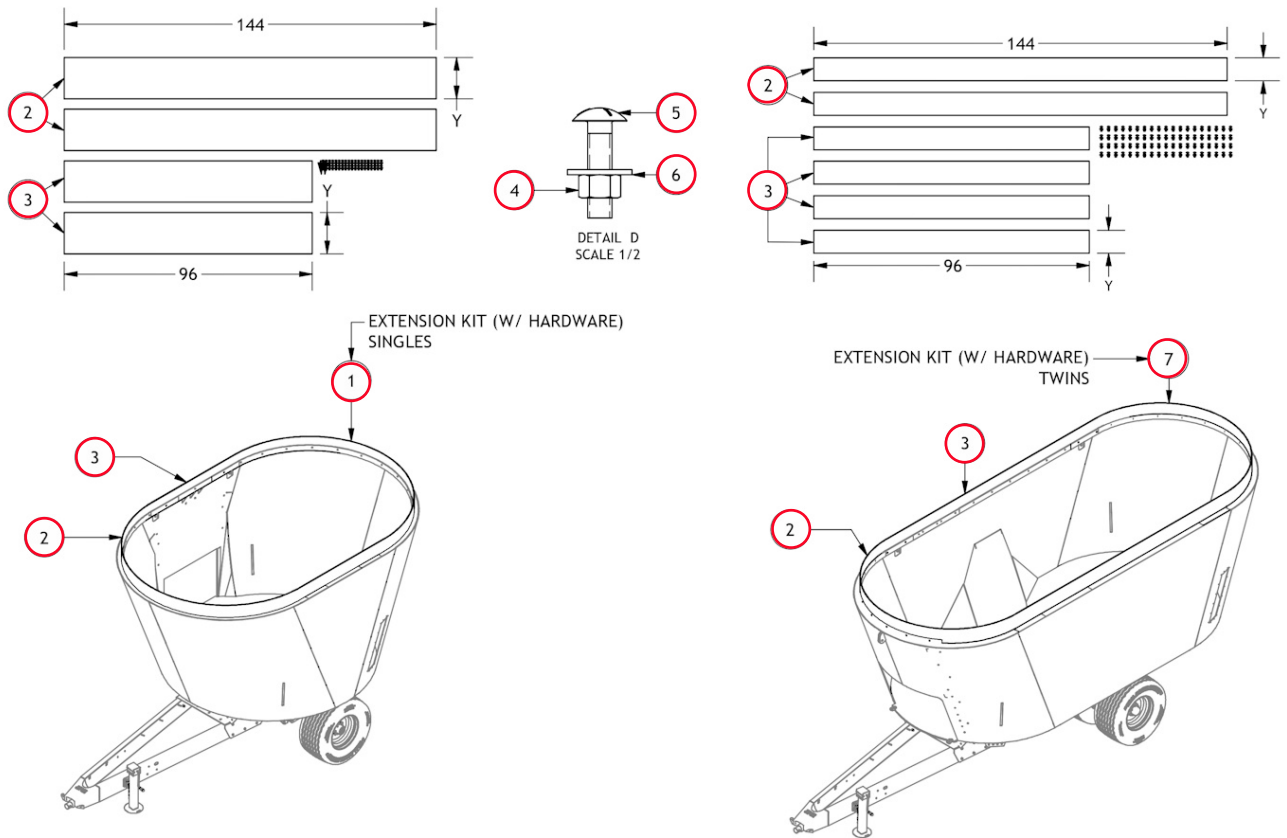


Pos	SKU	Description	Qty	Remark
1	AAA-001-03883-P3	6K VIEWING WINDOW BORDER PAINTED BLACK	1	
2	AAB-001-00063	VWNG WNDW POLYCARBONATE CLEAR AR2 1/4T	1	
3	AAB-015-10602	BUTTON HEAD HEX DRIVE 3/8-16 X 5/8L GRD 5 ZINC	16	



Pos	SKU	Description	Qty	Remark
1	AAB-001-00017	PIN PIVOT 1/2 X 2	1	
2	AAB-001-00020	PIN BENT ADJUSTMENT 1/2 X 3-5/8 FOR RB	1	
3	AAB-015-40009	GRIP ADJUSTMENT PIN VINYL 1/2 X 2-1/2	1	
4	AAA-001-01346-P3	RB 5000 SERIES (PAINTED)	1	
5	AAB-001-00019	PIN HTCH CLIP 1/8 X 2-9/16	2	

## EXTENSIONS



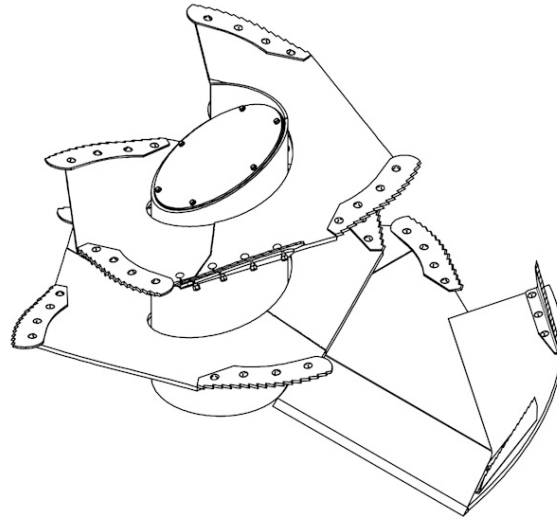
Pos	SKU	Description	Qty	Remark
1	AAA-001-03145	SALES KIT SINGLE AUGER 8" DRUM EXT. UV STABILIZED HDPE BLACK	1	KIT FOR SINGLE MIXERS - 8" DRUM EXT.
1	AAA-001-03146	SALES KIT SINGLE AUGER & 5275 TWIN 12" DRUM EXT. UV STABILIZED HDPE BLACK	1	KIT FOR SINGLE MIXERS - 12" DRUM EXT.
1	AAA-001-03147	SALES KIT SINGLE AUGER 16" DRUM EXT. UV STABILIZED HDPE BLACK	1	KIT FOR SINGLE MIXERS - 16" DRUM EXT.
2	AAA-001-00630	HDPE EXT 8H UV STABILIZED 0.22T	2	HDPE EXT 8H UV STABILIZED 0.22T
2	AAA-001-00631	HDPE EXT 12H UV STABILIZED 0.22T	2	HDPE EXT 12H UV STABILIZED 0.22T
2	AAA-001-00632	HDPE EXT 16H UV STABILIZED 0.22T	2	HDPE EXT 16H UV STABILIZED 0.22T

Pos	SKU	Description	Qty	Remark
3	AAA-001-00635	HDPE EXT 8H UV STABILIZED 0.375T	2	HDPE EXT 8H UV STABILIZED 0.375T
3	AAA-001-00636	HDPE EXT 12H UV STABILIZED 0.375T	2	HDPE EXT 12H UV STABILIZED 0.375T
3	AAA-001-00637	HDPE EXT 16H UV STABILIZED 0.375T	2	HDPE EXT 16H UV STABILIZED 0.375T
4	AAB-015-20017	NUT HEX 3/8 UNC GRD 2	38	
5	AAB-015-10061	BOLT CARRIAGE 3/8 X 1-1/2 UNC GRD 5	38	
6	AAB-015-30012	WSHR FLAT 3/8 USS	38	
7	AAA-001-03148	SALES KIT TWIN AUGER 16" DRUM EXT. UV STABILIZED HDPE BLACK	1	KIT FOR TWIN MIXERS - 16" DRUM EXT.
7	AAA-001-03149	SALES KIT TWIN AUGER 12" DRUM EXT. UV STABILIZED HDPE BLACK	1	KIT FOR TWIN MIXERS - 12" DRUM EXT.
7	AAA-001-03150	SALES KIT TWIN AUGER 8" DRUM EXT. UV STABILIZED HDPE BLACK	1	KIT FOR TWIN MIXERS - 8" DRUM EXT.

# AUGER SYSTEMS

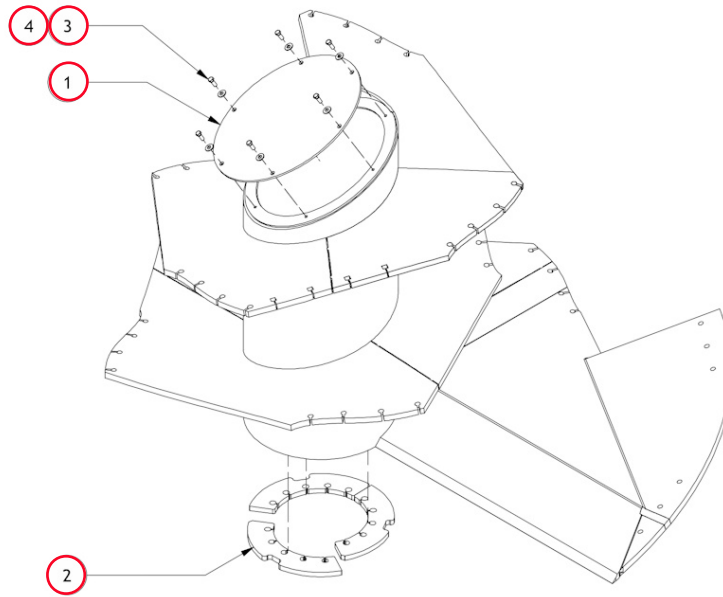
## AUGER COMPONENTS AND KNIFE CONFIGURATIONS

THIS SECTION COVERS AUGER ASSEMBLIES AND KNIFE CONFIGURATIONS USED FOR MIXING AND MATERIAL PROCESSING.



Pos	SKU	Description	Qty	Remark
-----	-----	-------------	-----	--------

# SLIDE PLATE AUGER



90" DRUMS

6350 / 6650 / 6750 / 6750HD	
WITHOUT CLAD	BOTTOM FLIGHT CLAD
5. AAA-005-01081	6. AAA-005-01113

96" DRUMS

6425 / 6425AT / 6850 / 6850HD / 6850AT	
WITHOUT CLAD	BOTTOM FLIGHT CLAD
7. AAA-005-01082	8. AAA-005-01114

101.5" DRUMS

6575 / 61000HD / 61250HD	
WITHOUT CLAD	BOTTOM FLIGHT CLAD
11. AAA-005-01083	12. AAA-005-01115

6600	
WITHOUT CLAD	BOTTOM FLIGHT CLAD
9. AAA-005-01153	10. AAA-005-01111

6400	
WITHOUT CLAD	BOTTOM FLIGHT CLAD
13. AAA-005-01149	14. AAA-005-01112

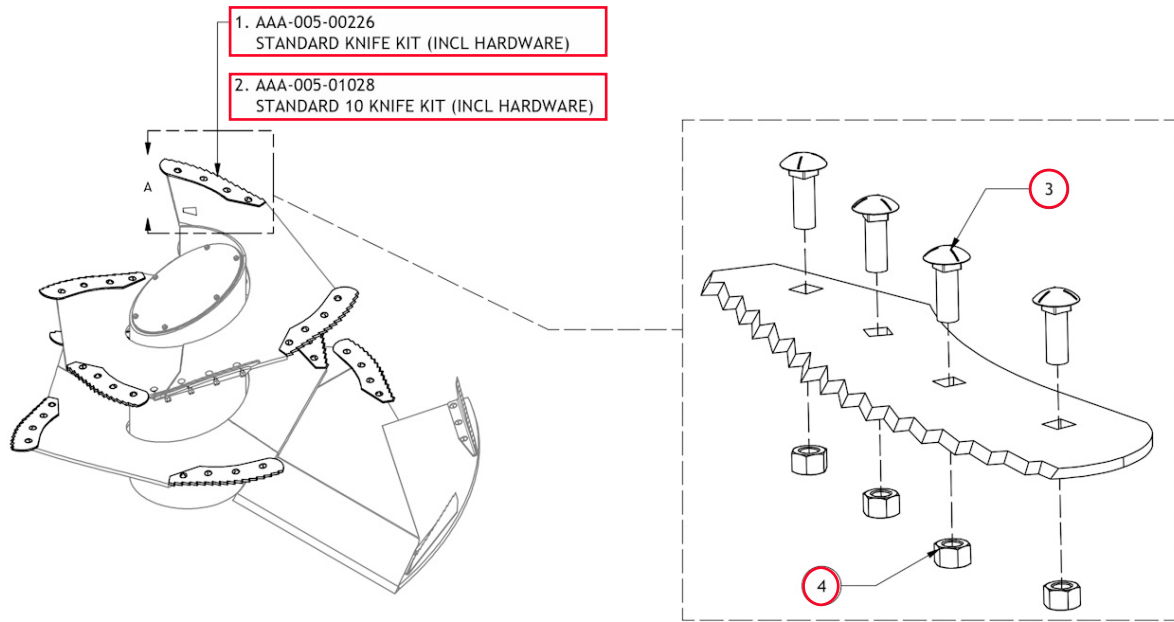
Pos	SKU	Description	Qty	Remark
1	AAA-005-00066	4000 SERIES AUGER CAP	1	6350 / 6650 / 6750 / 6425 / 6600 / 6850
1	AAA-005-00086	3000 SERIES AUGER CAP	1	6400 / 6575 / 61000HD / 61250HD
2	AAA-005-01080	INCOMP SLIDE PLT AUGER FASTENING RING PG1602 & PG1603/ 0.625T	3	
3	AAB-015-10056	BOLT HEX 3/8 X 1 UNC GRD 2	6	
4	AAB-015-30012	WSHR FLAT 3/8 USS	6	
5	AAA-005-01081	INCOMP SLIDE PLT AUGER ASSY 90DIA/ 0.75T	1	
6	AAA-005-01113	INCOMP SLIDE PLT AUGER W/ CLADDING 90DIA/ 0.75T	1	
7	AAA-005-01082	INCOMP SLIDE PLT AUGER ASSY 96DIA/ 0.75T	1	
8	AAA-005-01114	INCOMP SLIDE PLT AUGER W/ CLADDING 96DIA/ 0.75T	1	
9	AAA-005-01083	INCOMP SLIDE PLT AUGER ASSY 101.5DIA/ 0.75T	1	
10	AAA-005-01115	INCOMP SLIDE PLT AUGER W/ CLADDING 101.5DIA/ 0.75T	1	

---

<b>Pos</b>	<b>SKU</b>	<b>Description</b>	<b>Qty</b>	<b>Remark</b>
11	AAA-005-01153	INCORP SLIDE PLT AUGER ASSY 96DIA LP / 0.75T	1	
12	AAA-005-01111	4000 SERIES AUGER W/ CLADDING 96DIA/ LP/ 0.75T	1	
13	AAA-005-01149	INCORP SLIDE PLT AUGER ASSY 101DIA LP / 0.75T	1	
14	AAA-005-01112	4000 SERIES AUGER W/ CLADDING 101.5DIA/ LP/ 0.75T	1	

---

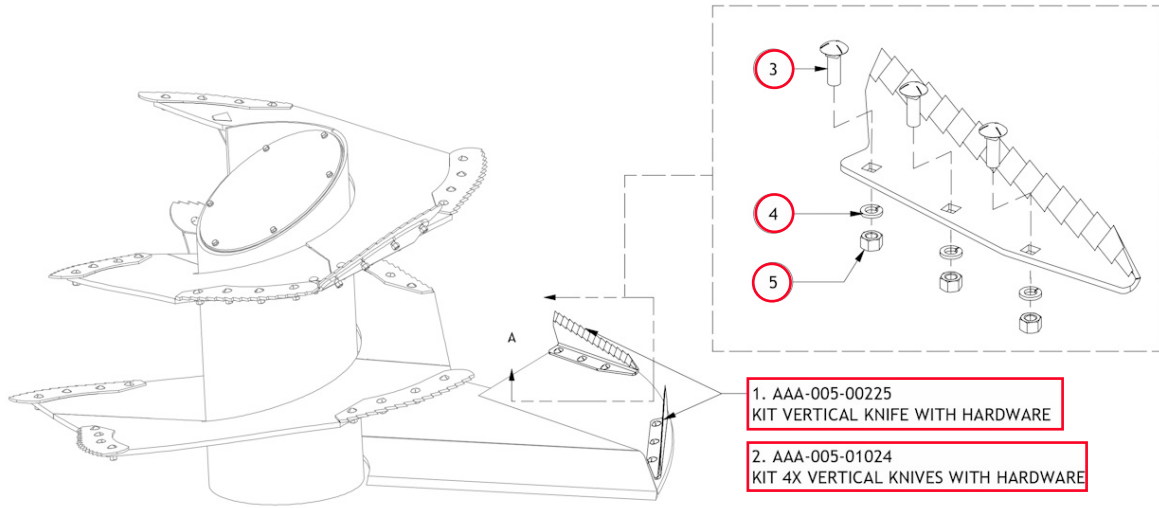
## STANDARD KNIVES



NOTE:  
SINGLE AND TWIN AUGER  
CONFIGURATIONS - QTY VARIES BY MIXER

Pos	SKU	Description	Qty	Remark
1	AAA-005-00226	STANDARD KNIFE KIT (INCL HARDWARE)	1	
2	AAA-005-01028	STANDARD 10 KNIFE KIT (INCL HARDWARE)	1	
3	AAB-015-10066	BOLT CARRIAGE 1/2 X 1-1/2 UNC GRD 5	4	
4	AAB-015-20011	NUT HEX 1/2 UNC GRD 5	4	

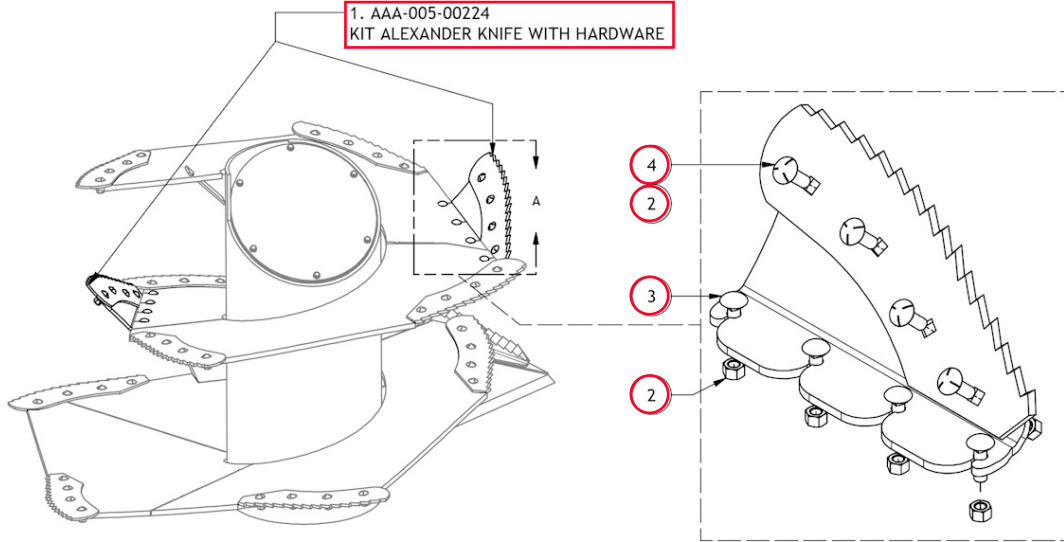
## VERTICAL KNIVES



NOTE:  
SINGLE AND TWIN AUGER  
CONFIGURATIONS - QTY VARIES BY MIXER

Pos	SKU	Description	Qty	Remark
1	AAA-005-00225	VERTICAL KNIFE KIT (INCL HARDWARE)	1	
2	AAA-005-01024	VERTICAL KNIFE KIT OF 4 W/ HARDWARE	1	
3	AAB-015-10066	BOLT CARRIAGE 1/2 X 1-1/2 UNC GRD 5	3	
4	AAB-015-30018	WSHR LOCK 1/2	3	
5	AAB-015-20011	NUT HEX 1/2 UNC GRD 5	3	

# ALEXANDER KNIVES



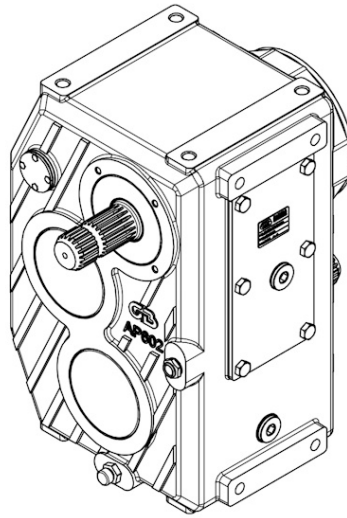
NOTE:  
SINGLE AND TWIN AUGER  
CONFIGURATIONS - QTY VARIES BY MIXER

Pos	SKU	Description	Qty	Remark
1	AAA-005-00224	ALEXANDER KNIFE KIT (INCL HARDWARE)	1	
2	AAB-015-20011	NUT HEX 1/2 UNC GRD 5	8	
3	AAB-015-10087	BOLT CARRIAGE 1/2 X 1-3/4 UNC GRD 5	4	
4	AAB-015-10066	BOLT CARRIAGE 1/2 X 1-1/2 UNC GRD 5	4	

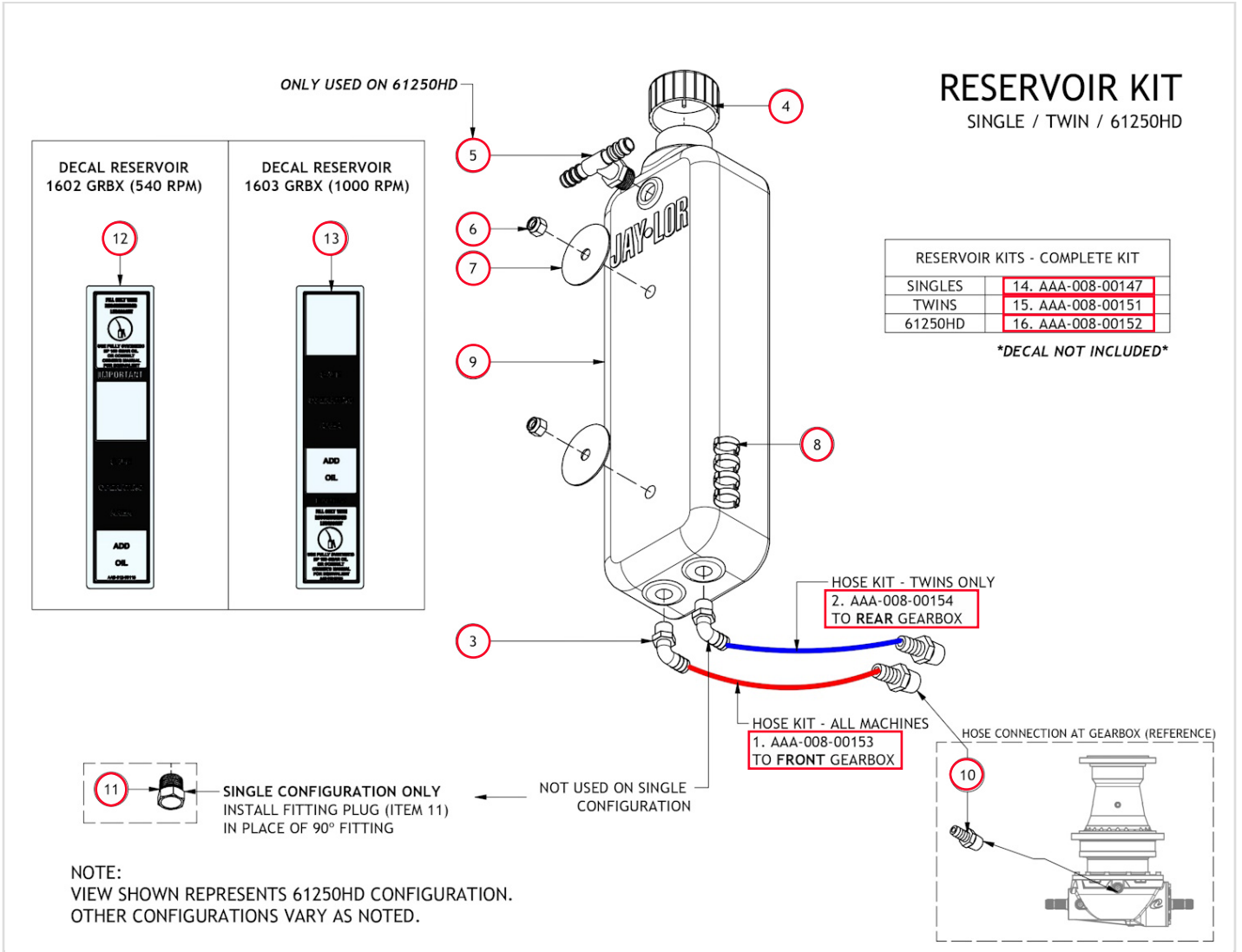
# DRIVELINE

MECHANICAL AND HYDRAULIC POWER TRANSMISSION SYSTEMS

INCLUDES DRIVELINE ASSEMBLIES, GEARBOX-RELATED KITS, GREASE SYSTEMS, AND  
POWER TRANSMISSION OPTIONS FOR ALL MODELS.



Pos	SKU	Description	Qty	Remark
-----	-----	-------------	-----	--------



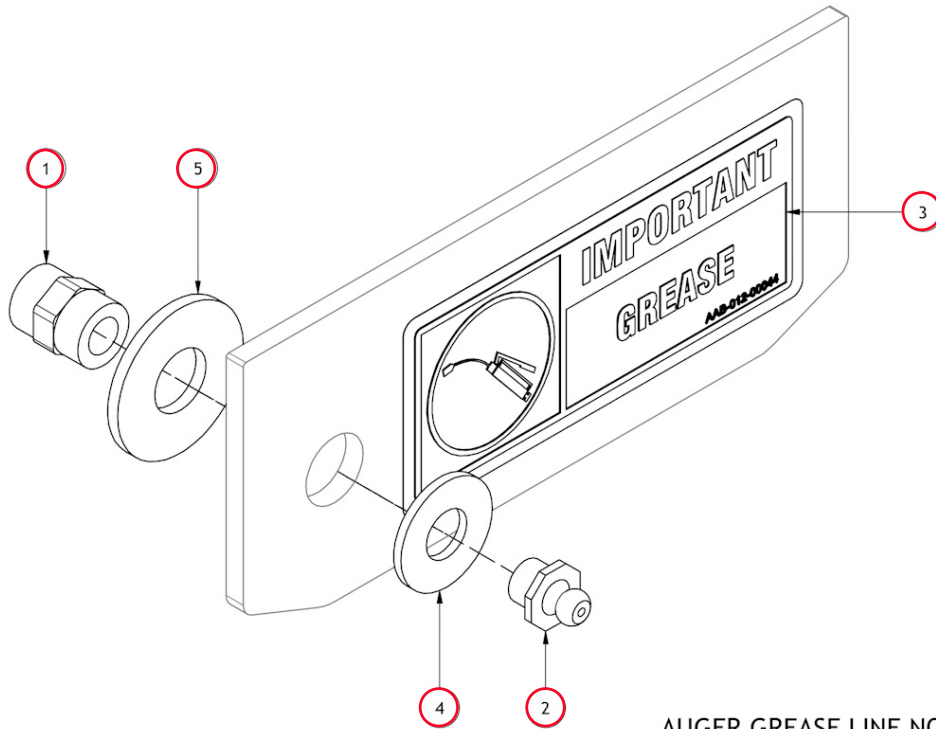
Pos	SKU	Description	Qty	Remark
1	AAA-008-00153	6000 SERIES OIL RESERVOIR HOSE 1/2" X 90"L	1	
2	AAA-008-00154	6000 SERIES OIL RESERVOIR HOSE 1/2" X 180"L	1	TWINS ONLY
3	AAB-008-00126	1/2" MPT X 1/2" BARB 90 DEGREE WHITE NYLON FITTING	2	
4	AAB-008-00188	6K RSVR CAP VENTED PLASTIC RSVR 2-1/4DIA	1	
5	AAB-009-01096	FIT TEE 1/2 BARB X 1/2 BARB X 1/2 MNPT BRASS FITTING	1	61250HD ONLY
6	AAB-015-20012	NUT HEX LOCK NYLON 3/8 GRD 2	2	
7	AAB-015-30042	WSHR FLAT FNDR 3/8 X 2 OD ZINC	2	
8	AAB-015-40024	CLAMP TWO EAR SIZE 22 (FOR 1/2" HOSE)	4	
9	AAA-008-00155	BREVINI RSVR OIL	1	
9	AAB-008-00184	JAYLOR GRBX RSVR OPN LOOP V2	1	
10	AAB-008-00127	FIT 8 MNPT X 1/2" BARB	2	
11	AAB-009-10094	FIT PLUG 1/2 MNPT NYLON	1	ONLY ON SINGLE MIXERS
12	AAB-012-00113	DECAL RESERVOIR 1602 GRBX (540 RPM)	1	
13	AAB-012-00114	DECAL RESERVOIR 1603 GRBX (1000 RPM)	1	

---

<b>Pos</b>	<b>SKU</b>	<b>Description</b>	<b>Qty</b>	<b>Remark</b>
14	AAA-008-00147	JAYLOR GRBX RSVR KIT 1602/1603	1	
15	AAA-008-00151	JAYLOR TWIN GRBX RSVR KIT 1602/1603	1	
16	AAA-008-00152	JAYLOR TWIN GRBX RSVR KIT BREVINI	1	

---

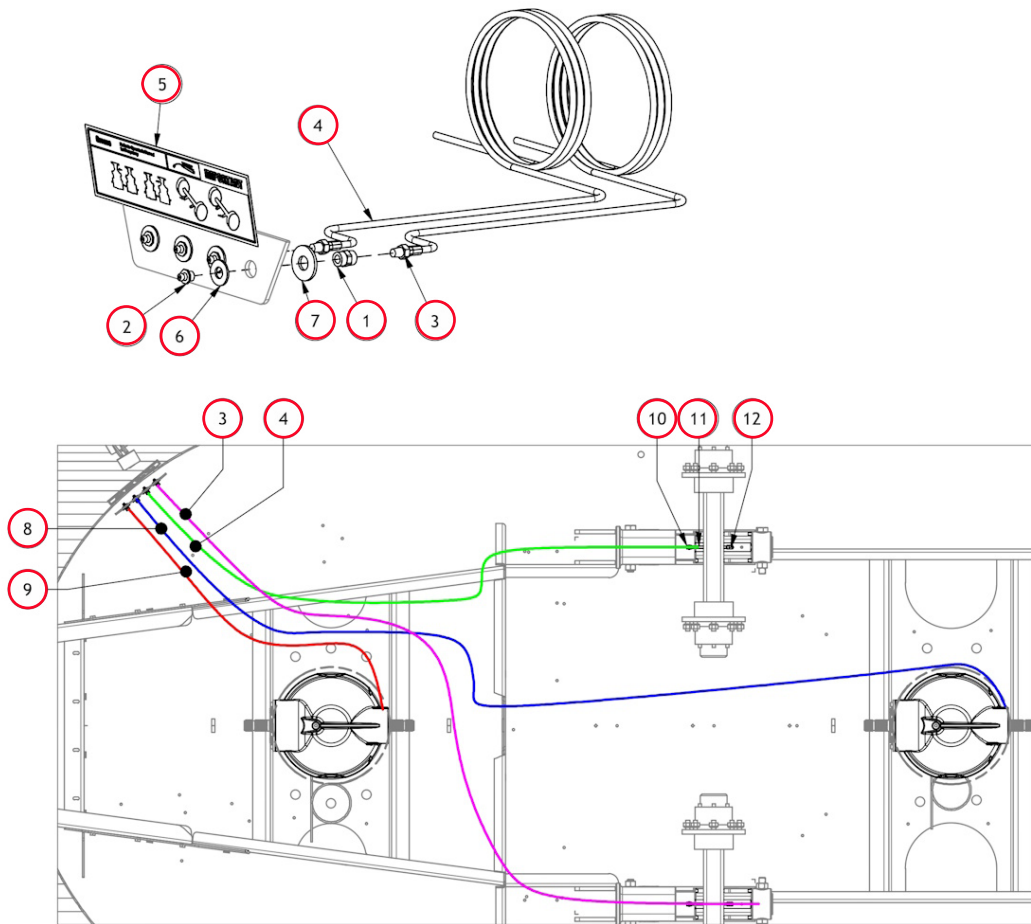
### GREASE KIT - SINGLE



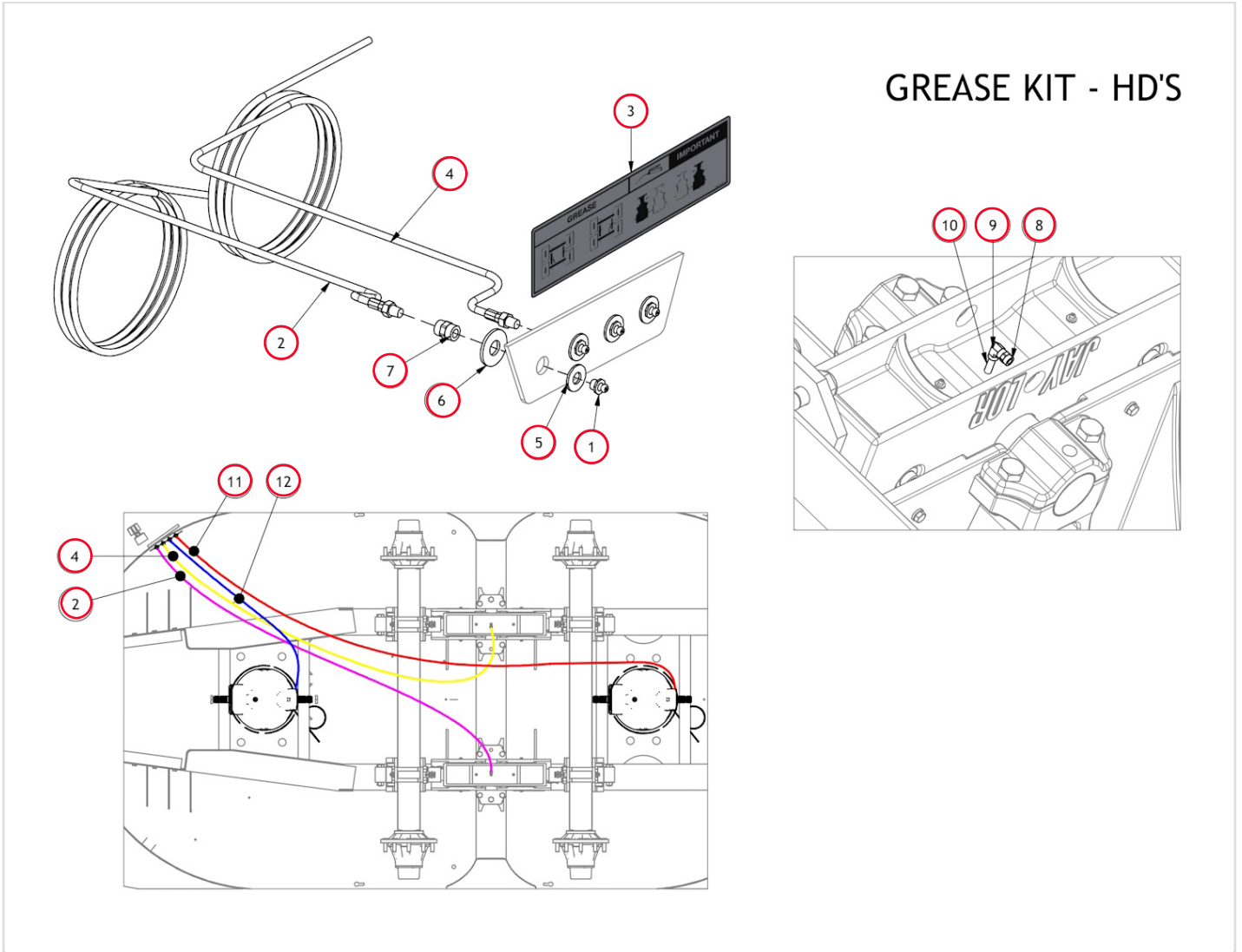
AUGER GREASE LINE NOT DISPLAYED  
 6. AAB-008-00129

Pos	SKU	Description	Qty	Remark
1	AAB-008-00030	FIT 2 FNPT X 2 FNPT	1	
2	AAB-008-00031	FIT GREASE NIPPLE 1/8 MNPT	1	
3	AAB-012-00044	DECAL IMPORTANT GREASE	1	
4	AAB-015-30012	WSHR FLAT 3/8 USS	1	
5	AAB-015-30013	WSHR FLAT 1/2 USS	1	
6	AAB-008-00129	CTRL GREASE LINE FRT GRBX 2 MNPT X 2MNPT X 102L / SAE100R7 THERMAL PLASTIC	1	

## GREASE KIT - TWINS



Pos	SKU	Description	Qty	Remark
1	AAB-008-00030	FIT 2 FNPT X 2 FNPT	4	
2	AAB-008-00031	FIT GREASE NIPPLE 1/8 MNPT	4	
3	AAB-008-00131	CTRL GREASE LINE LTH WB 2MNPT X 2MNPT X 162L / SAE100R7 THERMAL PLASTIC	1	
4	AAB-008-00132	CTRL GREASE LINE RTH WB 2MNPT X 2MNPT X 198L SAE100R7 THERMAL PLASTIC	1	
5	AAB-012-00111	DECAL CENTRAL GREASE TWIN MODELS	1	
6	AAB-015-30012	WSHR FLAT 3/8 USS	4	
7	AAB-015-30013	WSHR FLAT 1/2 USS	4	
8	AAB-008-00130	CTRL GREASE LINE REAR GRBX 2MNPT X 2MNPT X 220L / SAE100R7 THERMAL PLASTIC	1	
9	AAB-008-00129	CTRL GREASE LINE FRT GRBX 2 MNPT X 2MNPT X 102L / SAE100R7 THERMAL PLASTIC	1	
10	AAB-008-00030	FIT 2 FNPT X 2 FNPT	2	
11	AAB-008-00139	PIPE NIPPLE 1/8 MNPT X 6L (GALV)	2	
12	AAB-008-00128	2 MNPT X 2 FNPT 90 DEGREE FITTING (BRENNAN 5502-02-02-FG ELBOW)	2	

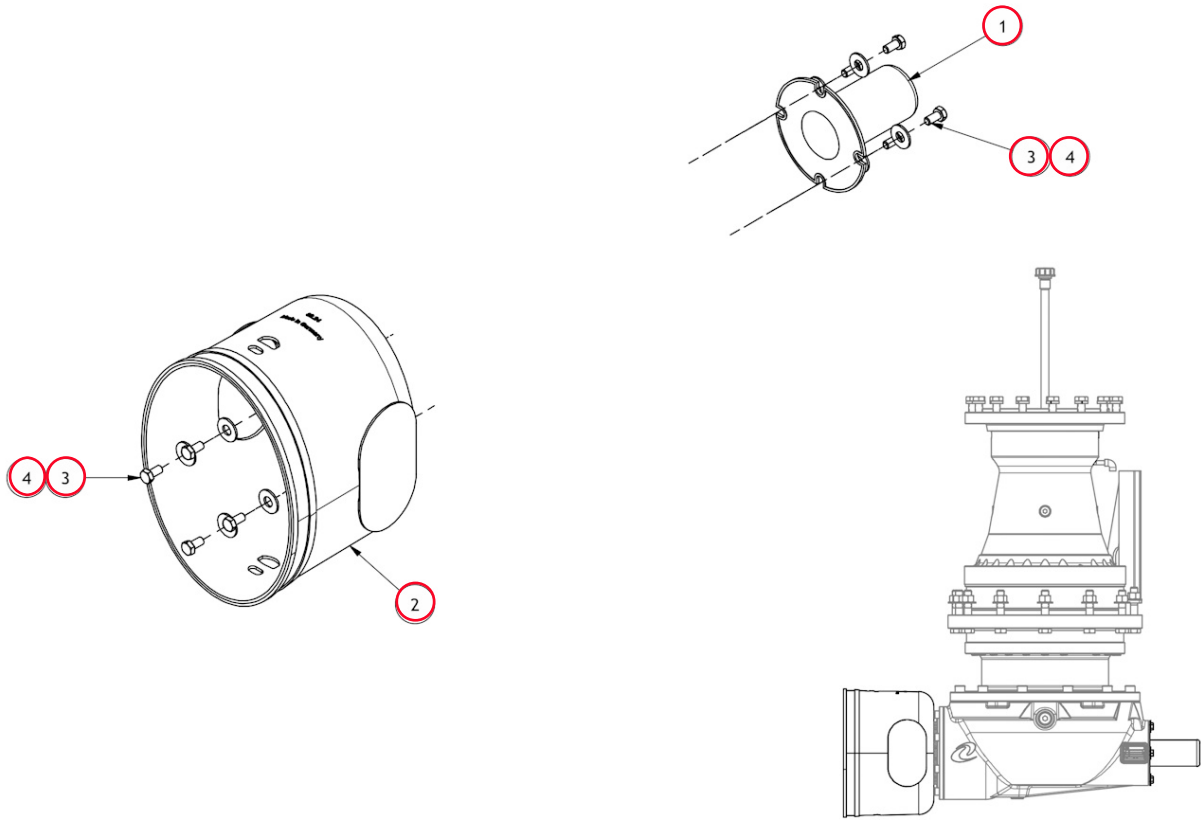


GREASE KIT - HD'S

Pos	SKU	Description	Qty	Remark
1	AAB-008-00031	FIT GREASE NIPPLE 1/8 MNPT	4	
2	AAB-008-00131	CTRL GREASE LINE LTH WB 2MNPT X 2MNPT X 162L / SAE100R7 THERMAL PLASTIC	1	
3	AAB-012-00120	DECAL CENTRAL GREASE HD MODELS	1	
4	AAB-008-00132	CTRL GREASE LINE RTH WB 2MNPT X 2MNPT X 198L SAE100R7 THERMAL PLASTIC	1	
5	AAB-015-30012	WSHR FLAT 3/8 USS	4	
6	AAB-015-30013	WSHR FLAT 1/2 USS	4	
7	AAB-008-00030	FIT 2 FNPT X 2 FNPT	4	
8	AAB-008-00030	FIT 2 FNPT X 2 FNPT	2	
9	AAB-008-00128	2 MNPT X 2 FNPT 90 DEGREE FITTING (BRENNAN 5502-02-02-FG ELBOW)	2	
10	AAB-008-00108	PIPE NIPPLE 1/8 MNPT X 1-1/2	2	
11	AAB-008-00130	CTRL GREASE LINE REAR GRBX 2MNPT X 2MNPT X 220L / SAE100R7 THERMAL PLASTIC	1	
12	AAB-008-00129	CTRL GREASE LINE FRT GRBX 2 MNPT X 2MNPT X 102L / SAE100R7 THERMAL PLASTIC	1	

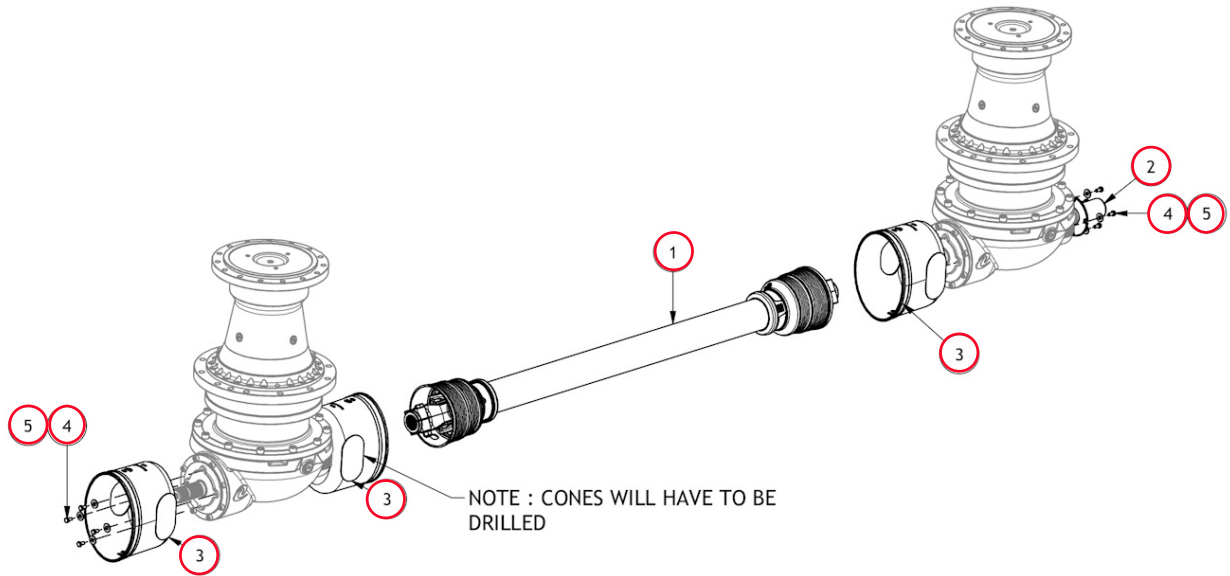
# DRIVELINE KIT (SINGLES)

DRIVE KIT SINGLES  
6350, 6425, 6425AT, 6400, 6575



Pos	SKU	Description	Qty	Remark
1	AAB-007-00171	SHIELD FOR REAR SHAFT ON THROUGH SHAFT GRBX	1	
2	AAB-007-00323	PTO COVER BLACK FOR DRIVESHAFT 275MM X217MM X 180MM	1	
3	AAB-015-10078	BOLT HEX 8MM X 16MM GRD 8.8	8	
4	AAB-015-30012	WSHR FLAT 3/8 USS	8	

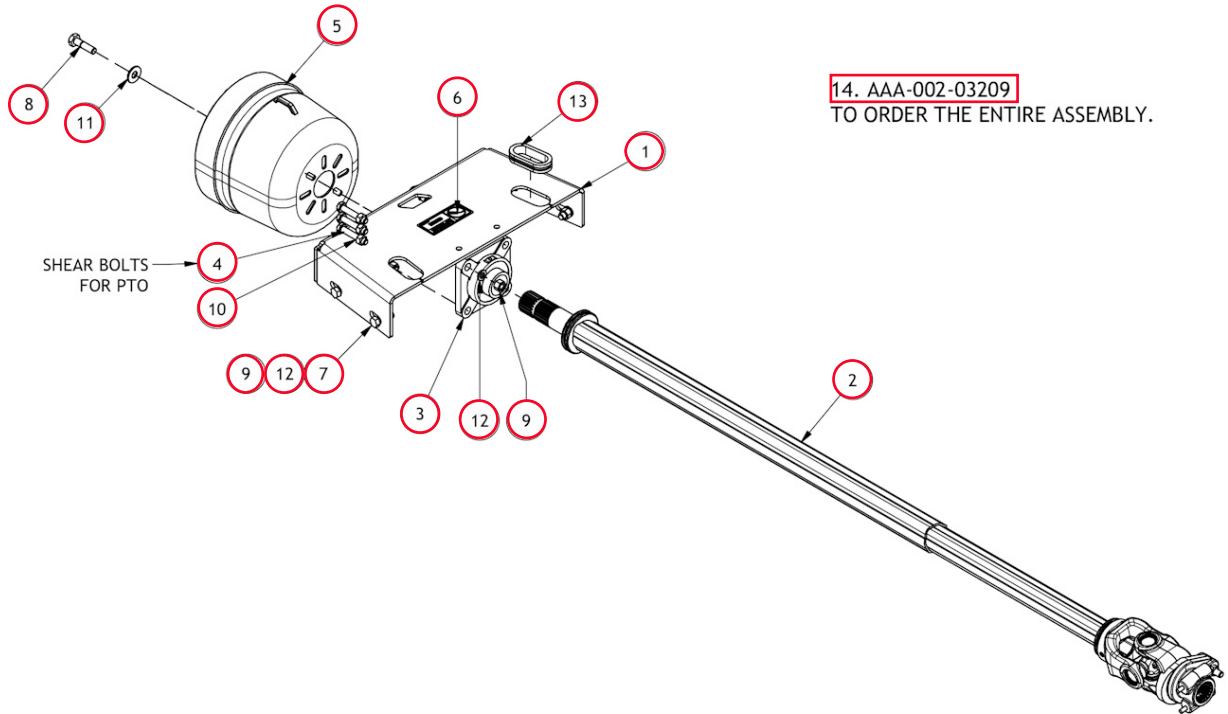
## DRIVELINE KIT (TWIN)



Pos	SKU	Description	Qty	Remark
1	AAB-007-00589	PTO NUM 8 1-3/4F 20 SP X 1-3/4F 20SP X 51.97/80.31	1	
2	AAB-007-00171	SHIELD FOR REAR SHAFT ON THROUGH SHAFT GRBX	1	ALL MODELS (EXCEPT 61250HD)
2	AAB-007-00819	PTO TAIL SHAFT COVER (BREVINI 25KNM GRBX)	1	61250HD ONLY
3	AAB-007-00323	PTO COVER BLACK FOR DRIVESHAFT 275MM X217MM X 180MM	3	
4	AAB-015-10078	BOLT HEX 8MM X 16MM GRD 8.8	16	
5	AAB-015-30012	WSHR FLAT 3/8 USS	16	

## STRAIGHT DRIVELINE

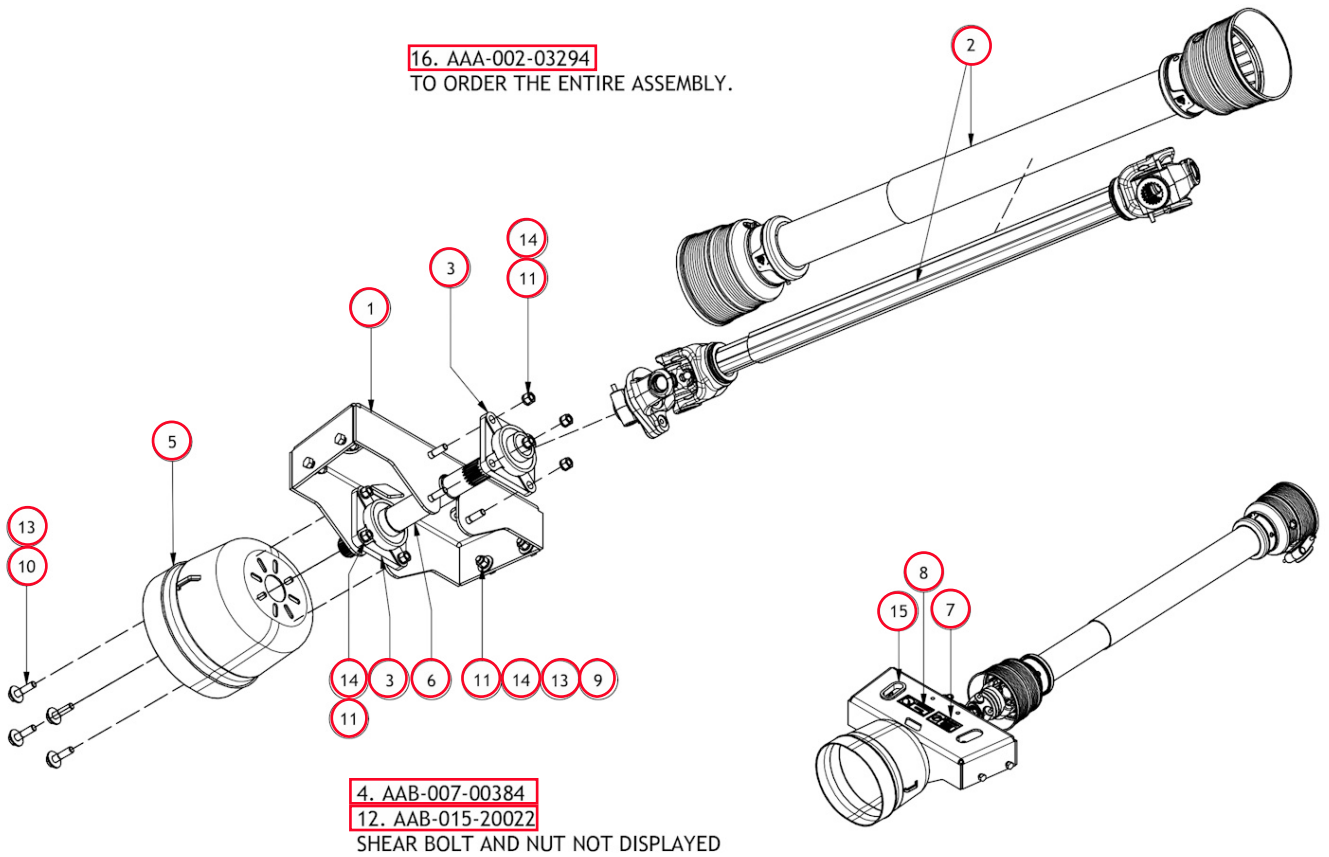
APPLIES TO NON-HD AND 6425AT MACHINES



Pos	SKU	Description	Qty	Remark
1	AAA-002-03208-P3	MNT FLNG BRNG 6000 SERIES - BLACK	1	
2	AAB-007-00160	PTO NUM 8 1-3/4M 20SP X 1-3/4F 20SP SB X 44.49/69.29	1	
3	AAB-007-00290	BRNG FLNG 1-3/4 UCF 20928	1	
4	AAB-007-00384	SHEAR BOLT AND NUT 3 PACK 12MM X 65MM GRD 8.8	3	
5	AAB-007-00817	IICS/CONE BLACK WITH RUBR EXT (517000E03)	1	
6	AAB-012-00044	DECAL IMPORTANT GREASE	1	
7	AAB-015-10063	BOLT HEX 1/2 X 1-1/2 UNC GRD 5	4	
8	AAB-015-10064	BOLT HEX 1/2 X 2 UNC GRD 5	4	
9	AAB-015-20011	NUT HEX 1/2 UNC GRD 5	8	
10	AAB-015-20022	NUT HEX LOCK ALL STL 12MM	3	
11	AAB-015-30013	WSHR FLAT 1/2 USS	4	
12	AAB-015-30018	WSHR LOCK 1/2	8	
13	AAB-015-50000	GROMMET 2-3/8ID	1	
14	AAA-002-03209	STRAIGHT DRVLN KIT 6000 SNGLS & TWINS	1	

# STRAIGHT DRIVELINE

APPLIES TO HD AND 6850AT MACHINES



Pos	SKU	Description	Qty	Remark
1	AAA-002-03293-P3	6K STRAIGHT DRIVELINE HD/AT - BLACK	1	
2	AAB-007-00161	PTO NUM 8 1-3/4F 20SP X 1-3/4F 20SP SB X 48.03/73.82	1	
3	AAB-007-00290	BRNG FLNG 1-3/4 UCF 20928	2	
4	AAB-007-00384	SHEAR BOLT AND NUT 3 PACK 12MM X 65MM GRD 8.8	3	
5	AAB-007-00817	IICS/CONE BLACK WITH RUBR EXT (517000E03)	1	
6	AAB-007-01520	PTO SHAFT 1-3/4M 20SP X 1-3/4M 20SP X 17 IN, 1045	1	
7	AAB-012-00043	DECAL IMPORTANT USE PROPER SHEAR BOLTS	1	
8	AAB-012-00044	DECAL IMPORTANT GREASE	1	
9	AAB-015-10063	BOLT HEX 1/2 X 1-1/2 UNC GRD 5	4	
10	AAB-015-10064	BOLT HEX 1/2 X 2 UNC GRD 5	8	
11	AAB-015-20011	NUT HEX 1/2 UNC GRD 5	12	
12	AAB-015-20022	NUT HEX LOCK ALL STL 12MM	3	
13	AAB-015-30013	WSHR FLAT 1/2 USS	12	
14	AAB-015-30018	WSHR LOCK 1/2	12	
15	AAB-015-50000	GROMMET 2-3/8ID	1	

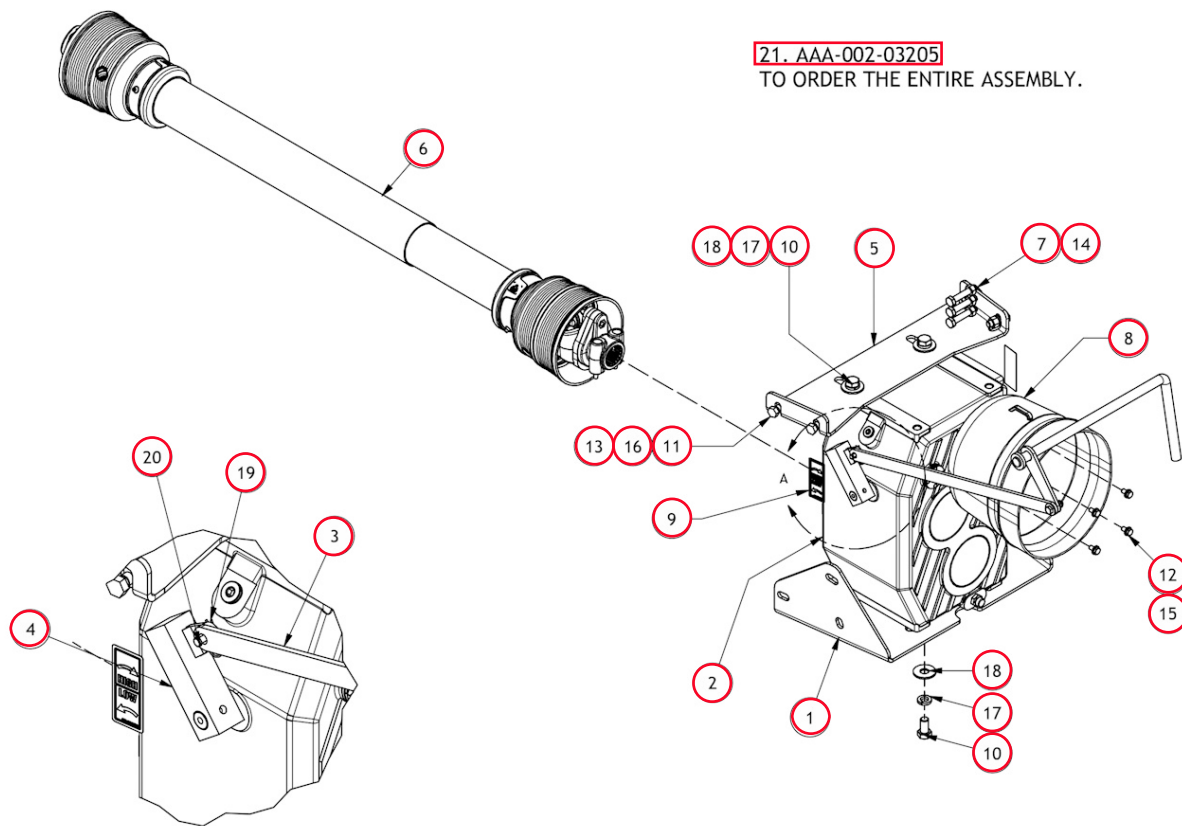
---

<b>Pos</b>	<b>SKU</b>	<b>Description</b>	<b>Qty</b>	<b>Remark</b>
16	AAA-002-03294	STRAIGHT DRVLN COMPONENTS KIT 6K HD/AT	1	

---

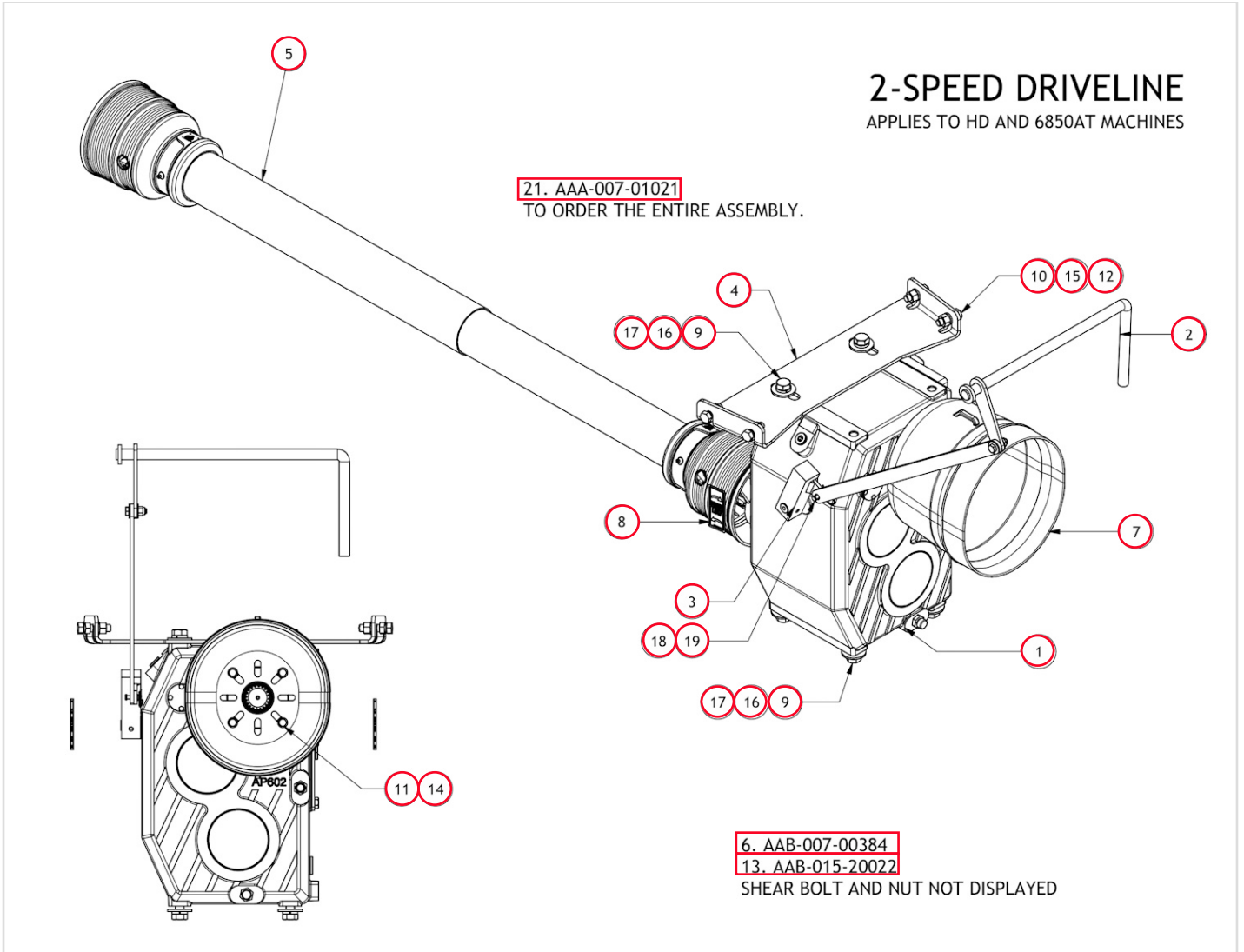
## 2-SPEED DRIVELINE

APPLIES TO NON-HD AND 6425AT MACHINES



Pos	SKU	Description	Qty	Remark
1	AAA-002-03206-P3	OMNI/GB AP602 2 SPD LWR MNT 1/4T	1	
2	AAA-007-00832-P3	GRBX 2 SPD AP602 (1.3:1) PAINTED	1	
3	AAA-007-01013	2 SPD LINKAGE KIT 6K	1	
4	AAA-007-01019-P3	2 SPD INVERTED LEVER WELDMENT 6K - BLACK	1	
5	AAA-007-01020-P3	2 SPD UPPR MNT - 6K - 1/4T - BLACK	1	
6	AAB-007-00161	PTO NUM 8 1-3/4F 20SP X 1-3/4F 20SP SB X 48.03/73.82	1	
7	AAB-007-00384	SHEAR BOLT AND NUT 3 PACK 12MM X 65MM GRD 8.8	3	
8	AAB-007-00817	IICS/CONE BLACK WITH RUBR EXT (517000E03)	1	
9	AAB-012-00045	DECAL 2-SPD SHIFTER	2	
10	AAB-015-10055	BOLT HEX 16MM X 30MM GRD 10.9	6	
11	AAB-015-10063	BOLT HEX 1/2 X 1-1/2 UNC GRD 5	4	
12	AAB-015-10078	BOLT HEX 8MM X 16MM GRD 8.8	4	
13	AAB-015-20011	NUT HEX 1/2 UNC GRD 5	4	
14	AAB-015-20022	NUT HEX LOCK ALL STL 12MM	3	
15	AAB-015-30011	WSHR FLAT 5/16 USS	4	

<b>Pos</b>	<b>SKU</b>	<b>Description</b>	<b>Qty</b>	<b>Remark</b>
16	AAB-015-30018	WSHR LOCK 1/2	4	
17	AAB-015-30019	WSHR LOCK 5/8	6	
18	AAB-015-30020	WSHR FLAT 5/8 USS	6	
19	AAB-015-40005	HTCH PIN CLIP 1/16DIA X 1-5/8L	1	
20	AAB-015-40022	CLEVIS PIN 1/4 X 1L	1	
21	AAA-002-03205	OMNI/GB AP602 2 SPD (1.3:1) - SNGL & TWIN	1	



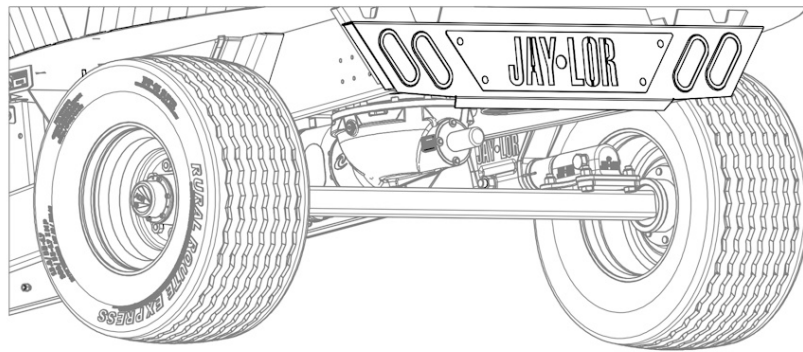
Pos	SKU	Description	Qty	Remark
1	AAA-007-00832-P3	GRBX 2 SPD AP602 (1.3:1) PAINTED	1	
2	AAA-007-01013	2 SPD LINKAGE KIT 6K	1	
3	AAA-007-01019-P3	2 SPD INVERTED LEVER WELDMENT 6K - BLACK	1	
4	AAA-007-01020-P3	2 SPD UPPR MNT - 6K - 1/4T - BLACK	1	
5	AAB-007-00161	PTO NUM 8 1-3/4F 20SP X 1-3/4F 20SP SB X 48.03/73.82	1	
6	AAB-007-00384	SHEAR BOLT AND NUT 3 PACK 12MM X 65MM GRD 8.8	3	
7	AAB-007-00817	IICS/CONE BLACK WITH RUBR EXT (517000E03)	1	
8	AAB-012-00045	DECAL 2-SPD SHIFTER	2	
9	AAB-015-10055	BOLT HEX 16MM X 30MM GRD 10.9	6	
10	AAB-015-10063	BOLT HEX 1/2 X 1-1/2 UNC GRD 5	4	
11	AAB-015-10078	BOLT HEX 8MM X 16MM GRD 8.8	4	
12	AAB-015-20011	NUT HEX 1/2 UNC GRD 5	4	
13	AAB-015-20022	NUT HEX LOCK ALL STL 12MM	3	
14	AAB-015-30011	WSHR FLAT 5/16 USS	4	
15	AAB-015-30018	WSHR LOCK 1/2	4	

<b>Pos</b>	<b>SKU</b>	<b>Description</b>	<b>Qty</b>	<b>Remark</b>
16	AAB-015-30019	WSHR LOCK 5/8	6	
17	AAB-015-30020	WSHR FLAT 5/8 USS	6	
18	AAB-015-40005	HTCH PIN CLIP 1/16DIA X 1-5/8L	1	
19	AAB-015-40022	CLEVIS PIN 1/4 X 1L	1	
20	AAA-007-01021	2 SPD UPPR MNT KIT HD/AT - 6K	1	

# ROAD ACCESSORIES

## SAFETY AND TRANSPORT-RELATED EQUIPMENT

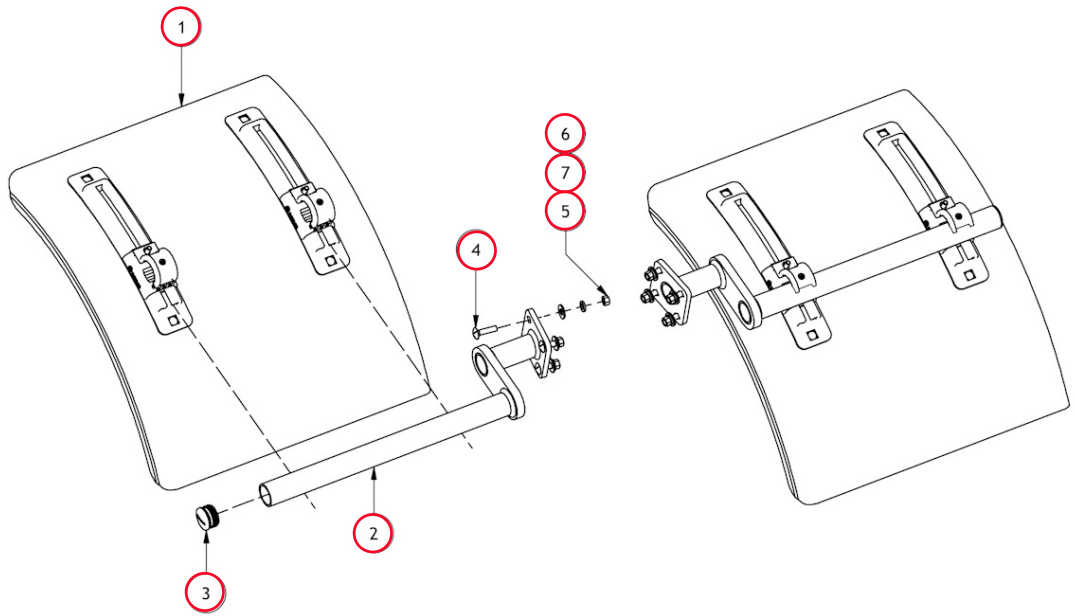
INCLUDES LIGHTING, FENDERS, AND SAFETY COMPONENTS REQUIRED FOR ROAD TRANSPORT AND REGULATORY COMPLIANCE.



Pos	SKU	Description	Qty	Remark
-----	-----	-------------	-----	--------

## FENDERS ASSEMBLY

MULTIPLE CONFIGURATIONS AVAILABLE.

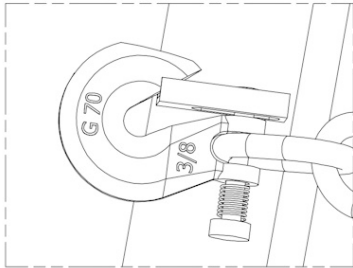


NOTE:  
 FENDER SHIELD AND SUPPORT COMPONENTS (ITEMS 1 AND 2) VARY DEPENDING ON:  
 - MIXER MODEL  
 - TIRE SIZE  
 - DOOR CONFIGURATION  
 CONTACT SERVICE FOR CORRECT KIT SELECTION.

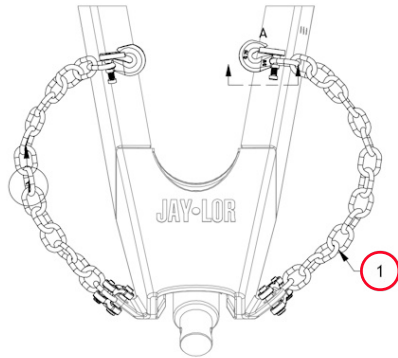
Pos	SKU	Description	Qty	Remark
3	AAB-004-00261	TUBE CAP DK8410	2	
4	AAB-015-10061	BOLT CARRIAGE 3/8 X 1-1/2 UNC GRD 5	8	
5	AAB-015-20017	NUT HEX 3/8 UNC GRD 2	8	
6	AAB-015-30012	WSHR FLAT 3/8 USS	8	
7	AAB-015-30017	WSHR LOCK 3/8	8	

## SAFETY CHAINS

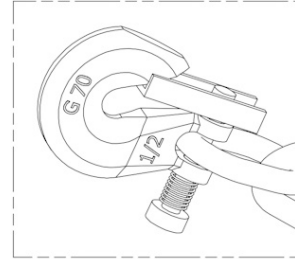
3/8" DIA - 20,000 LBS MAX  
 APPLIES TO NON-HD MACHINES AND 6425AT



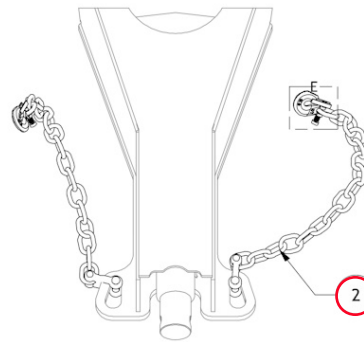
DETAIL A  
 SCALE 1/2



1/2" DIA - 35,000 LBS MAX  
 APPLIES TO HD MACHINES AND 6850AT

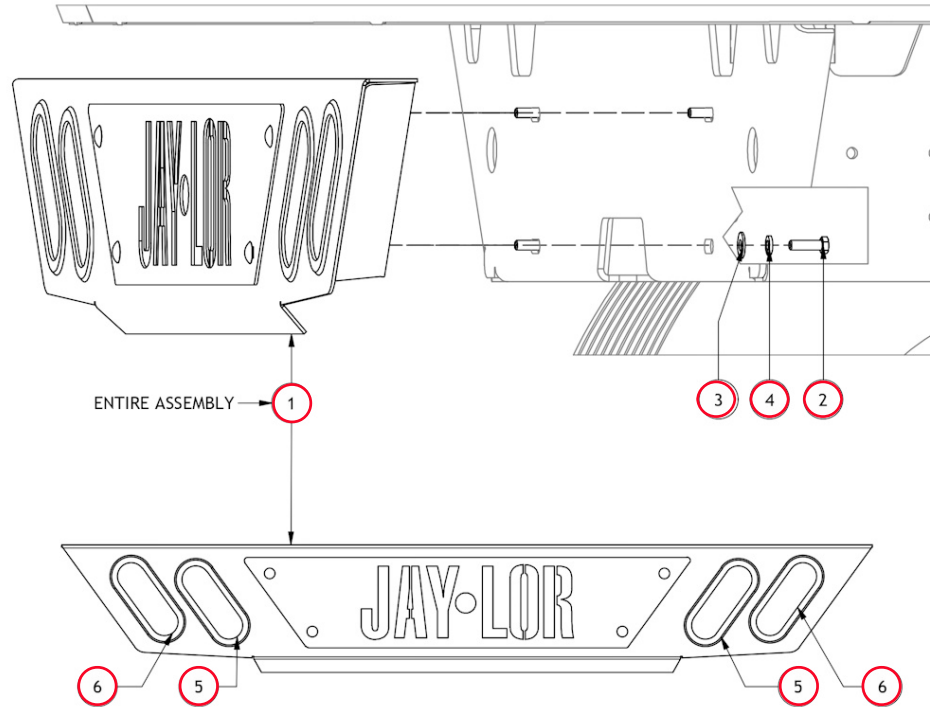


DETAIL E  
 SCALE 1/2



Pos	SKU	Description	Qty	Remark
1	AAB-002-00041	SAFETY CHAIN 3/8DIA X 5FT CLEVIS AND SPRING HOOK 20000LB MAX	2	
2	AAB-002-00042	SAFETY CHAIN 1/2DIA X 5FT CLEVIS AND SPRING HOOK 35000LB MAX	2	

# LIGHT BAR ASSEMBLY



Pos	SKU	Description	Qty	Remark
1	AAA-002-03204	6K-J - LIGHTBAR FINAL ASSY.	1	
2	AAB-015-10111	BOLT HEX 3/8 X 1-1/4 UNC GRD 5	4	
3	AAB-015-30012	WSHR FLAT 3/8 USS	4	
4	AAB-015-30017	WSHR LOCK 3/8	4	
5	AAA-018-00070	6.5" OVAL LED STOP/TAIL LAMP GLOLIGHT W/ GROMMET AND PIGTAIL	2	
6	AAA-018-00071	6.5" OVAL LED LED TAIL/TURN LIGHT GLOLIGHT W/ GROMMET AND PIGTAIL	2	